

4

3

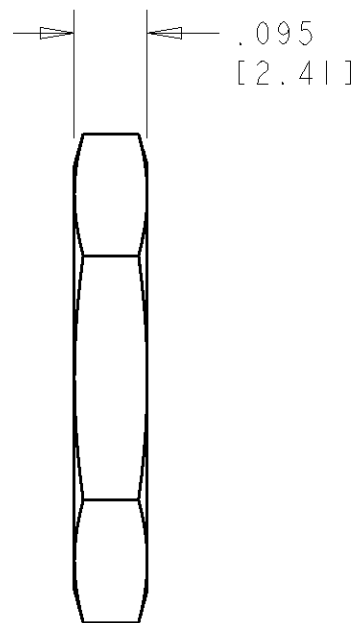
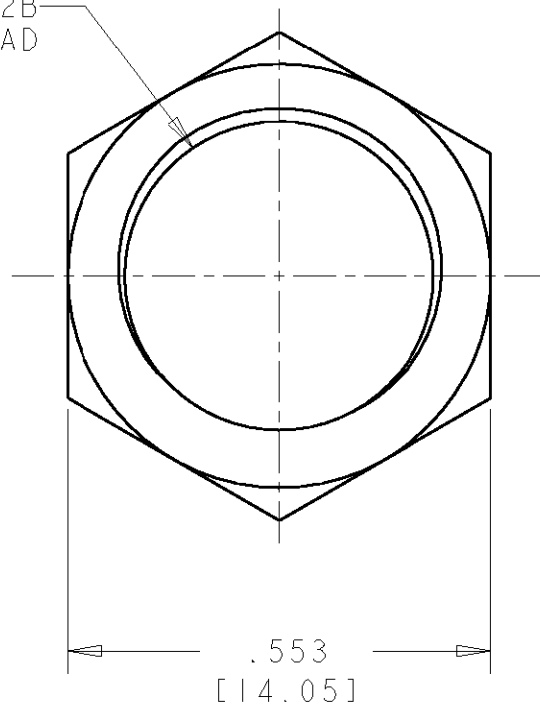
2

1

THIS DRAWING IS UNPUBLISHED. RELEASED FOR PUBLICATION 20  
 © COPYRIGHT 20 BY TYCO ELECTRONICS CORPORATION. ALL RIGHTS RESERVED.

LOC	DIST	REVISIONS			
P	LTR	DESCRIPTION	DATE	DWN	APVD
	A	RELEASED EC 0G3B-0362-03	18JUL2003	SW	HW

7/16-28 UNEF-2B  
 THREAD



1. BULK PACKAGED IN QTY OF 100.

1604197-1  
 PART NUMBER

<small>THIS DRAWING IS A CONTROLLED DOCUMENT FOR TYCO ELECTRONICS CORPORATION          IT IS SUBJECT TO CHANGE AND THE CONTROLLING ENGINEERING ORGANIZATION          SHOULD BE CONTACTED FOR THE LATEST REVISION.</small>		DWN S WIEST 18JUN2002	Tyco Electronics Harrisburg, PA 17105-3608		
DIMENSIONS: in [mm]		CHK G DOUTY 18JUN2002			
		APVD H WAKFEM 18JUL2003	NAME JAM NUT 7/16-28 UNEF-2B MINI CPC		
TOLERANCES UNLESS OTHERWISE SPECIFIED: 0 PLC ±- 1 PLC ±- 2 PLC ±- 3 PLC ±- 4 PLC ±- ANGLES ±-		PRODUCT SPEC -	RESTRICTED TO -		
MATERIAL - FINISH -		APPLICATION SPEC -	SIZE A3	CAGE CODE 00779	DRAWING NO C-1604197
		WEIGHT -	SCALE 4:1		SHEET 1
		CUSTOMER DRAWING		OF 1	REV A

单击下面可查看定价，库存，交付和生命周期等信息

[>>TE Connectivity\(泰科\)](#)