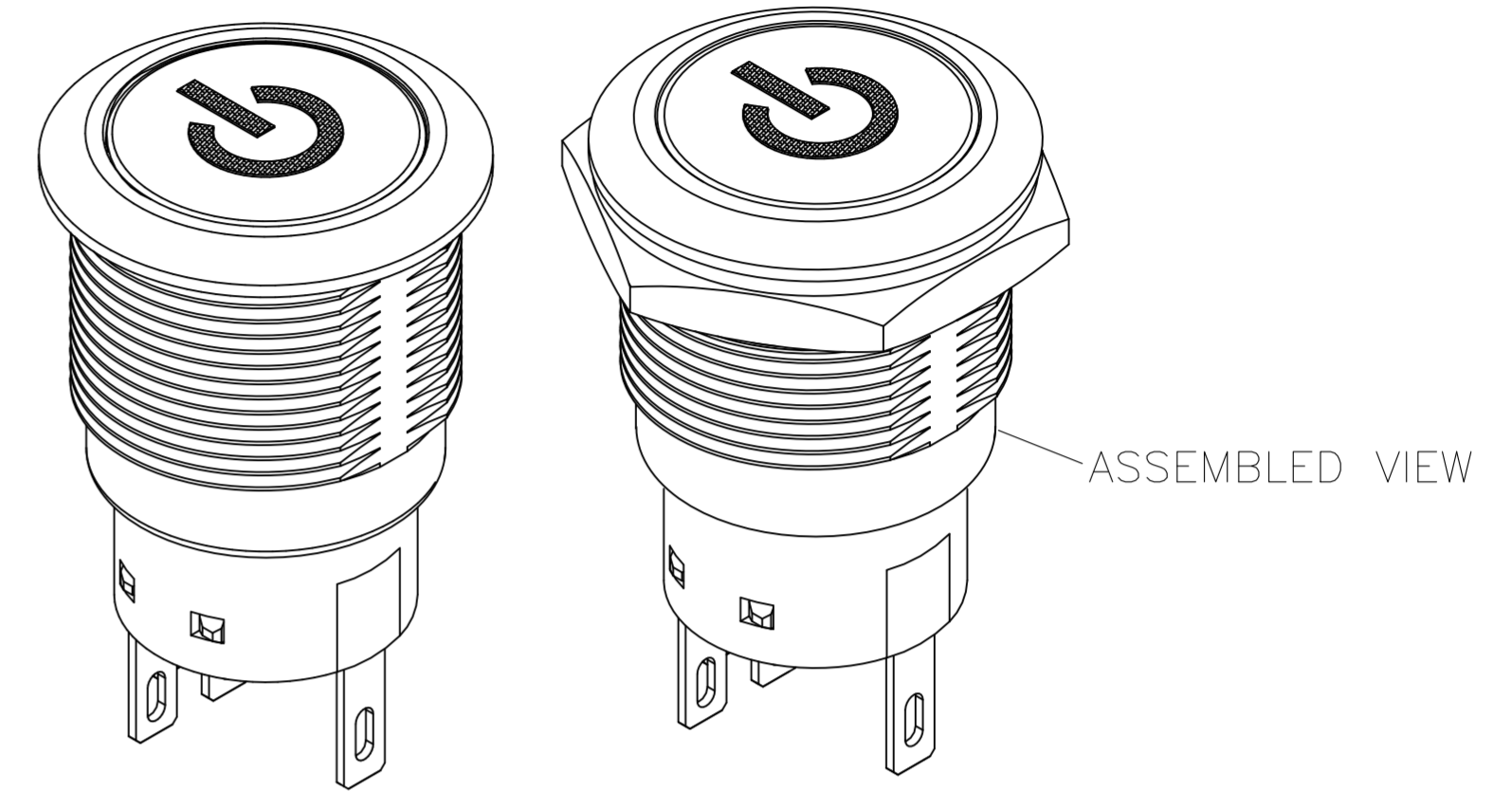
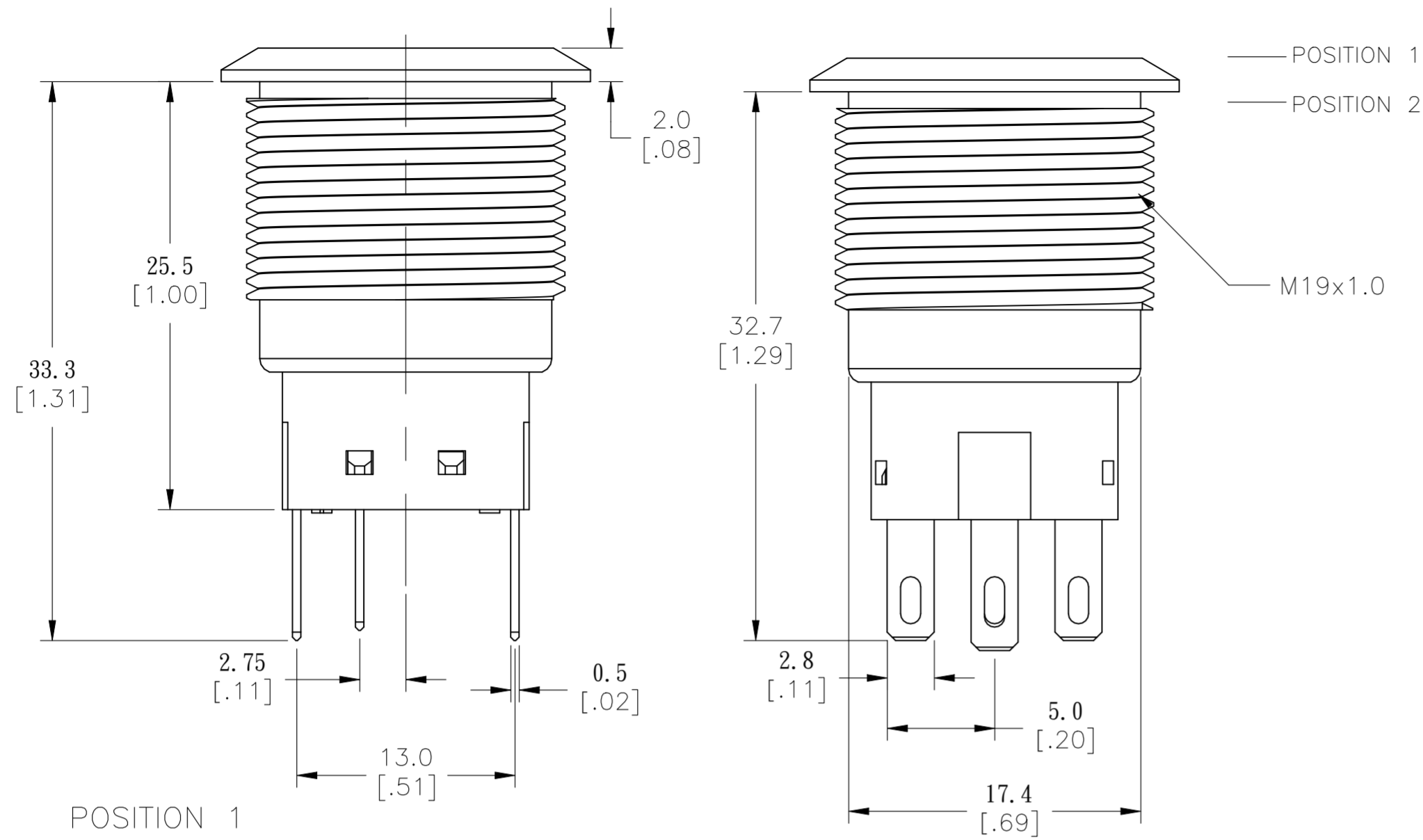


THIS DRAWING IS UNPUBLISHED. RELEASED FOR PUBLICATION  
 © COPYRIGHT - By - ALL RIGHTS RESERVED.

| REVISIONS |     |                           |           |     |      |
|-----------|-----|---------------------------|-----------|-----|------|
| P         | LTR | DESCRIPTION               | DATE      | DWN | APVD |
| C         |     | REVISED PER ECR-21-006029 | 02SEP2021 | VG  | PO   |



**SPECIFICATIONS**

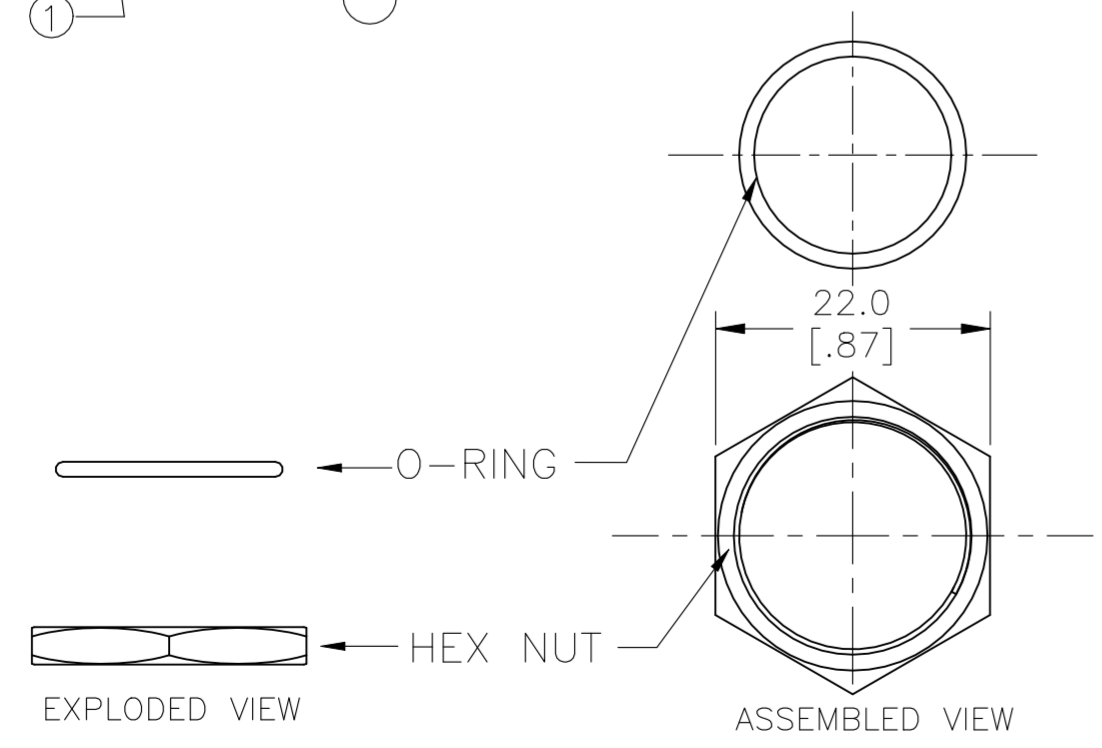
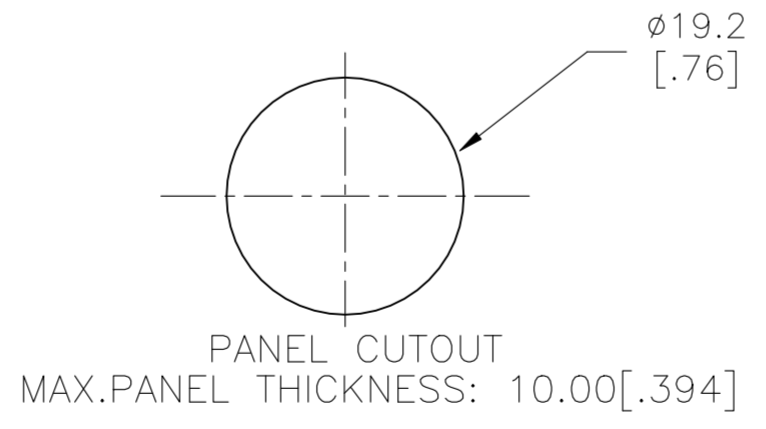
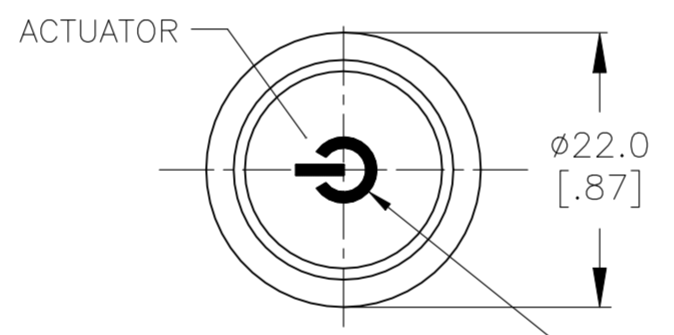
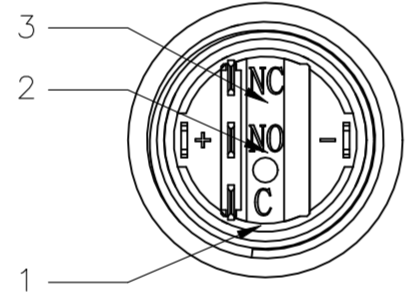
CONTACT RATING: SILVER: 3A @ 250 VAC RESISTIVE  
 GOLD: 0.4VA @ 20VDC OR PEAK AC  
 INSULATION RESISTANCE: 1,000MΩ MIN AT 500VDC  
 DIELECTRIC STRENGTH: 2,000V RMS @ SEA LEVEL  
 CONTACT RESISTANCE: 50 mΩ MAX @ 1A 12VDC (INITIAL VALUE)  
 ELECTRICAL LIFECYCLES: 50,000 MAKE AND BREAK CYCLES AT FULL LOAD

ACTUATION FORCE: SP: 2.5±1 NEWTON, DP: 3.5±1 NEWTON  
 ACTUATION TRAVEL: 3.2mm  
 SEALED PER IP67, IK10 (STAINLESS)  
 OPERATING TEMPERATURE: -20°C TO +55°C  
 MECHANICAL LIFECYCLES: MOMENTARY: 1,000,000 CYCLES  
 LOCKING: 500,000 CYCLES  
 HARDWARE TORQUE: 5-14 N-m

**MATERIALS**

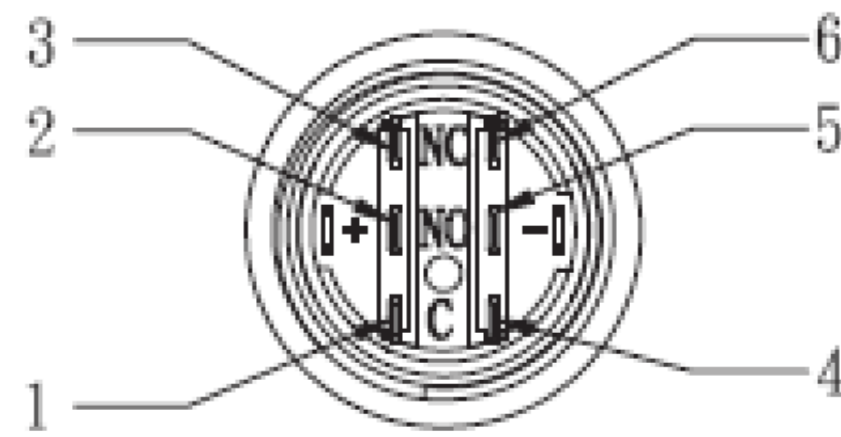
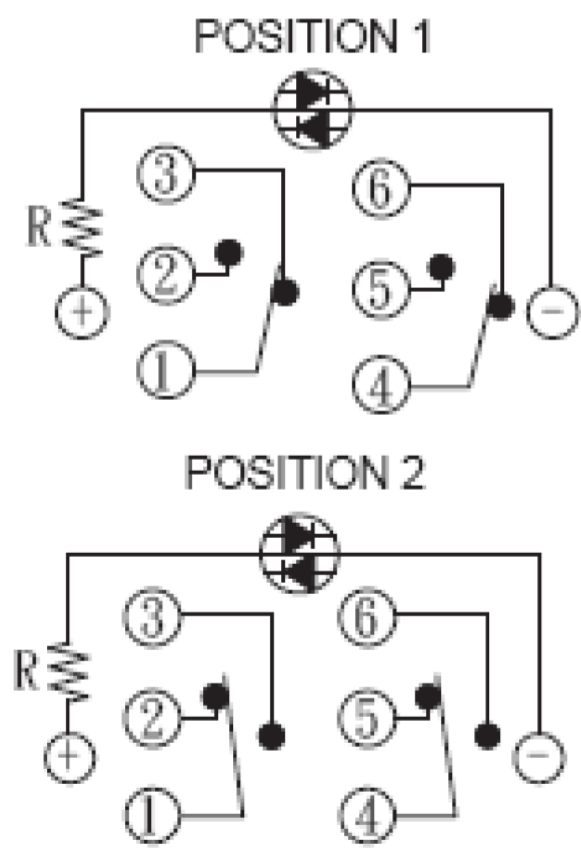
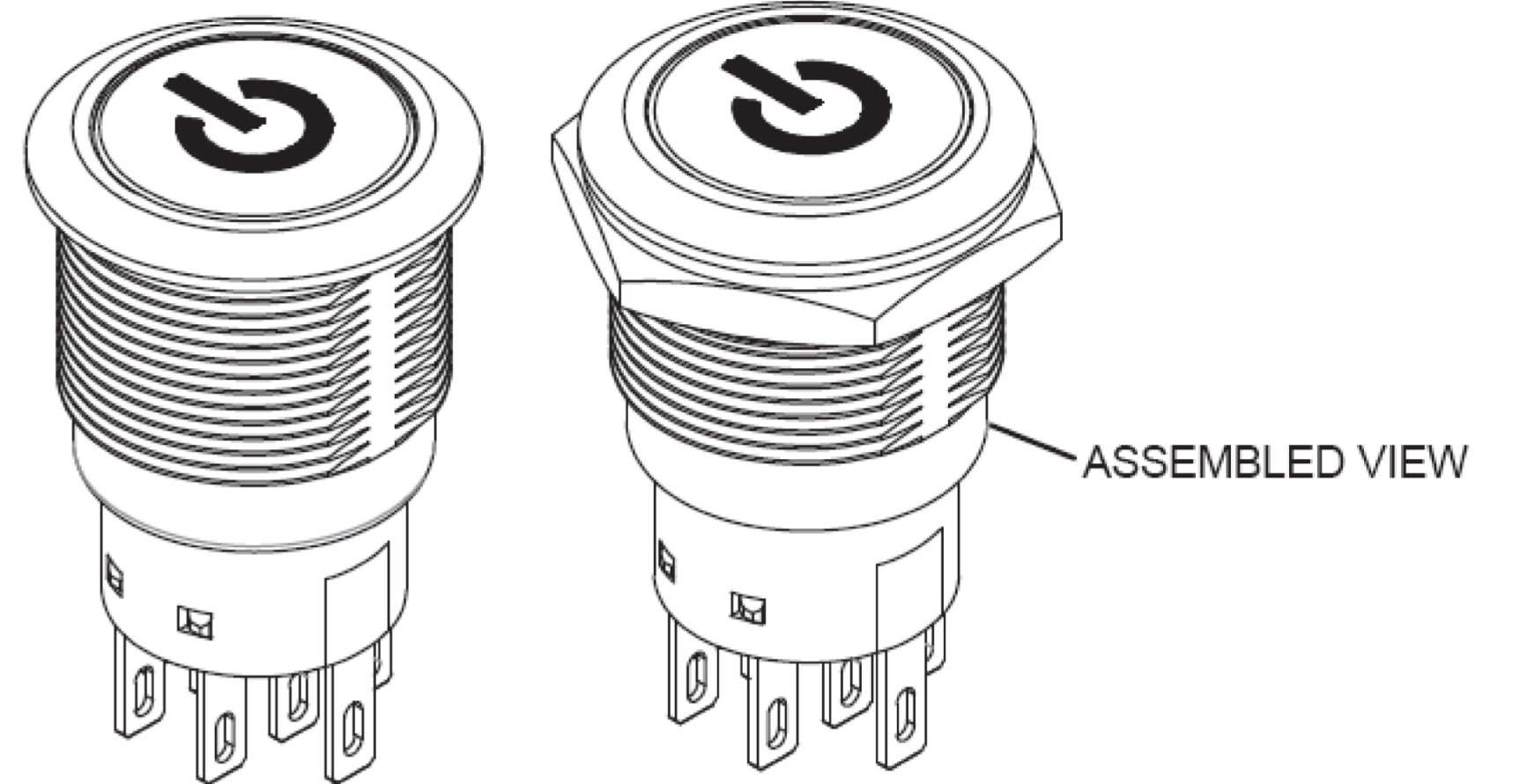
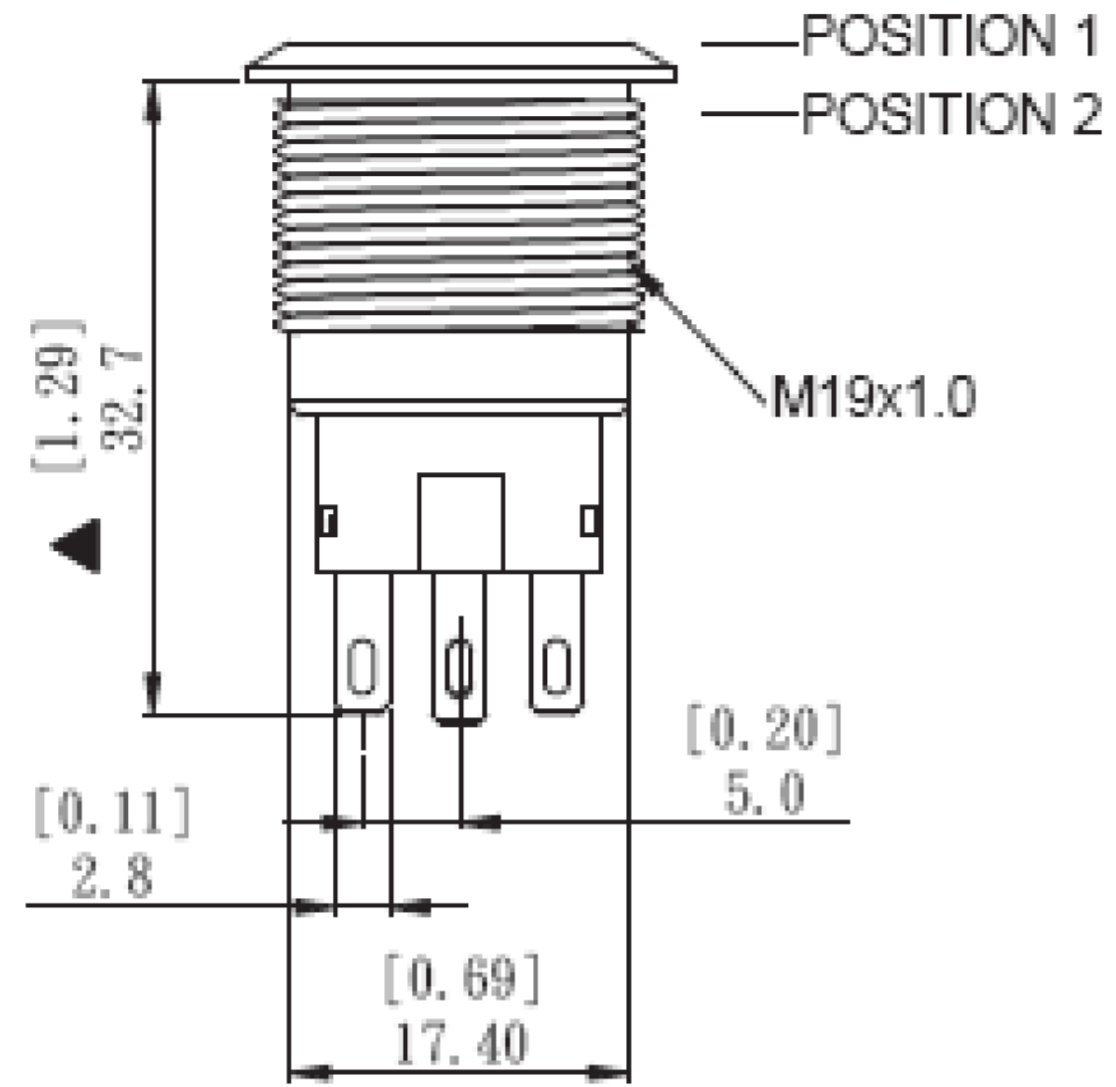
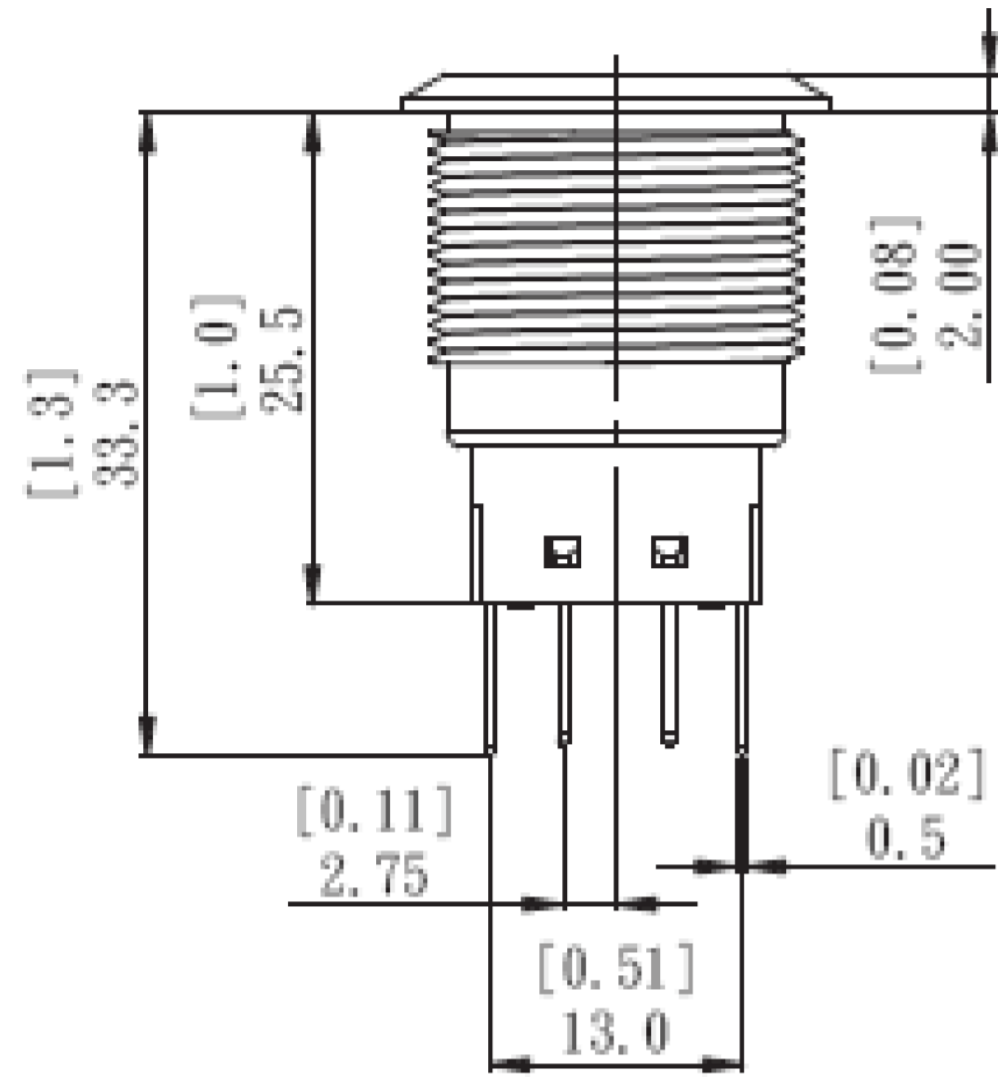
BUSHING: STAINLESS STEEL  
 BASE: PBT (UL 94-V0), PC (UL 94-V2)  
 ACTUATOR: STAINLESS STEEL, PC  
 SEALING: O-RING (SILICONE)  
 TERMINAL/CONTACT: COPPER BASE, SILVER/GOLD PLATED  
 HEX NUT: BRASS BASE, NICKEL PLATED

1 ALL MATERIAL AND FINISHES SHALL COMPLY WITH EU DIRECTIVE 2002/95/EC OF 27JAN2003 (ROHS)



|  |  |                                |  |           |               |
|--|--|--------------------------------|--|-----------|---------------|
| THIS DRAWING IS A CONTROLLED DOCUMENT. |  | DWN 08FEB2016<br>NAGALAKSHMI K |  |           |               |
| DIMENSIONS: mm [INCHES]                |  | CHK 08FEB2016<br>HILL RYAN     |  |           |               |
| TOLERANCES UNLESS OTHERWISE SPECIFIED: |  | APVD 08FEB2016<br>HILL RYAN    | NAME                                   |           |               |
| 0 PLC ± -                              |  | PRODUCT SPEC                   | ANTI-VANDAL SWITCH 19mm POWER LOGO LED |           |               |
| 1 PLC ± -                              |  | APPLICATION SPEC               | SIZE                                   | CAGE CODE | DRAWING NO    |
| 2 PLC ± -                              |  |                                | A2                                     | 00779     | C=2213766     |
| 3 PLC ± -                              |  |                                | WEIGHT                                 | 0         | RESTRICTED TO |
| 4 PLC ± -                              |  |                                | CUSTOMER DRAWING                       | SCALE 6:1 | SHEET 1 OF 3  |
| ANGLES ± -                             |  |                                |  |           | REV C         |
| FINISH                                 |  |                                |  |           |               |


| REVISIONS |     |             |      |     |      |
|-----------|-----|-------------|------|-----|------|
| P         | LTR | DESCRIPTION | DATE | DWN | APVD |
| -         | -   | SEE SHEET 1 | -    | -   | -    |



|  |  |                                |   |           |            |
|--|--|--------------------------------|---|-----------|------------|
| THIS DRAWING IS A CONTROLLED DOCUMENT. |  | DWN 08FEB2016<br>NAGALAKSHMI K |   |           |            |
| DIMENSIONS:<br>mm [INCHES]             |  | CHK 08FEB2016<br>HILL RYAN     |   |           |            |
| TOLERANCES UNLESS OTHERWISE SPECIFIED: |  | APVD 08FEB2016<br>HILL RYAN    | NAME                                      |           |            |
| 0 PLC ± -                              |  | PRODUCT SPEC                   | ANTI-VANDAL SWITCH 19mm<br>POWER LOGO LED |           |            |
| 1 PLC ± -                              |  | APPLICATION SPEC               | SIZE                                      | CAGE CODE | DRAWING NO |
| 2 PLC ± -                              |  | WEIGHT                         | A2  | 00779     | C=2213766  |
| 3 PLC ± -                              |  | MATERIAL                       | RESTRICTED TO                             |           |            |
| 4 PLC ± -                              |  | FINISH                         | CUSTOMER DRAWING                          |           |            |
| ANGLES ± -                             |  | SCALE                          | NTS                                       |           |            |
| FINISH                                 |  | SHEET                          | 2 of 3                                    |           |            |
| MATERIAL                               |  | REV                            | C   |           |            |

| THIS DRAWING IS UNPUBLISHED. |         | RELEASED FOR PUBLICATION |               |                   |                | REVISIONS |     |             |  |  |      |     |      |
|------------------------------|---------|--------------------------|---------------|-------------------|----------------|-----------|-----|-------------|--|--|------|-----|------|
| © COPYRIGHT - By -           |         | ALL RIGHTS RESERVED.     |               |                   |                | P         | LTR | DESCRIPTION |  |  | DATE | DWN | APVD |
| DOUBLE POLE-MOMENTARY        | SILVER  | WHITE                    | 24V           | AV1920P124Q04     | 4-2213766-3    |           |     | SEE SHEET 1 |  |  | -    | -   | -    |
|                              | GOLD    | WHITE                    | 12V           | AV1920P112R04     | 4-2213766-2    |           |     |             |  |  |      |     |      |
| SINGLE POLE-LOCKING          | SILVER  | WHITE                    | 12V           | AV1920P112Q04     | 4-2213766-1    |           |     |             |  |  |      |     |      |
|                              | GOLD    | BLUE                     | 24V           | AV1911P724R04     | 4-2213766-0    |           |     |             |  |  |      |     |      |
|                              | SILVER  | BLUE                     | 24V           | AV1911P724Q04     | 3-2213766-9    |           |     |             |  |  |      |     |      |
|                              | GOLD    | BLUE                     | 12V           | AV1911P712R04     | 3-2213766-8    |           |     |             |  |  |      |     |      |
|                              | SILVER  | BLUE                     | 12V           | AV1911P712Q04     | 3-2213766-7    |           |     |             |  |  |      |     |      |
|                              | GOLD    | GREEN                    | 24V           | AV1911P624R04     | 3-2213766-6    |           |     |             |  |  |      |     |      |
|                              | SILVER  | GREEN                    | 24V           | AV1911P624Q04     | 3-2213766-5    |           |     |             |  |  |      |     |      |
|                              | GOLD    | GREEN                    | 12V           | AV1911P612R04     | 3-2213766-4    |           |     |             |  |  |      |     |      |
|                              | SILVER  | GREEN                    | 12V           | AV1911P612Q04     | 3-2213766-3    |           |     |             |  |  |      |     |      |
|                              | GOLD    | YELLOW                   | 24V           | AV1911P524R04     | 3-2213766-2    |           |     |             |  |  |      |     |      |
|                              | SILVER  | YELLOW                   | 24V           | AV1911P524Q04     | 3-2213766-1    |           |     |             |  |  |      |     |      |
|                              | GOLD    | YELLOW                   | 12V           | AV1911P512R04     | 3-2213766-0    |           |     |             |  |  |      |     |      |
|                              | SILVER  | YELLOW                   | 12V           | AV1911P512Q04     | 2-2213766-9    |           |     |             |  |  |      |     |      |
|                              | GOLD    | RED                      | 24V           | AV1911P324R04     | 2-2213766-8    |           |     |             |  |  |      |     |      |
|                              | SILVER  | RED                      | 24V           | AV1911P324Q04     | 2-2213766-7    |           |     |             |  |  |      |     |      |
|                              | GOLD    | RED                      | 12V           | AV1911P312R04     | 2-2213766-6    |           |     |             |  |  |      |     |      |
|                              | SILVER  | RED                      | 12V           | AV1911P312Q04     | 2-2213766-5    |           |     |             |  |  |      |     |      |
|                              | GOLD    | WHITE                    | 24V           | AV1911P124R04     | 2-2213766-4    |           |     |             |  |  |      |     |      |
|                              | SILVER  | WHITE                    | 24V           | AV1911P124Q04     | 2-2213766-3    |           |     |             |  |  |      |     |      |
|                              | GOLD    | WHITE                    | 12V           | AV1911P112R04     | 2-2213766-2    |           |     |             |  |  |      |     |      |
| SILVER                       | WHITE   | 12V                      | AV1911P112Q04 | 2-2213766-1       |                |           |     |             |  |  |      |     |      |
| SINGLE POLE-MOMENTARY        | GOLD    | BLUE                     | 24V           | AV1910P724R04     | 2-2213766-0    |           |     |             |  |  |      |     |      |
|                              | SILVER  | BLUE                     | 24V           | AV1910P724Q04     | 1-2213766-9    |           |     |             |  |  |      |     |      |
|                              | GOLD    | BLUE                     | 12V           | AV1910P712R04     | 1-2213766-8    |           |     |             |  |  |      |     |      |
|                              | SILVER  | BLUE                     | 12V           | AV1910P712Q04     | 1-2213766-7    |           |     |             |  |  |      |     |      |
|                              | GOLD    | GREEN                    | 24V           | AV1910P624R04     | 1-2213766-6    |           |     |             |  |  |      |     |      |
|                              | SILVER  | GREEN                    | 24V           | AV1910P624Q04     | 1-2213766-5    |           |     |             |  |  |      |     |      |
|                              | GOLD    | GREEN                    | 12V           | AV1910P612R04     | 1-2213766-4    |           |     |             |  |  |      |     |      |
|                              | SILVER  | GREEN                    | 12V           | AV1910P612Q04     | 1-2213766-3    |           |     |             |  |  |      |     |      |
|                              | GOLD    | YELLOW                   | 24V           | AV1910P524R04     | 1-2213766-2    |           |     |             |  |  |      |     |      |
|                              | SILVER  | YELLOW                   | 24V           | AV1910P524Q04     | 1-2213766-1    |           |     |             |  |  |      |     |      |
|                              | GOLD    | YELLOW                   | 12V           | AV1910P512R04     | 1-2213766-0    |           |     |             |  |  |      |     |      |
|                              | SILVER  | YELLOW                   | 12V           | AV1910P512Q04     | 2213766-9      |           |     |             |  |  |      |     |      |
|                              | GOLD    | RED                      | 24V           | AV1910P324R04     | 2213766-8      |           |     |             |  |  |      |     |      |
|                              | SILVER  | RED                      | 24V           | AV1910P324Q04     | 2213766-7      |           |     |             |  |  |      |     |      |
|                              | GOLD    | RED                      | 12V           | AV1910P312R04     | 2213766-6      |           |     |             |  |  |      |     |      |
|                              | SILVER  | RED                      | 12V           | AV1910P312Q04     | 2213766-5      |           |     |             |  |  |      |     |      |
|                              | GOLD    | WHITE                    | 24V           | AV1910P124R04     | 2213766-4      |           |     |             |  |  |      |     |      |
|                              | SILVER  | WHITE                    | 24V           | AV1910P124Q04     | 2213766-3      |           |     |             |  |  |      |     |      |
|                              | GOLD    | WHITE                    | 12V           | AV1910P112R04     | 2213766-2      |           |     |             |  |  |      |     |      |
|                              | SILVER  | WHITE                    | 12V           | AV1910P112Q04     | 2213766-1      |           |     |             |  |  |      |     |      |
| POLE/THROW                   | CONTACT | LED COLOUR               | LED VOLTAGE   | TE DESCRIPTIVE PN | TE PART NUMBER |           |     |             |  |  |      |     |      |

|                       |        |        |     |               |             |  |  |  |  |  |  |  |  |
|-----------------------|--------|--------|-----|---------------|-------------|--|--|--|--|--|--|--|--|
| DOUBLE POLE-LOCKING   | GOLD   | BLUE   | 24V | AV1921P724R04 | 8-2213766-0 |  |  |  |  |  |  |  |  |
|                       | SILVER | BLUE   | 24V | AV1921P724Q04 | 7-2213766-9 |  |  |  |  |  |  |  |  |
|                       | GOLD   | BLUE   | 12V | AV1921P712R04 | 7-2213766-8 |  |  |  |  |  |  |  |  |
|                       | SILVER | BLUE   | 12V | AV1921P712Q04 | 7-2213766-7 |  |  |  |  |  |  |  |  |
|                       | GOLD   | GREEN  | 24V | AV1921P624R04 | 7-2213766-6 |  |  |  |  |  |  |  |  |
|                       | SILVER | GREEN  | 24V | AV1921P624Q04 | 7-2213766-5 |  |  |  |  |  |  |  |  |
|                       | GOLD   | GREEN  | 12V | AV1921P612R04 | 7-2213766-4 |  |  |  |  |  |  |  |  |
|                       | SILVER | GREEN  | 12V | AV1921P612Q04 | 7-2213766-3 |  |  |  |  |  |  |  |  |
|                       | GOLD   | YELLOW | 24V | AV1921P524R04 | 7-2213766-2 |  |  |  |  |  |  |  |  |
|                       | SILVER | YELLOW | 24V | AV1921P524Q04 | 7-2213766-1 |  |  |  |  |  |  |  |  |
|                       | GOLD   | YELLOW | 12V | AV1921P512R04 | 7-2213766-0 |  |  |  |  |  |  |  |  |
|                       | SILVER | YELLOW | 12V | AV1921P512Q04 | 6-2213766-9 |  |  |  |  |  |  |  |  |
|                       | GOLD   | RED    | 24V | AV1921P324R04 | 6-2213766-8 |  |  |  |  |  |  |  |  |
|                       | SILVER | RED    | 24V | AV1921P324Q04 | 6-2213766-7 |  |  |  |  |  |  |  |  |
|                       | GOLD   | RED    | 12V | AV1921P312R04 | 6-2213766-6 |  |  |  |  |  |  |  |  |
|                       | SILVER | RED    | 12V | AV1921P312Q04 | 6-2213766-5 |  |  |  |  |  |  |  |  |
|                       | GOLD   | WHITE  | 24V | AV1921P124R04 | 6-2213766-4 |  |  |  |  |  |  |  |  |
|                       | SILVER | WHITE  | 24V | AV1921P124Q04 | 6-2213766-3 |  |  |  |  |  |  |  |  |
|                       | GOLD   | WHITE  | 12V | AV1921P112R04 | 6-2213766-2 |  |  |  |  |  |  |  |  |
|                       | SILVER | WHITE  | 12V | AV1921P112Q04 | 6-2213766-1 |  |  |  |  |  |  |  |  |
| DOUBLE POLE-MOMENTARY | GOLD   | BLUE   | 24V | AV1920P724R04 | 6-2213766-0 |  |  |  |  |  |  |  |  |
|                       | SILVER | BLUE   | 24V | AV1920P724Q04 | 5-2213766-9 |  |  |  |  |  |  |  |  |
|                       | GOLD   | BLUE   | 12V | AV1920P712R04 | 5-2213766-8 |  |  |  |  |  |  |  |  |
|                       | SILVER | BLUE   | 12V | AV1920P712Q04 | 5-2213766-7 |  |  |  |  |  |  |  |  |
|                       | GOLD   | GREEN  | 24V | AV1920P624R04 | 5-2213766-6 |  |  |  |  |  |  |  |  |
|                       | SILVER | GREEN  | 24V | AV1920P624Q04 | 5-2213766-5 |  |  |  |  |  |  |  |  |
|                       | GOLD   | GREEN  | 12V | AV1920P612R04 | 5-2213766-4 |  |  |  |  |  |  |  |  |
|                       | SILVER | GREEN  | 12V | AV1920P612Q04 | 5-2213766-3 |  |  |  |  |  |  |  |  |
|                       | GOLD   | YELLOW | 24V | AV1920P524R04 | 5-2213766-2 |  |  |  |  |  |  |  |  |
|                       | SILVER | YELLOW | 24V | AV1920P524Q04 | 5-2213766-1 |  |  |  |  |  |  |  |  |
|                       | GOLD   | YELLOW | 12V | AV1920P512R04 | 5-2213766-0 |  |  |  |  |  |  |  |  |
|                       | SILVER | YELLOW | 12V | AV1920P512Q04 | 4-2213766-9 |  |  |  |  |  |  |  |  |
|                       | GOLD   | RED    | 24V | AV1920P324R04 | 4-2213766-8 |  |  |  |  |  |  |  |  |
|                       | SILVER | RED    | 24V | AV1920P324Q04 | 4-2213766-7 |  |  |  |  |  |  |  |  |
|                       | GOLD   | RED    | 12V | AV1920P312R04 | 4-2213766-6 |  |  |  |  |  |  |  |  |
|                       | SILVER | RED    | 12V | AV1920P312Q04 | 4-2213766-5 |  |  |  |  |  |  |  |  |
|                       | GOLD   | WHITE  | 24V | AV1920P124R04 | 4-2213766-4 |  |  |  |  |  |  |  |  |

|   |  |  |           |  |               |
|---|--|--|-----------|--|---------------|
| THIS DRAWING IS A CONTROLLED DOCUMENT.                                      |  | DWN                                    | 08FEB2016 |  <b>TE Connectivity</b> |               |
| DIMENSIONS: mm [INCHES]   |  | CHK                                    | 08FEB2016 |  |               |
| TOLERANCES UNLESS OTHERWISE SPECIFIED:                                      |  | NAME                                   |           |  |               |
| 0 PLC ± -<br>1 PLC ± -<br>2 PLC ± -<br>3 PLC ± -<br>4 PLC ± -<br>ANGLES ± - |  | HILL RYAN<br>HILL RYAN<br>PRODUCT SPEC |           |  |               |
| MATERIAL  |  | APPLICATION SPEC                       |           | ANTI-VANDAL SWITCH 19mm POWER LOGO LED   |               |
| FINISH  |  | WEIGHT                                 |           | SIZE   | RESTRICTED TO |
|   |  | -                                      |           | A2   |               |
|   |  | -                                      |           | CAGE CODE  | DRAWING NO    |
|   |  | -                                      |           | 00779  | 2213766       |
|   |  | CUSTOMER DRAWING                       |           | SCALE  | SHEET         |
|   |  |  |           | NTS  | 3 of 3        |
|   |  |  |           | REV  | C             |

单击下面可查看定价，库存，交付和生命周期等信息

[>>TE Connectivity\(泰科\)](#)