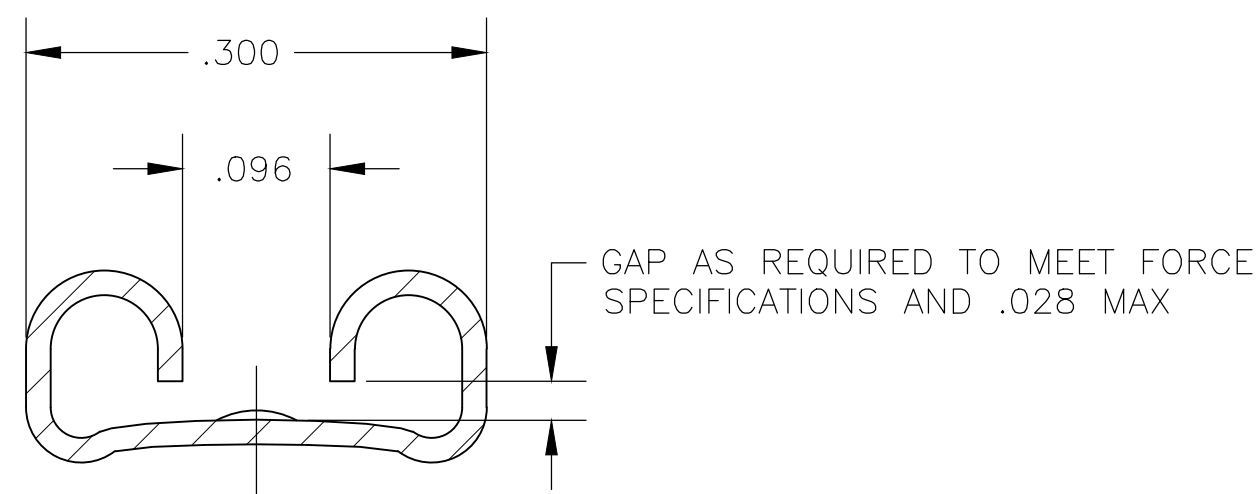
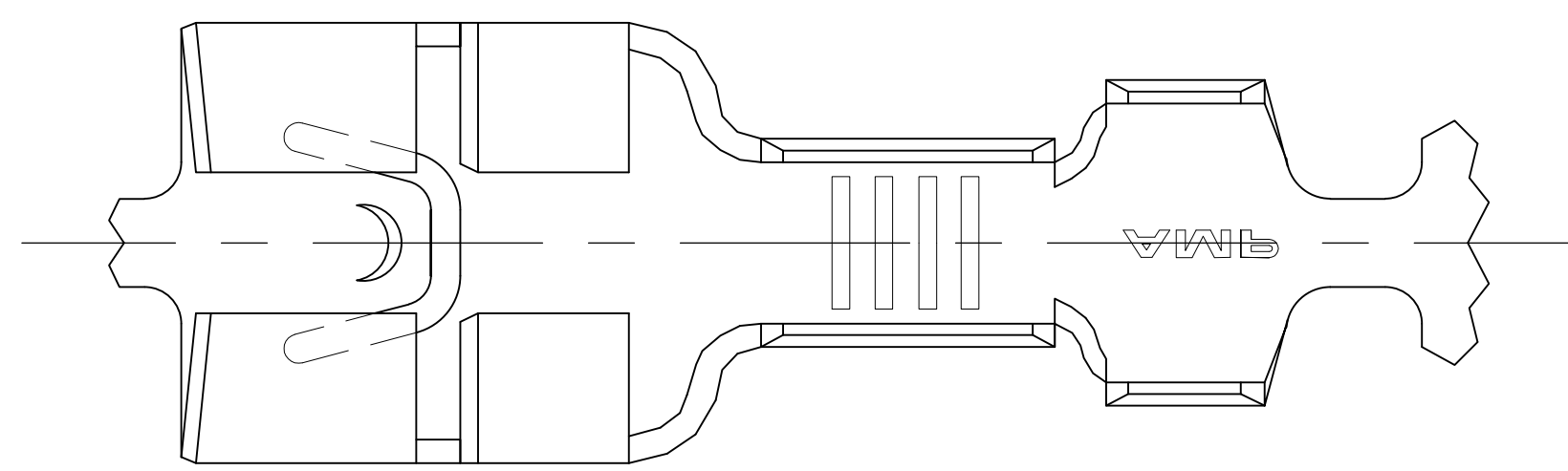


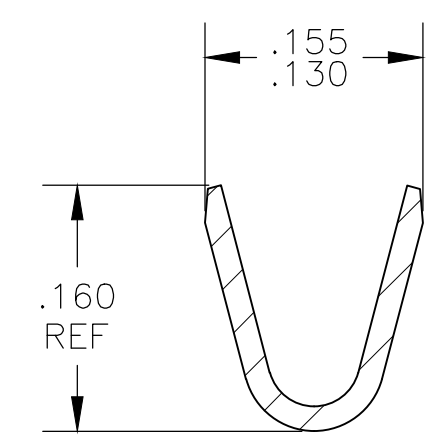
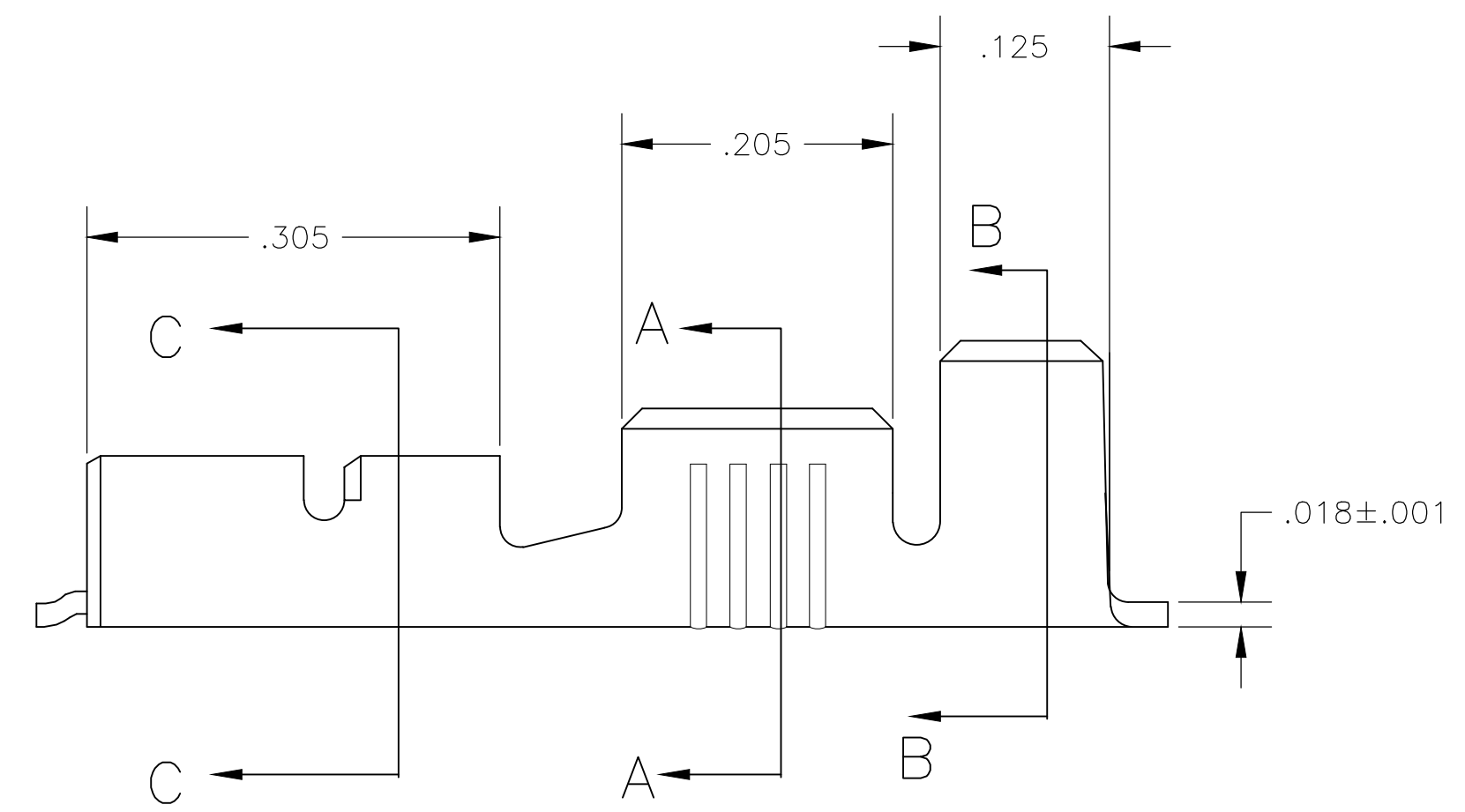
THIS DRAWING IS UNPUBLISHED. RELEASED FOR PUBLICATION
 © COPYRIGHT - By - ALL RIGHTS RESERVED.

LOC		DIST		REVISIONS			
P	LTR	DESCRIPTION		DATE	DWN	APVD	
AF	50	G1	REVISED PER ECR-20-009164		3AUG2020	MK	DH

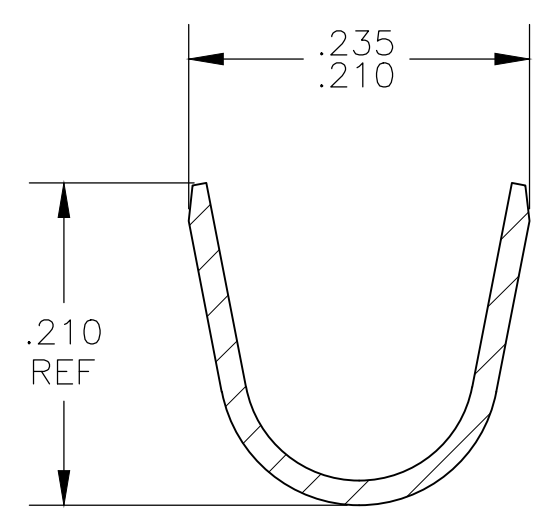
- CONTINUOUS STRIP ON REELS
- ACCEPTS #18-#14 AWG WIRE SIZE
CRIMP WIDTH, .120, F TYPE
- INSULATION RANGE IS .120-.170 DIA
CRIMP WIDTH, .180, F OR O TYPE
- MATING TAB THK IS .033-.030.



SECTION C-C



SECTION A-A



SECTION B-B

TIN	63537-2
-	63537-1
FINISH	PART NO

THIS DRAWING IS A CONTROLLED DOCUMENT.		DWN	JR RUTH	21JUN02	 TE Connectivity								
DIMENSIONS: INCHES		CHK	P DESANTIS	21JUN02									
TOLERANCES UNLESS OTHERWISE SPECIFIED:		APVD	P DESANTIS	21JUN02									
0 PLC ± - 1 PLC ± - 2 PLC ± - 3 PLC ± .010 4 PLC ± - ANGLES ± -		NAME		RECEPTACLE, FASTON, .250 SERIES									
MATERIAL	BRASS	FINISH	SEE TABLE	WEIGHT	-	SIZE	A2	CAGE CODE	00779	DRAWING NO	C-63537	RESTRICTED TO	-
CUSTOMER DRAWING		SCALE		8:1	SHEET	1 of 1	REV	G1					

单击下面可查看定价，库存，交付和生命周期等信息

[>>TE Connectivity\(泰科\)](#)