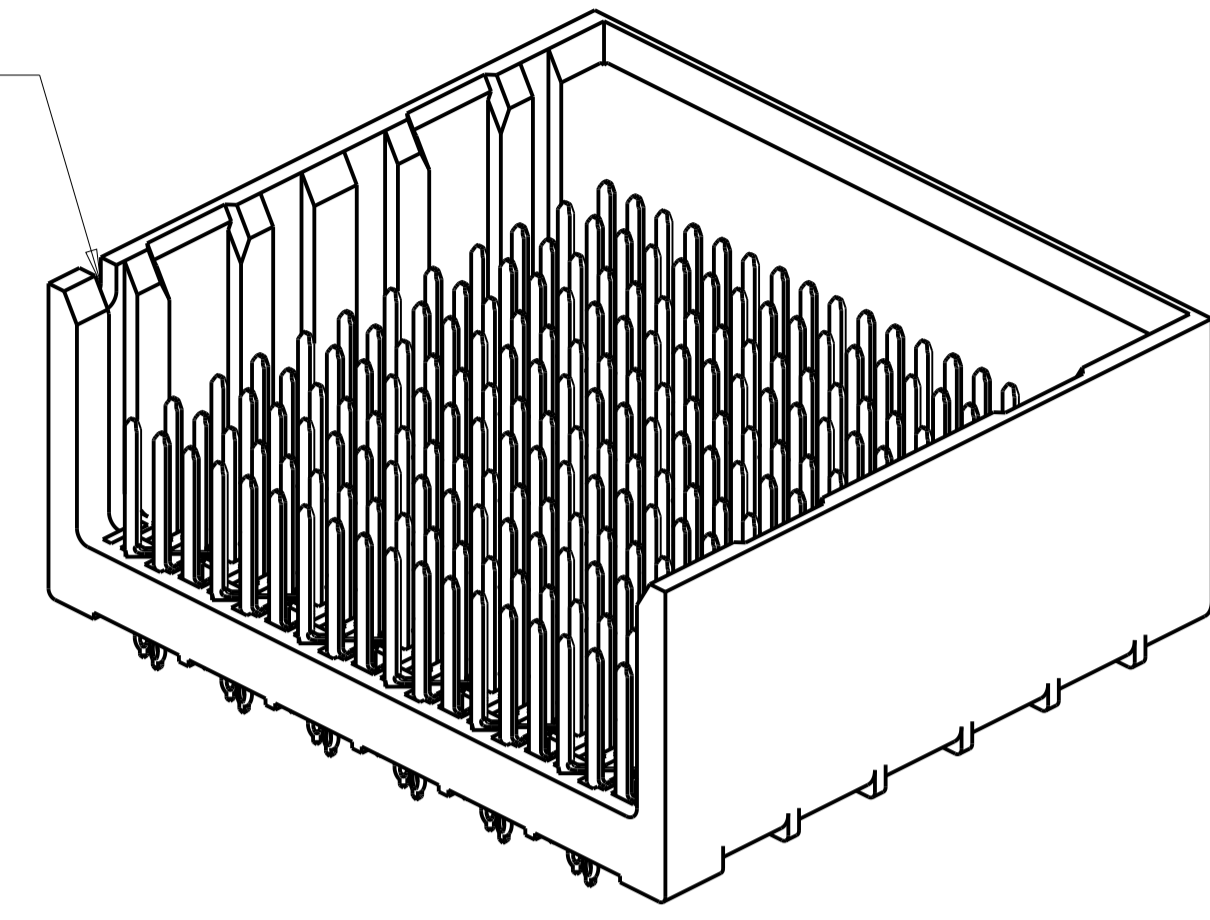
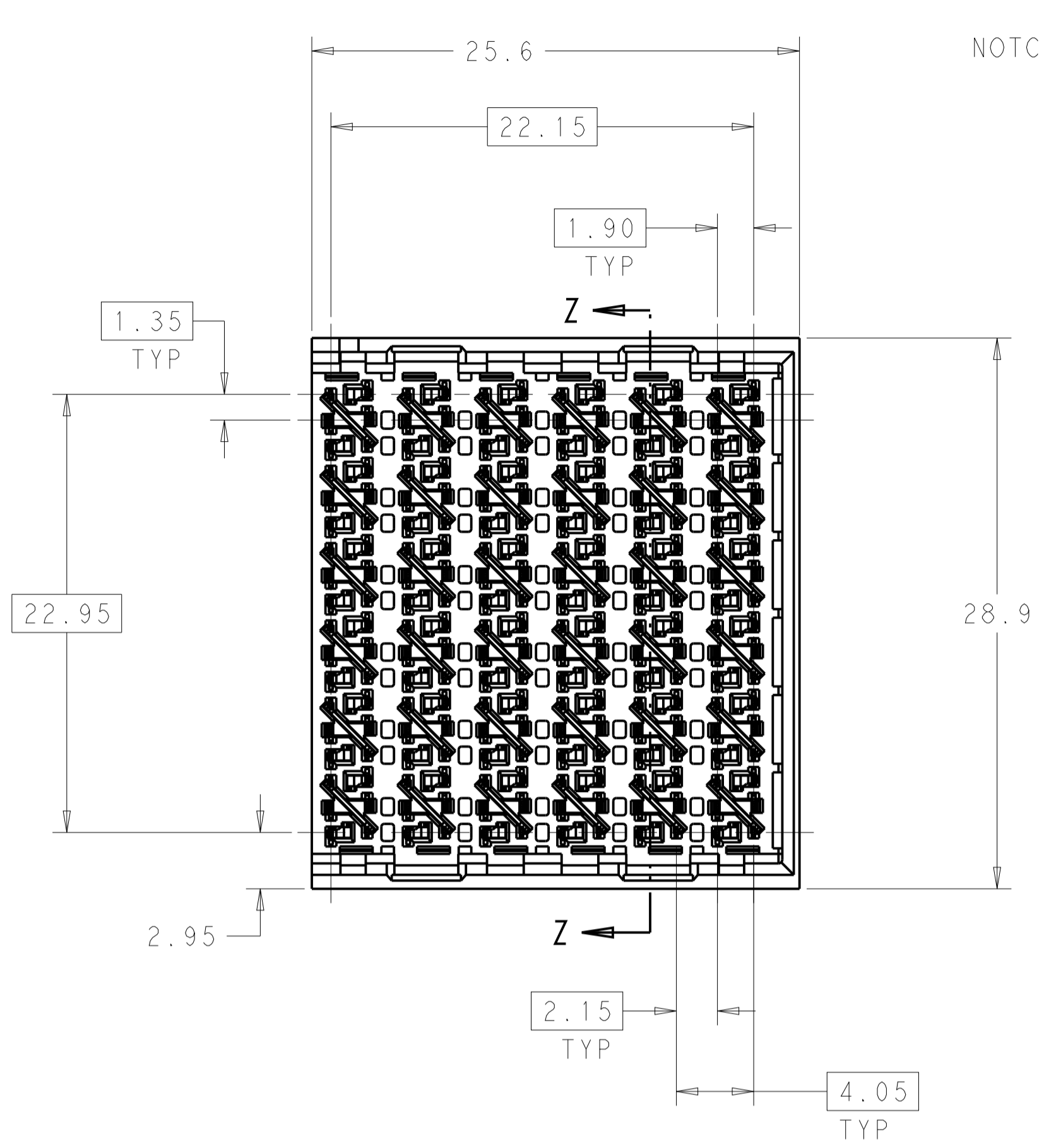
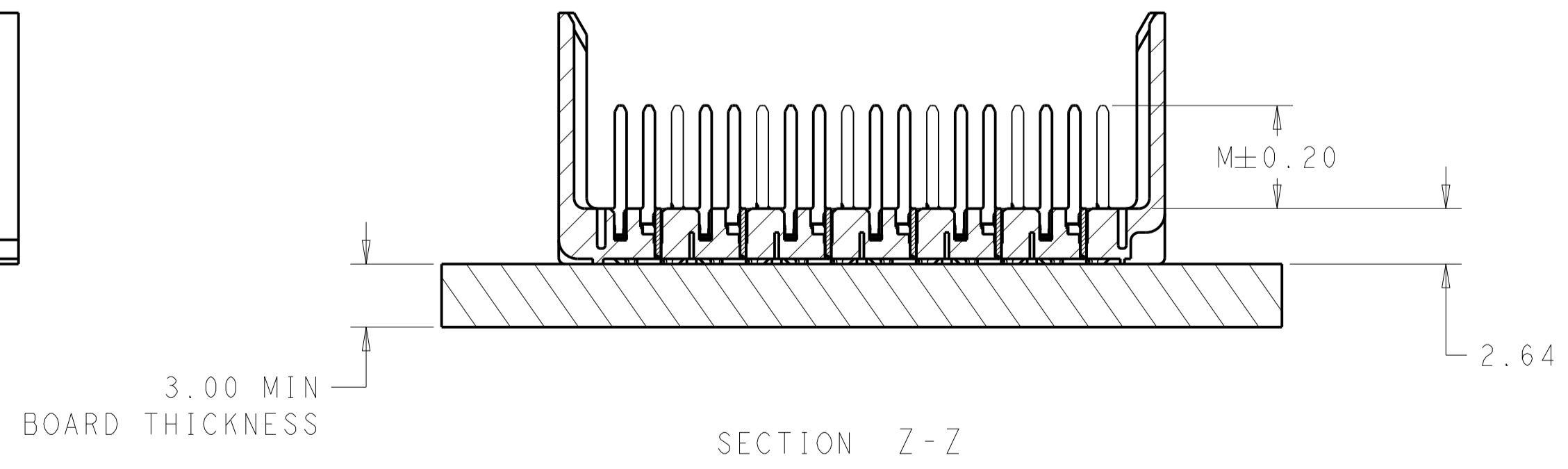
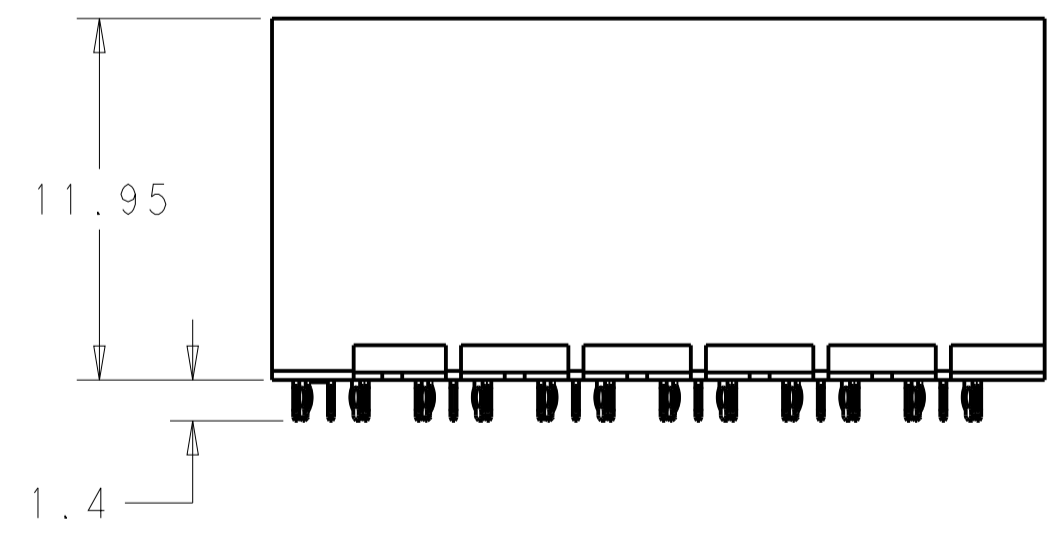
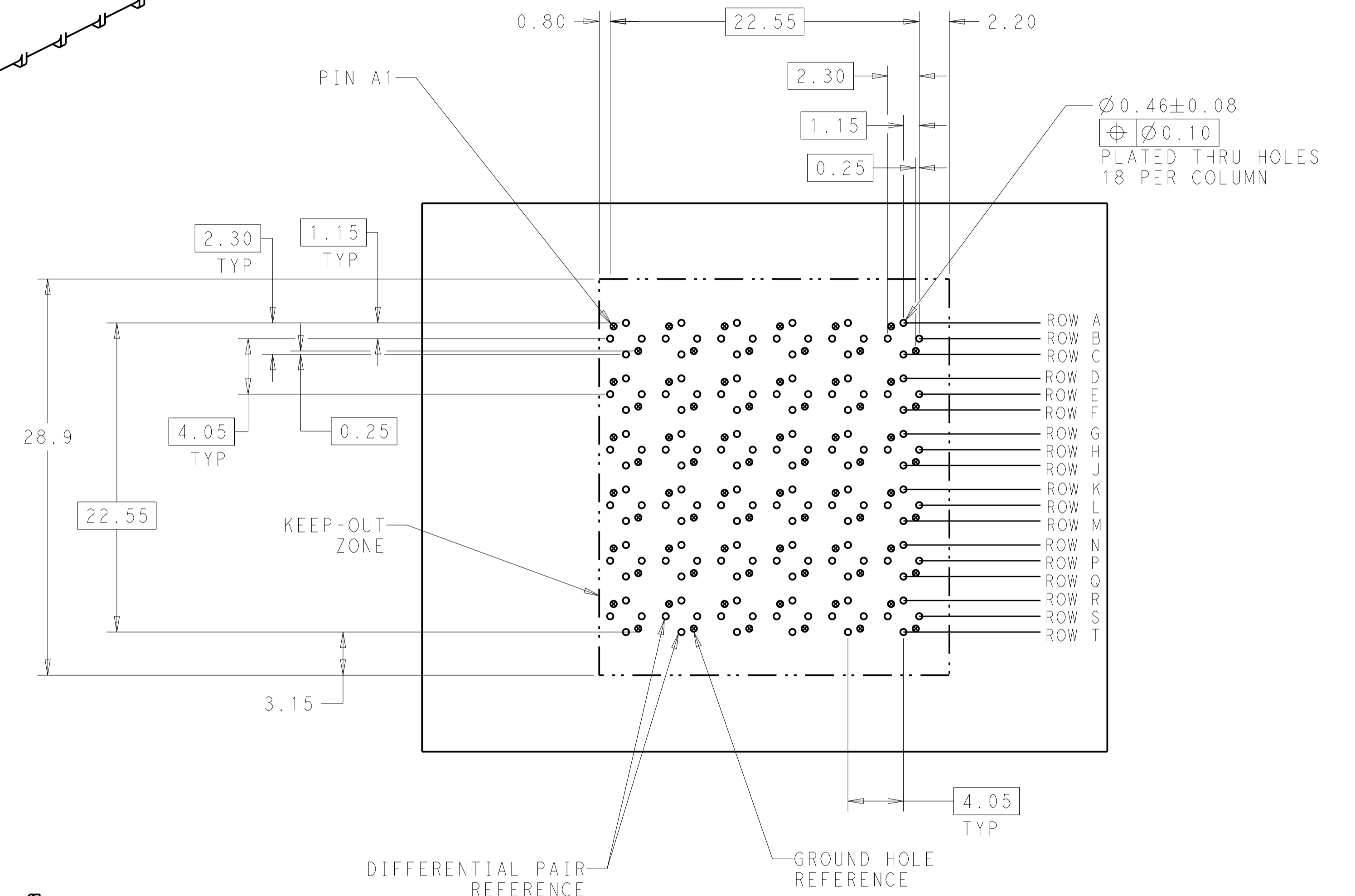


REVISIONS				
P.	LTN.	DESCRIPTION	DATE	APVD.
C		REVISED PER ECO-14-013273	04NOV2014	AP DD



- 1 MATERIAL:  
HOUSING: LCP GLASS FILLED UL94V-0  
TERMINALS: HIGH PERFORMANCE COPPER ALLOY
- 2 FINISH:  
30μ" MIN GOLD IN CONTACT AREA  
SELECTIVE TIN ON PCB TAILS.  
NICKEL OVERALL.



LEFT GUIDED  
 BACKPLANE HOLE PATTERN  
 (CONNECTOR SIDE)  
 SCALE 4:1

2	5.5	2143280-2
2	4.9	2143280-1
FINISH	DIM M	PART NUMBER

THIS DRAWING IS A CONTROLLED DOCUMENT.		DWN J. K. SHOBER 28DEC2010	TE Connectivity NAME IMPACT, 6 PAIR, 12 COLUMN, UNGUIDED DUAL RIGHT WALL ASSEMBLY, ORTHOGONAL, 0.46 PTH SIZE CAGE CODE DRAWING NO. RESTRICTED TO A100779C=2143280 SCALE 4:1 SHEET 1 OF 1 REV C
DIMENSIONS: mm		CHK J. EARY 28DEC2010	
TOLERANCES UNLESS OTHERWISE SPECIFIED:		APVD J. EARY 28DEC2010	
0 PLC ± 1 PLC ±0.25 2 PLC ±0.13 3 PLC ± 4 PLC ± ANGLES ±0		PRODUCT SPEC APPLICATION SPEC WEIGHT CUSTOMER DRAWING	

单击下面可查看定价，库存，交付和生命周期等信息

[>>TE Connectivity\(泰科\)](#)