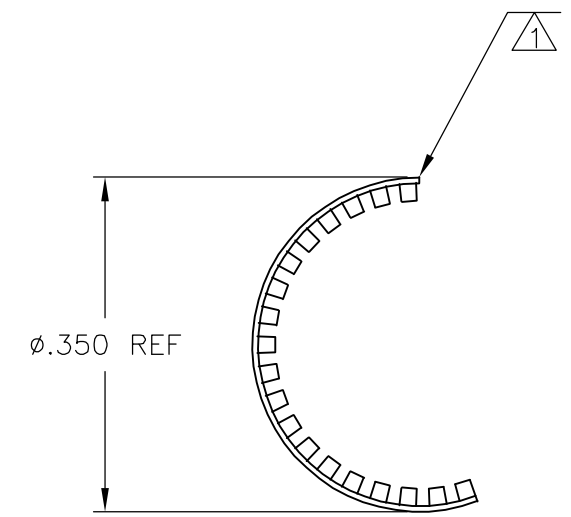
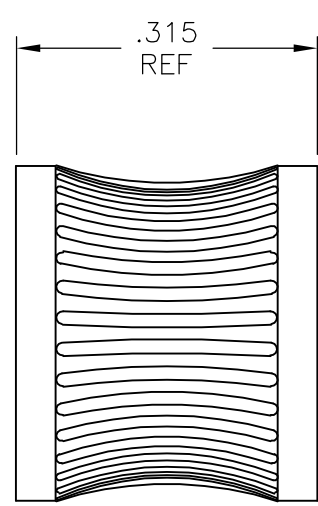


THIS DRAWING IS UNPUBLISHED. RELEASED FOR PUBLICATION  
 © COPYRIGHT BY TYCO ELECTRONICS CORPORATION. ALL RIGHTS RESERVED.

| LOC | DIST | REVISIONS   |                          |         |       |
|-----|------|-------------|--------------------------|---------|-------|
| P   | LTR  | DESCRIPTION | DATE                     | DWN     | APVD  |
| FT  | 0    | A           | REVISED PER ECO-05-13004 | 11/4/05 | SS GS |

- ① CUT TO 19 LOUVERS, AS SHOWN, LENGTH AND MAINTAIN ORIGINAL FREE DIAMETER OR 1-192043-6.
- ② BeCu
- ③ FINISH: GOLD OVER NICKEL.



1776458-1  
PART NUMBER

|  |  |                                 |   |                                    |                         |
|--|--|---------------------------------|---|------------------------------------|-------------------------|
| THIS DRAWING IS A CONTROLLED DOCUMENT.   |  | DWN<br>S SCHLEGEL<br>29MAR05    | Tyco Electronics Corporation<br>Harrisburg, PA 17105-3608 | NAME<br>CONTACT BAND, LAIV, FEMALE |                         |
| DIMENSIONS:<br>INCHES  |  | CHK<br>G STEINHAUER<br>3/29/05  |   | PRODUCT SPEC<br>-                  |                         |
| TOLERANCES UNLESS OTHERWISE SPECIFIED:   |  | APVD<br>G STEINHAUER<br>3/29/05 | APPLICATION SPEC<br>-                                     |                                    | RESTRICTED TO<br>-      |
| 0 PLC ± -<br>1 PLC ± -<br>2 PLC ± .01<br>3 PLC ± .005<br>4 PLC ± -<br>ANGLES ± - |  | WEIGHT<br>-                     | SIZE<br>A3  | CAGE CODE<br>00779                 | DRAWING NO<br>C-1776458 |
| MATERIAL<br>- ②  |  | FINISH<br>- ③                   | SCALE<br>5:1  |                                    | SHEET<br>1 of 1         |
| CUSTOMER DRAWING   |  |                                 | REV<br>A  |                                    |                         |

单击下面可查看定价，库存，交付和生命周期等信息

[>>TE Connectivity\(泰科\)](#)