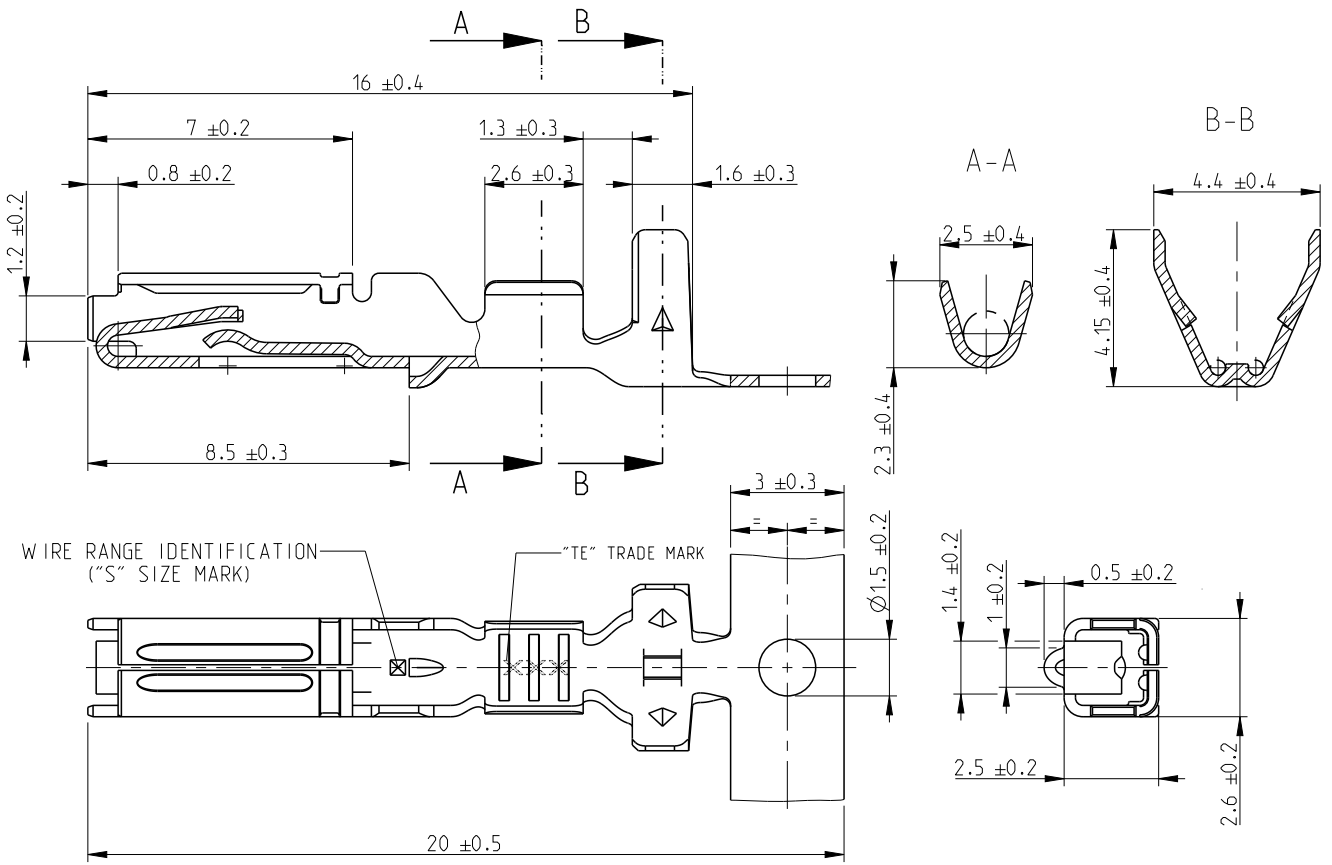


REVISIONS					
P	LTR	DESCRIPTION	DATE	DWN	APVD
	A2	Redrawn to Creo	03MAR2017	JJH	JP



1. DELIVERY STATE: ITEM IS SUPPLIED REELED ON CARTON REEL WITH STRIP PITCH = 11.9±0.2mm
 STATO DI FORNITURA: AVVOLTI SU BOBINA CON PASSO TRA TERMINALI DI = 11.9±0.2mm

CUSTOMER DRAWING FOR INFORMATION ONLY
 DISEGNO PER CLIENTE SOLO PER RIFERIMENTO



THIS DRAWING IS UNPUBLISHED. BY - COPYRIGHT © 20
 ALL RIGHTS RESERVED.
 20
 RELEASED FOR PUBLICATION

INS. DIA. RANGE (DIAM. ISOLANTE) $\varnothing 1.55 - 1.7\text{mm}$		WIRE RANGE (RANGO FILO) $0.35 - 0.5\text{mm}^2$		PRE-TIN (PRE-STAGNATO) FINISH/COLOUR (FINITURE/COLORE)		BRASS (OTTONE) MATERIAL (MATERIALE)		282374-1 PART NUMBER	
DIMENSIONS: mm		DWN R. MARTINI 10FEB1994		MATERIAL -		FINISH -		-	
TOLERANCES UNLESS OTHERWISE SPECIFIED: ±0.3 ±2°		CHK C. TARTARI 11FEB1994		APVD -					
PRODUCT SPEC 108-20159		NAME MULTILOCK .070 SRS REC. CONTACT FOR NEW GENERATION CONNECTOR							
APPLICATION SPEC 114-20056		WEIGHT -		SIZE A 4		CAGE CODE -		DRAWING NO C=282374	
CUSTOMER DRAWING				SCALE 5:1		SHEET 1 OF 1		REV A2	

单击下面可查看定价，库存，交付和生命周期等信息

[>>TE Connectivity\(泰科\)](#)