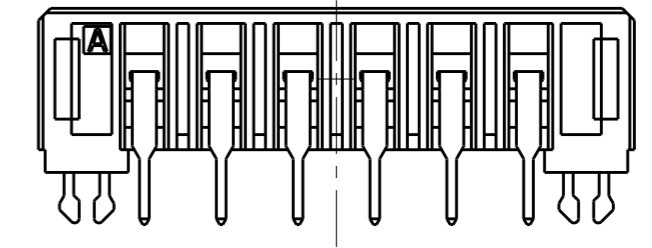
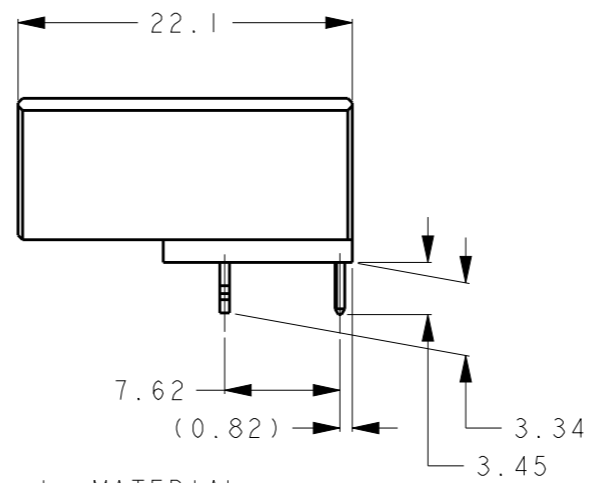
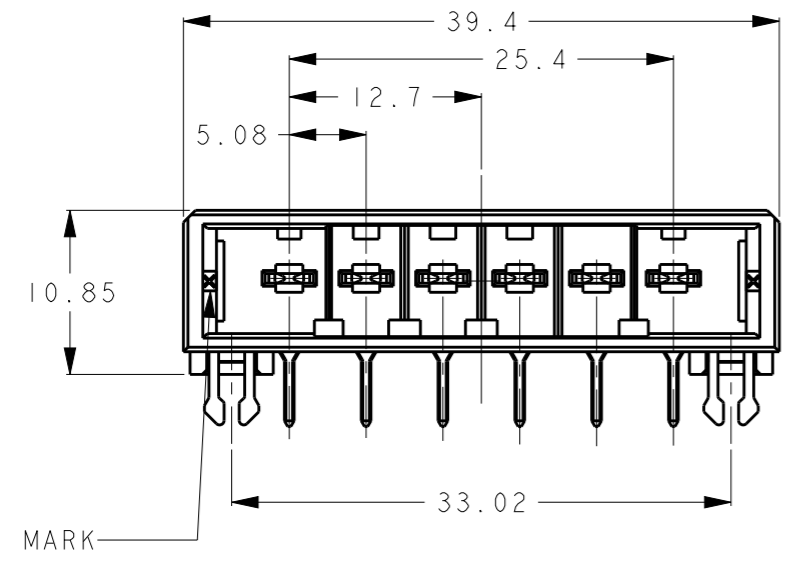
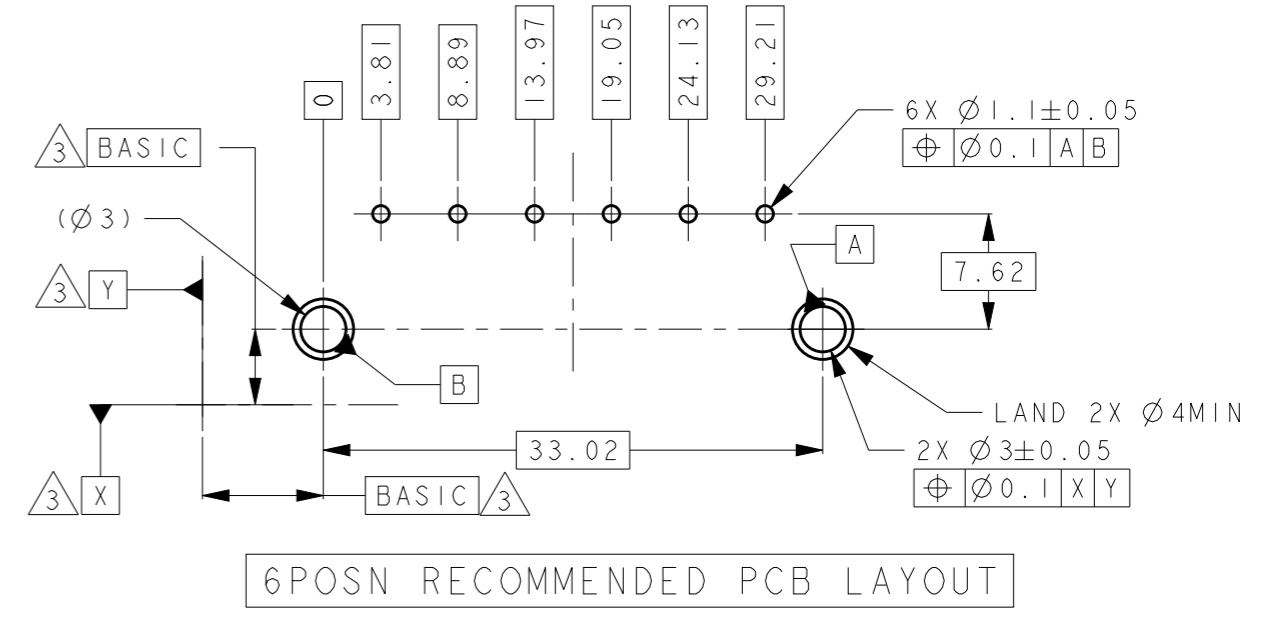
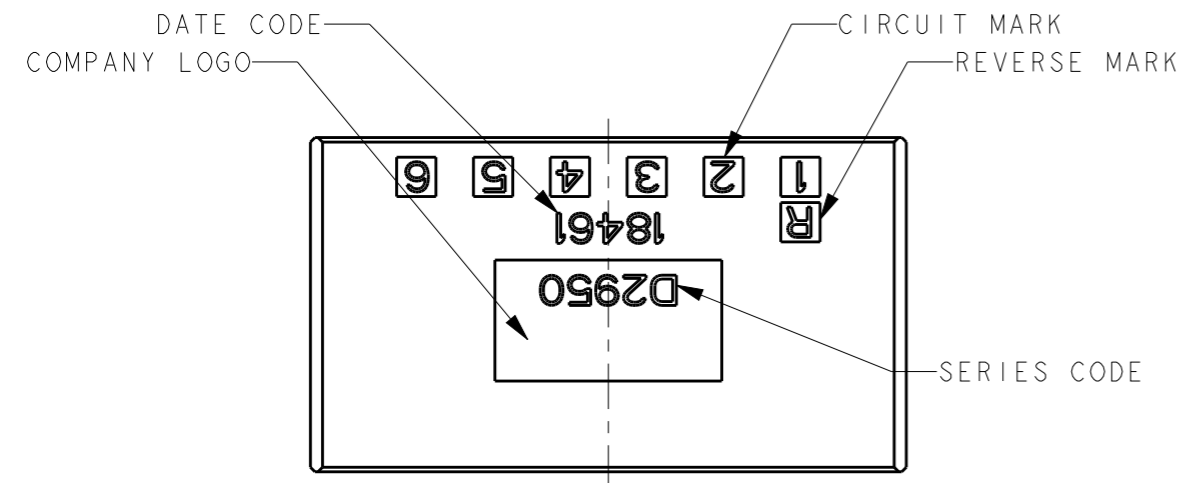


THIS DRAWING IS UNPUBLISHED. RELEASED FOR PUBLICATION 20
 © COPYRIGHT 20 BY - ALL RIGHTS RESERVED.

REVISIONS					
P	LTR	DESCRIPTION	DATE	DWN	APVD
	A	RELEASED	10OCT2019	K.T	E.I

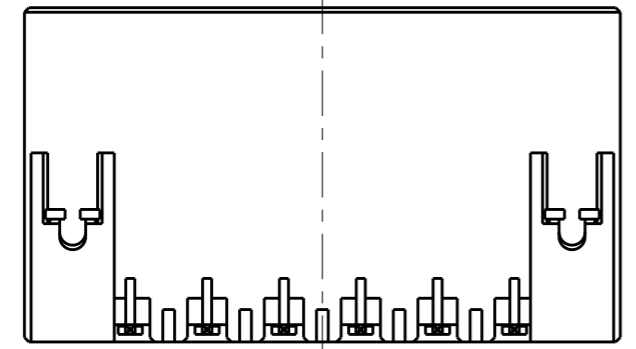


- MATERIAL
HOUSING: THERMOPLASTIC POLYESTER.
CONTACT: COPPER ALLOY
RETENSION LEG: COPPER ALLOY
- PLATING
CONTACT POINT: UNDER Ni PLATING.
OVER Au PLATING.
RETENSION LEG AND TINE
: UNDER Ni PLATING.
OVER Tin PLATING.

△ DATUMS AND BASIC DIMENSIONS ESTABLISHED BY CUSTOMER.

4. INSTRUCTION SHEET: 408-78172

X	6	1-2347005-6
X	5	1-2347005-5
KEYING	POSN	PART NUMBER

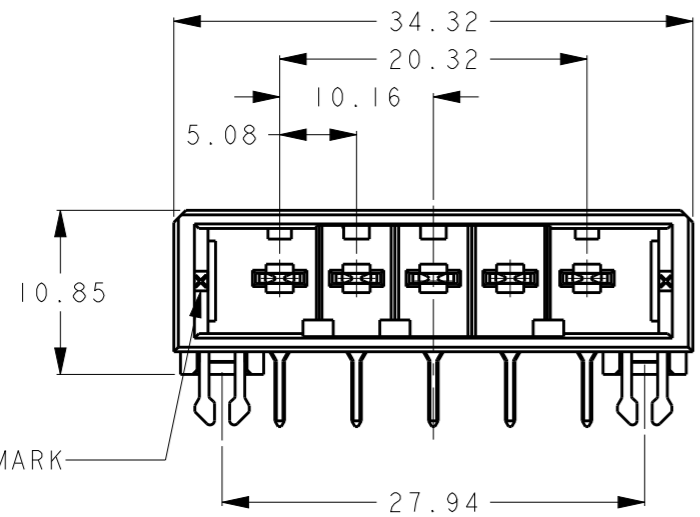
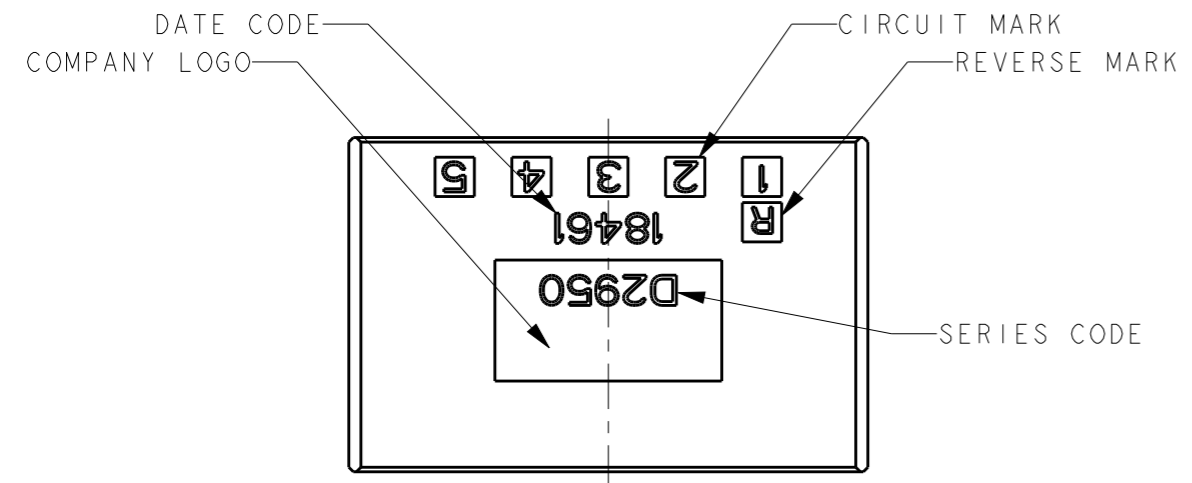


1-2347005-6
(6POSN, KEY: X)

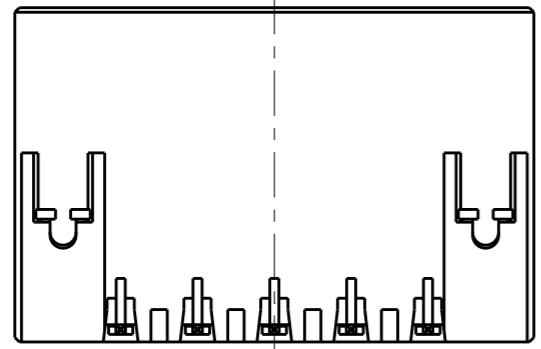
THIS DRAWING IS A CONTROLLED DOCUMENT.		DWN K. TERAJIMA 10OCT2019	STE TE Connectivity													
DIMENSIONS: mm		CHK T. SHIMOYASU 10OCT2019														
TOLERANCES UNLESS OTHERWISE SPECIFIED: ±0.4		APVD E. IKEMATSU 10OCT2019	NAME D2950 FIELD INSTALLABLE SPRING CLAMP CONNECTOR HDR													
<table border="1"> <tr><td>Ø PLC</td><td>±</td></tr> <tr><td>1 PLC</td><td>±</td></tr> <tr><td>2 PLC</td><td>±</td></tr> <tr><td>3 PLC</td><td>±</td></tr> <tr><td>4 PLC</td><td>±</td></tr> <tr><td>ANGLES</td><td>±3°</td></tr> </table>		Ø PLC	±	1 PLC	±	2 PLC	±	3 PLC	±	4 PLC	±	ANGLES	±3°	PRODUCT SPEC 108-140221	SIZE A300779	
Ø PLC	±															
1 PLC	±															
2 PLC	±															
3 PLC	±															
4 PLC	±															
ANGLES	±3°															
MATERIAL -		APPLICATION SPEC -	DRAWING NO C-2347005													
FINISH -		WEIGHT -	RESTRICTED TO -													
-		CUSTOMER DRAWING	SCALE 2:1	SHEET 1 OF 2												
-			REV A													

THIS DRAWING IS UNPUBLISHED. RELEASED FOR PUBLICATION 20
 © COPYRIGHT 20 BY - ALL RIGHTS RESERVED.

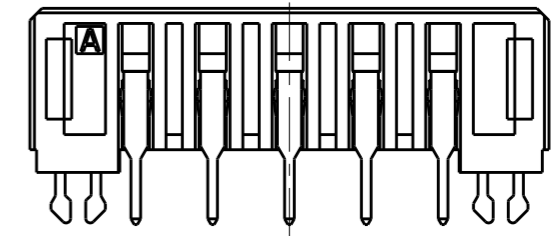
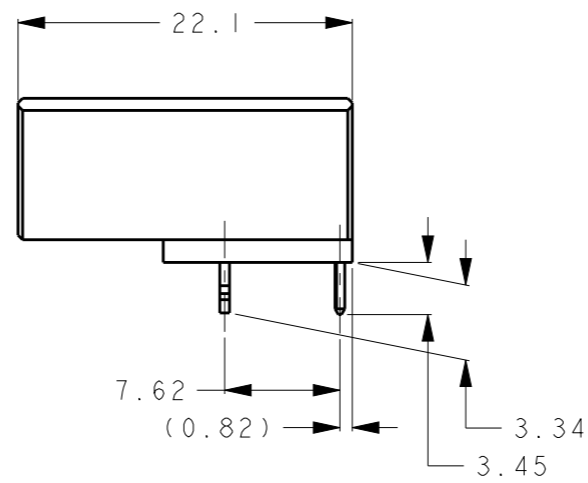
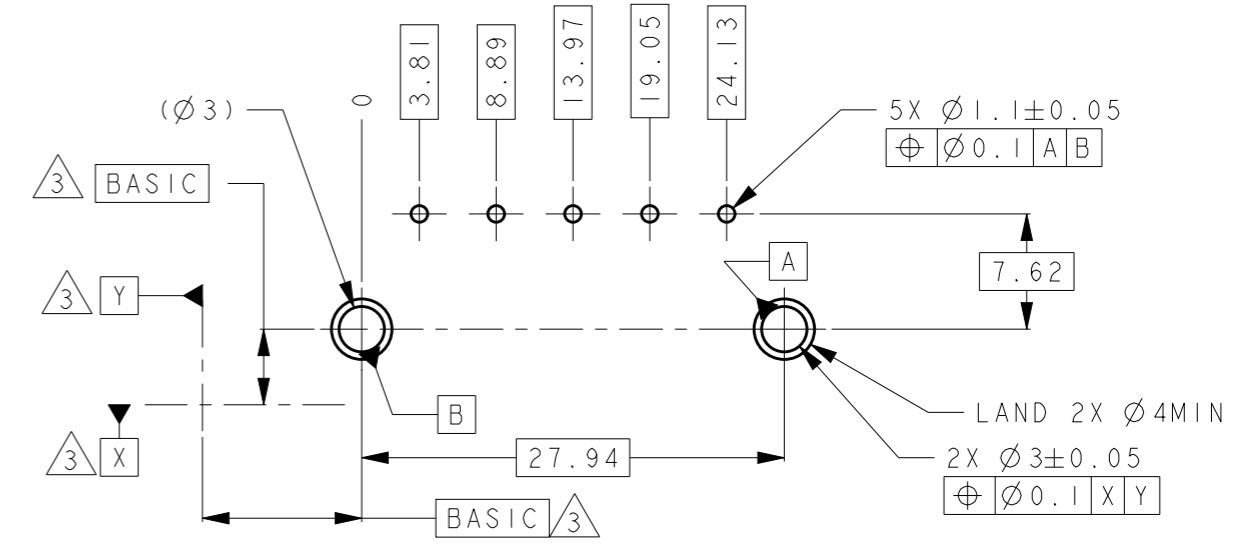
REVISIONS					
P	LTR	DESCRIPTION	DATE	DWN	APVD
		SEE SHEET 1			



KEYING MARK



1-2347005-5
(5POSN, KEY: X)



THIS DRAWING IS A CONTROLLED DOCUMENT.		DWN K. TERAJIMA 10OCT2019	TE Connectivity						
DIMENSIONS: mm		CHK T. SHIMOYASU 10OCT2019			NAME D2950 FIELD INSTALLABLE SPRING CLAMP CONNECTOR HDR				
TOLERANCES UNLESS OTHERWISE SPECIFIED: ± 0.4		APVD F. IKEMATSU 10OCT2019							
\varnothing PLC \pm 1 PLC \pm 2 PLC \pm 3 PLC \pm 4 PLC \pm ANGLES $\pm 3^\circ$		PRODUCT SPEC -	APPLICATION SPEC -	RESTRICTED TO -					
MATERIAL -		FINISH -	WEIGHT -	SIZE A3	CAGE CODE 300779	DRAWING NO C-2347005	SCALE 2:1	SHEET 2 OF 2	REV A
CUSTOMER DRAWING									

单击下面可查看定价，库存，交付和生命周期等信息

[>>TE Connectivity\(泰科\)](#)