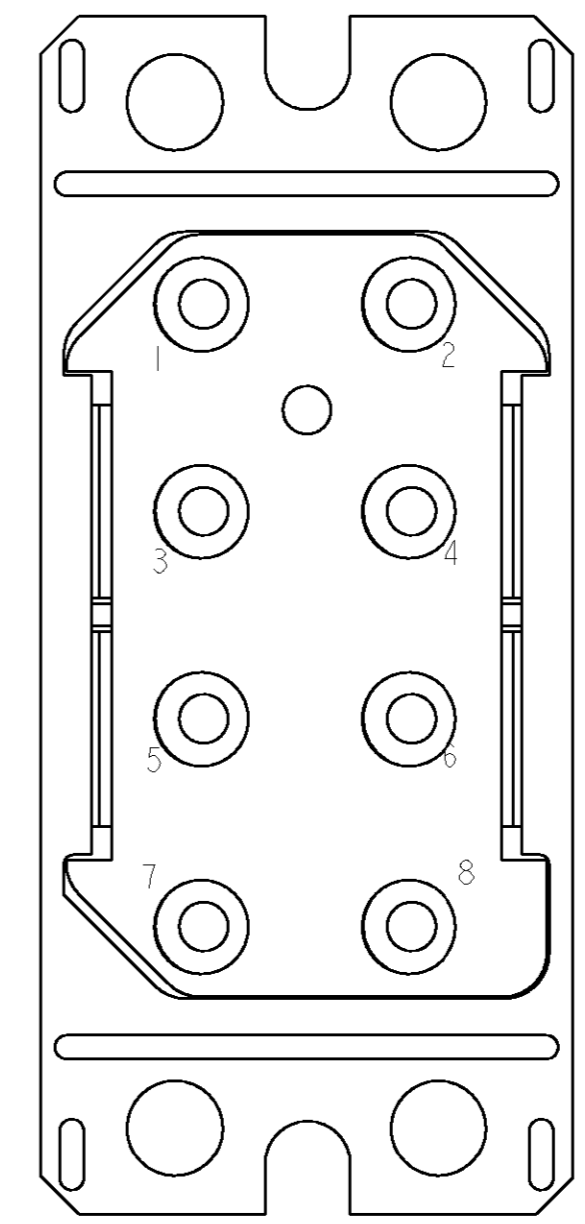
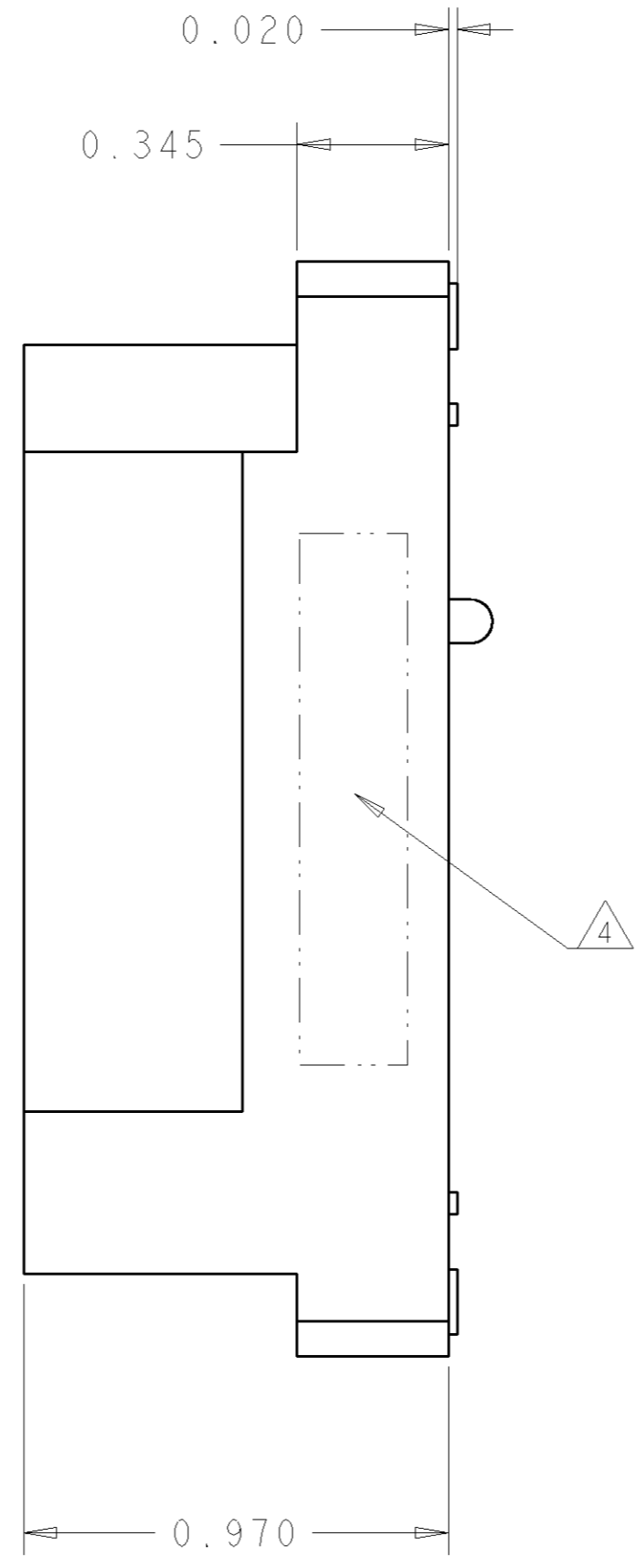
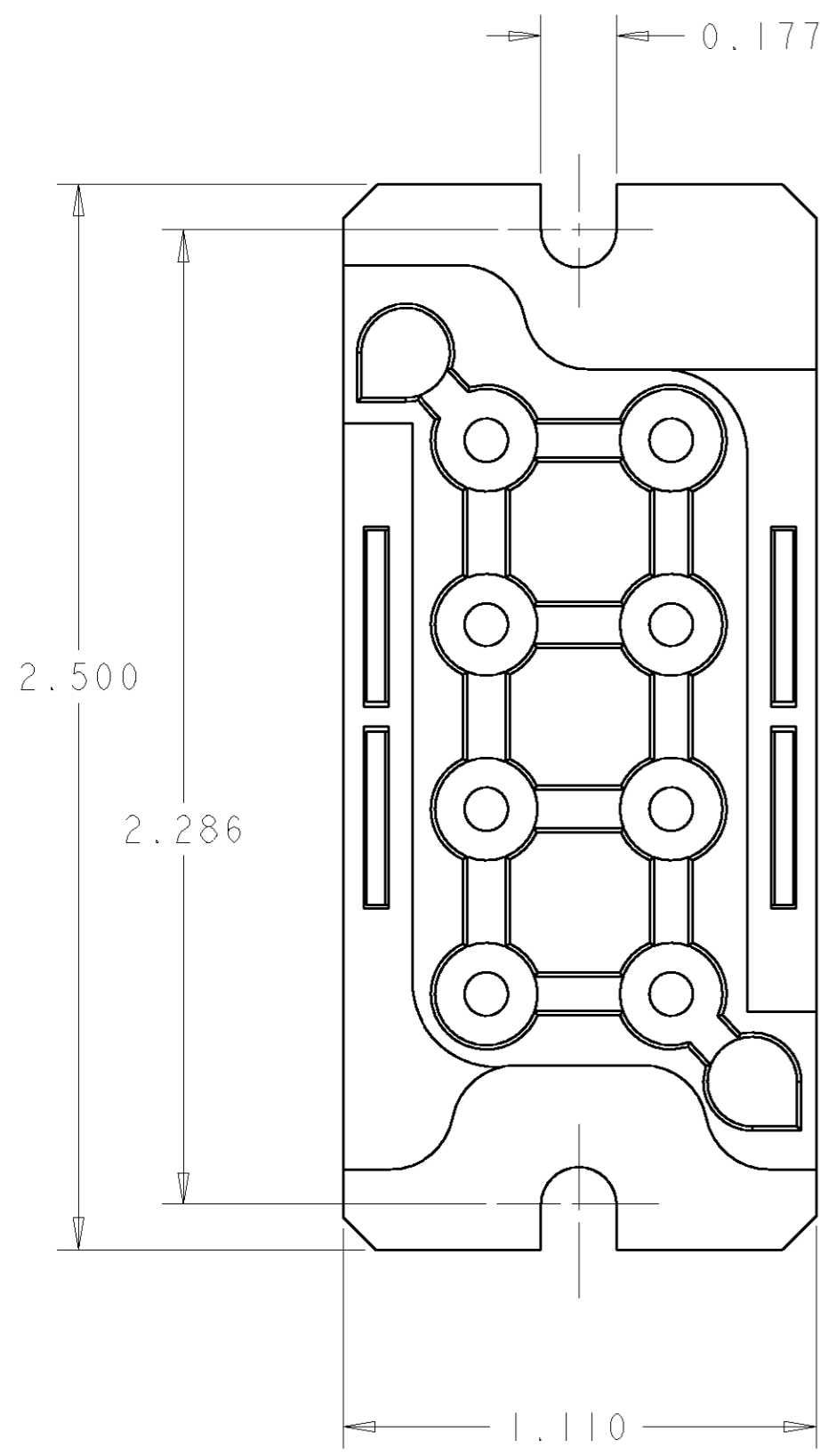


THIS DRAWING IS UNPUBLISHED. RELEASED FOR PUBLICATION 20
 © COPYRIGHT 20 BY TYCO ELECTRONICS CORPORATION. ALL RIGHTS RESERVED.

LOC	DIST	REVISIONS			
P	LTR	DESCRIPTION	DATE	DWN	APVD
GP	00	A	RELEASED	11OCT2006	RG DO
		B	REV PER ECO-07-001519	22JAN2007	RG DO



PIN CONTACT SIZE #12 (B) (C)

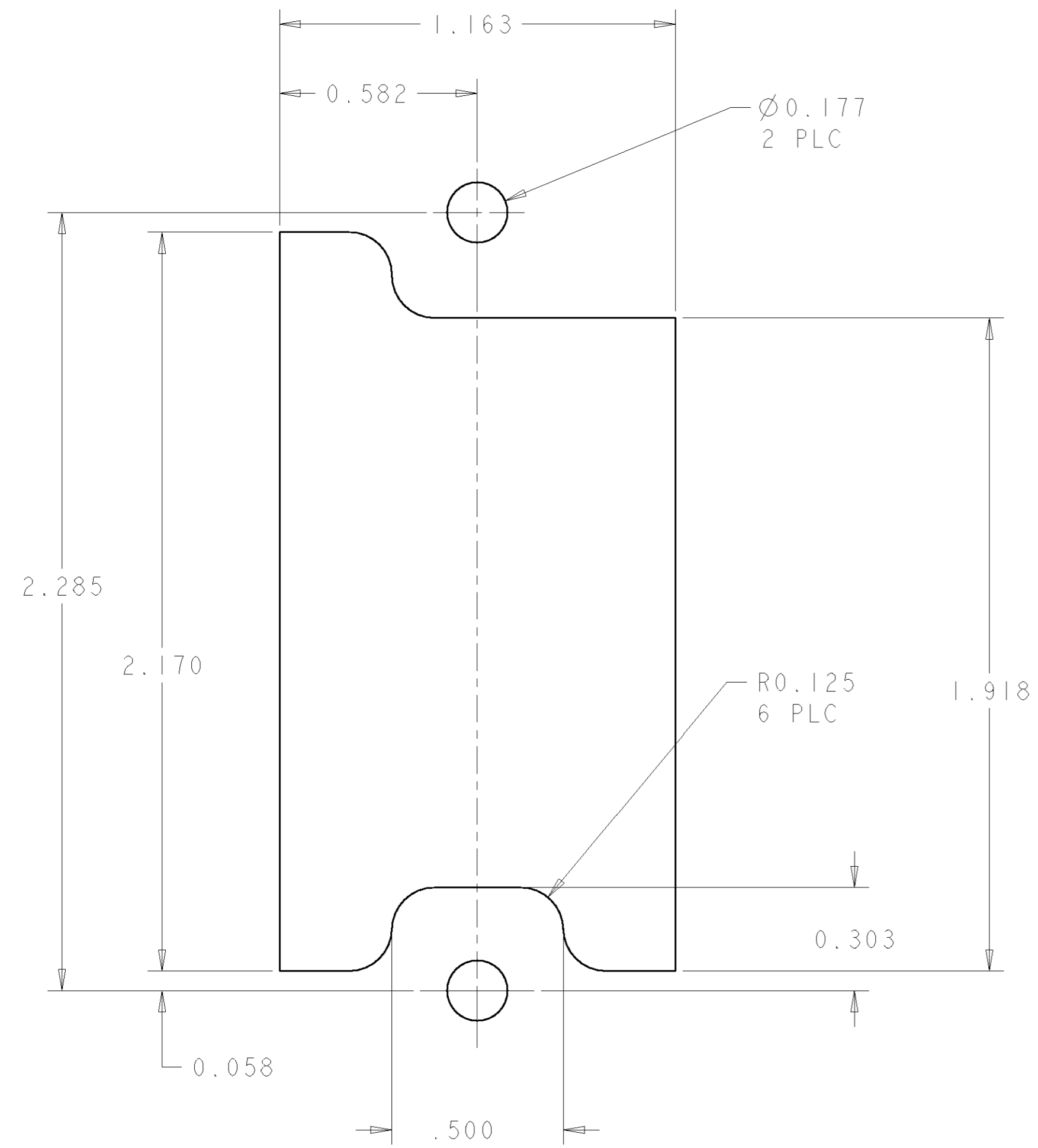
REAR VIEW

AS SHOWN	6643099-1
DESCRIPTION	PART NUMBER

THIS DRAWING IS A CONTROLLED DOCUMENT FOR TYCO ELECTRONICS CORPORATION IT IS SUBJECT TO CHANGE AND THE CONTROLLING ENGINEERING ORGANIZATION SHOULD BE CONTACTED FOR THE LATEST REVISION.		DWN R. GRZYBOWSKI 11OCT06 CHK D. ORRIS 11OCT06 APVD S. FLICKINGER 11OCT06	tyco Tyco Electronics Electronics Harrisburg, PA 17105-3608
DIMENSIONS: INCHES [mm]	TOLERANCES UNLESS OTHERWISE SPECIFIED: 0 PLC ± 1 PLC ± 2 PLC ±.01 [.3] 3 PLC ±.006 [.15] 4 PLC ± ANGLES ±.5 FINISH	PRODUCT SPEC - APPLICATION SPEC - WEIGHT -	NAME CONNECTOR ASSEMBLY, PIN SIZE #12 CONTACT, CUSTOM DRAWER SIZE A2 CAGE CODE 00779 DRAWING NO. 6643099 RESTRICTED TO - SCALE 3:1 SHEET 1 OF 2 REV B
MATERIAL -		CUSTOMER DRAWING	

ELCON HV8P DRAWER

LOC	DIST	REVISIONS					
GP	00	P	LTR	DESCRIPTION	DATE	DWN	APVD
		-		SEE SHEET 1			



PANEL CUTOUT
 VIEWED FROM CONNECTOR MOUNTING SIDE

- PART NUMBER CHANGES AND OR DESIGN CHANGES AFFECTING THE INTERCHANGEABILITY REQUIRE PRIOR TYCO APPROVAL AND AUTHORIZATION BY REVISION TO THIS DRAWING.
- MATERIAL:
 INSULATOR: THERMOPLASTIC, GLASS REINFORCED, FLAMMABILITY RATED, COLOR: BLACK
 PIN CONTACT: COPPER ALLOY
 RETENTION CLIP: COPPER ALLOY
- FINISH:
 CONTACTS: SILVER PLATE .000200 MIN. THK. OVER NICKEL
 .000040 MIN. THK.

△ ITEMS PROVIDED TO THIS SPECIFICATION TO BE PERMANENTLY IDENTIFIED PER THE FOLLOWING IDENTIFIER:

YEAR | WEEK

TYCO PART NUMBER | DATE CODE (e.g. 0216)

XXXXXXXX-X | XXXX

△ CRIMP CONTACTS (ITEMS B & C) SHALL BE PACKAGED SEPARATELY AND PLACED IN THE BOX WITH THE CONN. ASSEMBLY.

△	C	1	1766195-1	CONTACT, PIN, #12, CRIMP, PREMATE
△	B	6	1766193-1	CONTACT, PIN, #12, CRIMP, STD
	A	1	1648127-2	PIN, CONNECTOR ASSY
	ITEM	-1	PART NUMBER	DESCRIPTION

THIS DRAWING IS A CONTROLLED DOCUMENT FOR TYCO ELECTRONICS CORPORATION. IT IS SUBJECT TO CHANGE AND THE CONTROLLING ENGINEERING ORGANIZATION SHOULD BE CONTACTED FOR THE LATEST REVISION.		DWN R.GRZYBOWSKI 11OCT06 CHK D.ORRIS 11OCT06 APVD S.FLICKINGER 11OCT06	tyco Tyco Electronics Harrisburg, PA 17105-3608
DIMENSIONS: INCHES [mm]	TOLERANCES UNLESS OTHERWISE SPECIFIED: 0 PLC ± 1 PLC ± 2 PLC ±.01 [.3] 3 PLC ±.006 [.15] 4 PLC ± ANGLES ±.5	NAME CONNECTOR ASSEMBLY, PIN SIZE #12 CONTACT, CUSTOM DRAWER	SIZE CAGE CODE DRAWING NO RESTRICTED TO A200779 C-6643099 -
MATERIAL	FINISH	WEIGHT	CUSTOMER DRAWING
			SCALE 3:1 SHEET 2 OF 2 REV B

ELCON HV8P DRAWER

单击下面可查看定价，库存，交付和生命周期等信息

[>>TE Connectivity\(泰科\)](#)