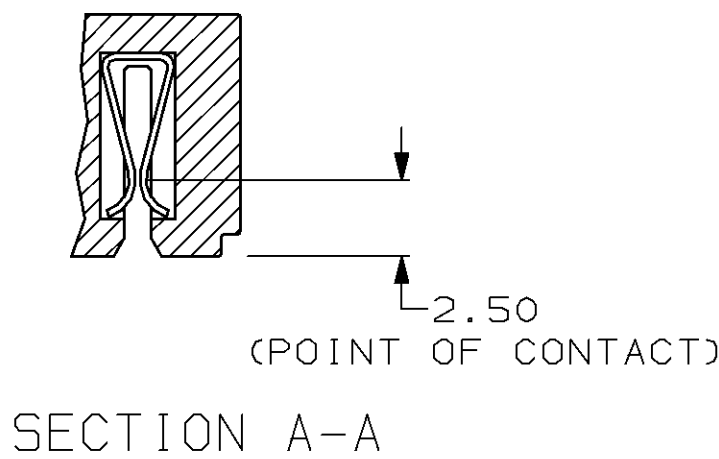
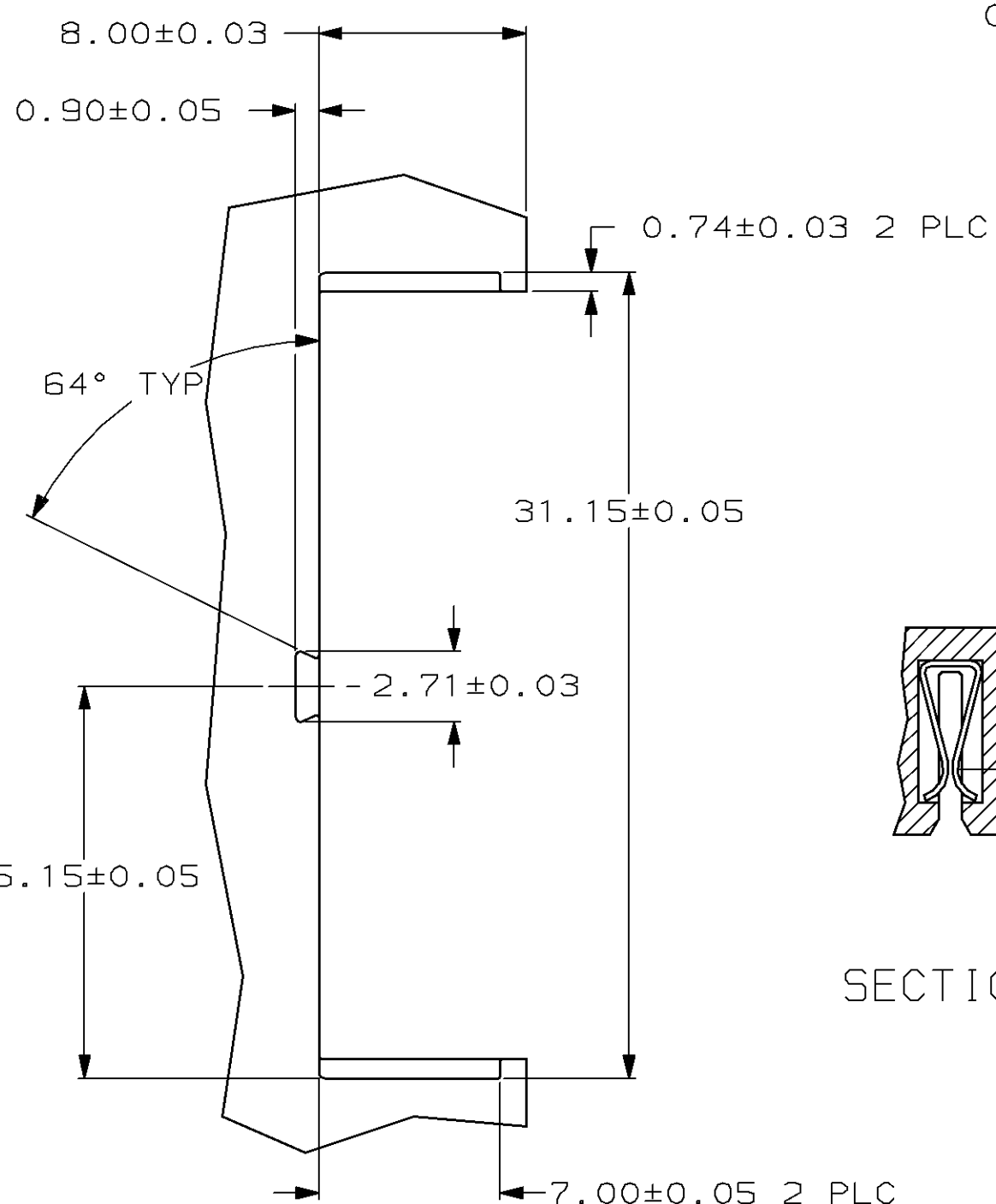
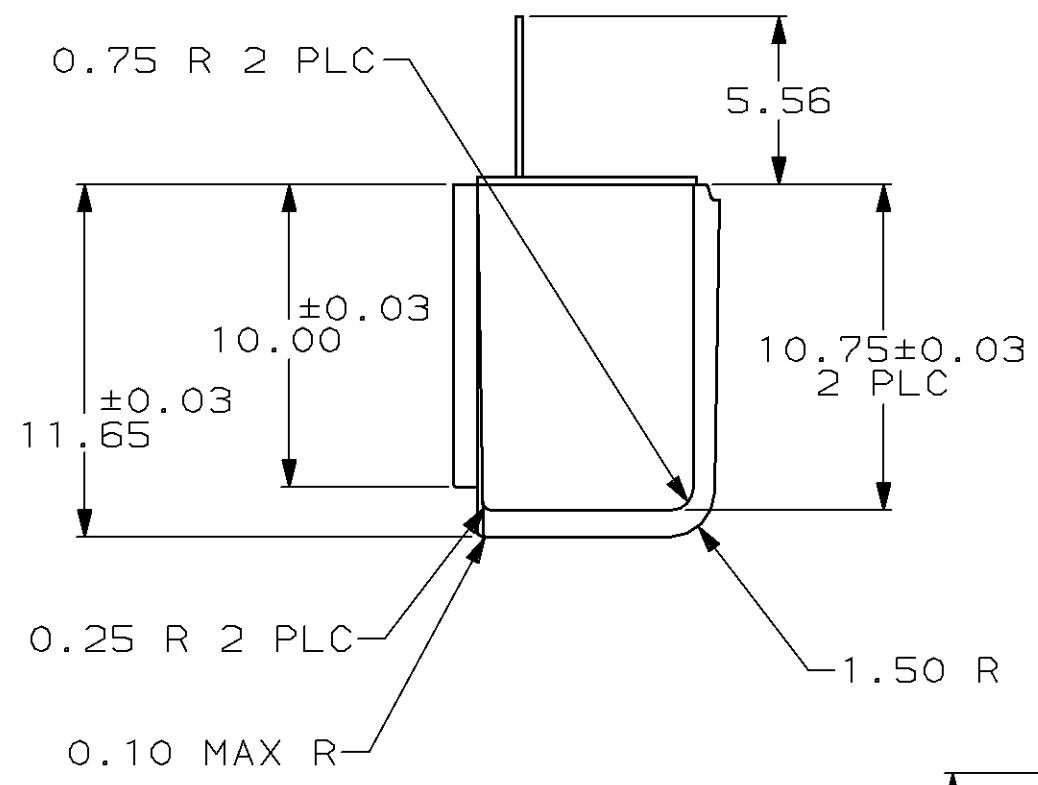
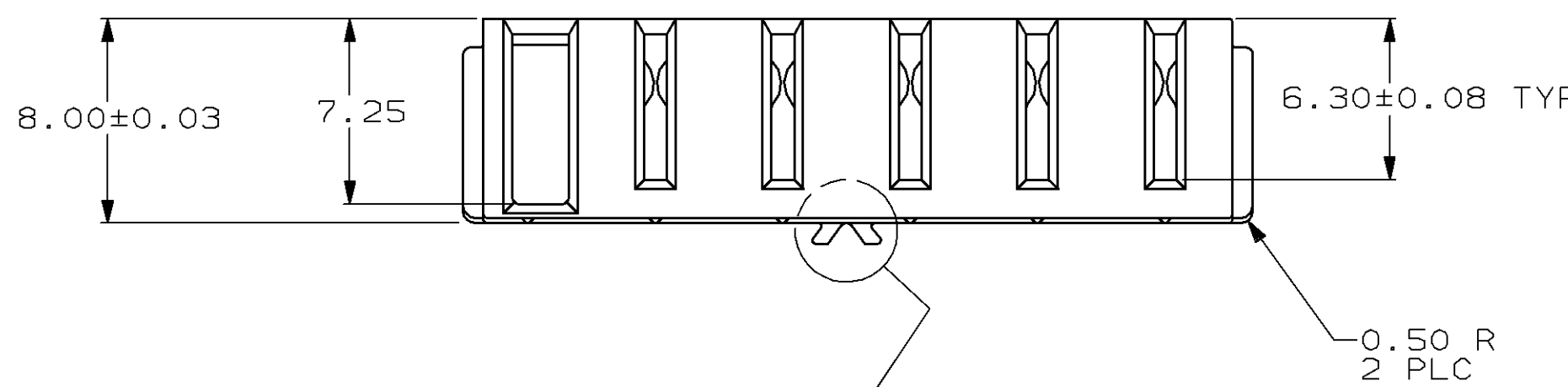
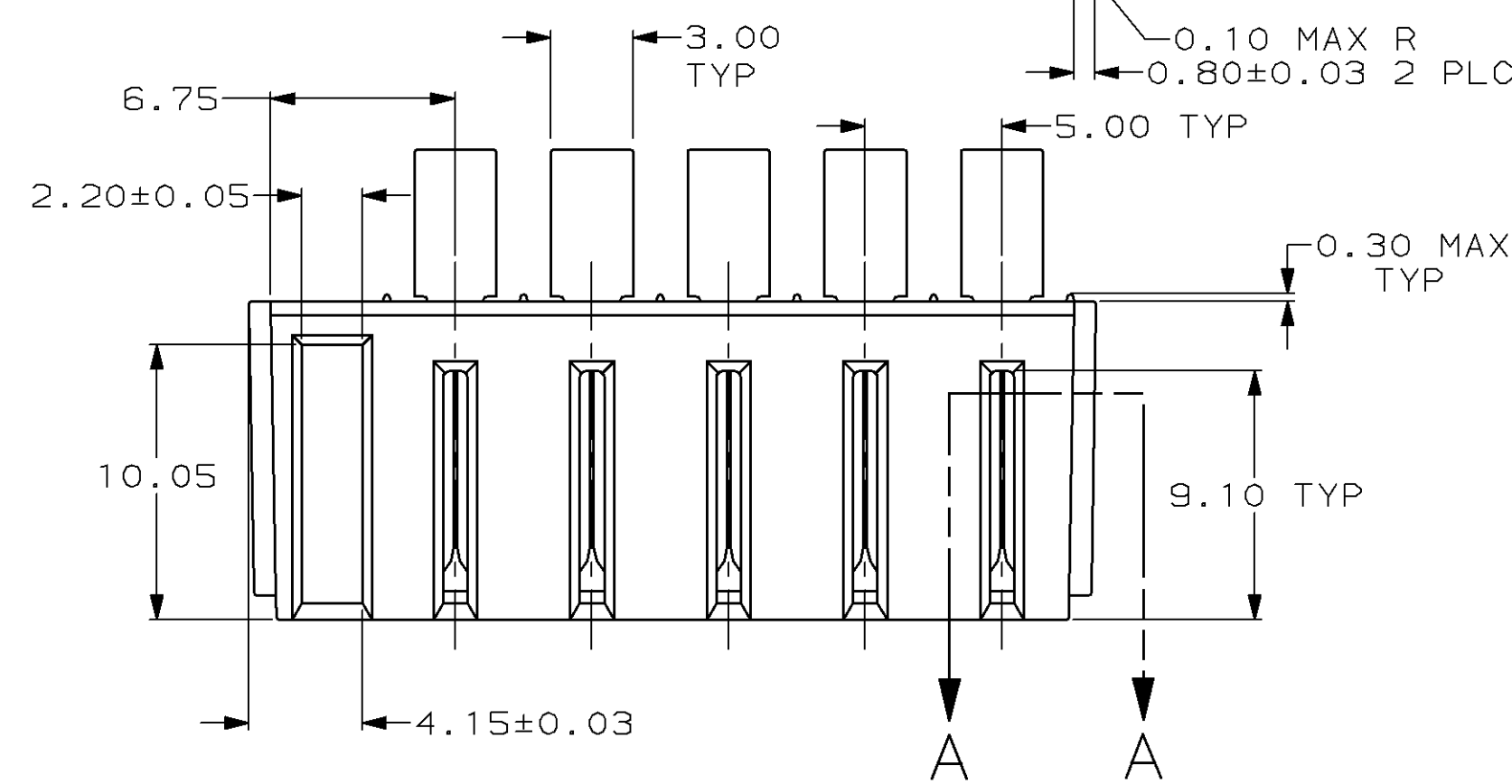
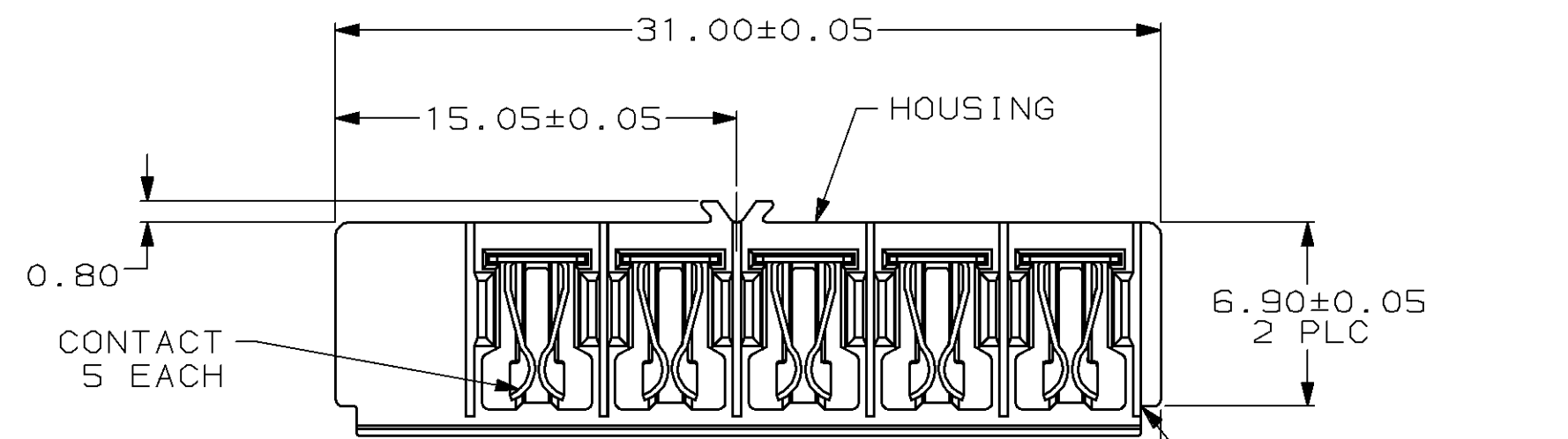


LOC		DIST		ZONE		LTR		REVISIONS		DATE	APPD
BD	39	P	F					0	RELEASED PER NPR 5430 WAS 95-2258-1-1	10/9/95	RSK



DO NOT SCALE PRINT. UNLESS SPECIFIED DIMENSIONS IN mm TOLERANCES ON : 2 PLC DEC ±0.10 3 PLC DEC ± - ANGLES ± 2°		DR 10/9/95 R.S.KLINE		AMP Incorporated Harrisburg, PA 17105-3608	
MATERIAL HOUSING: POLYCARBONATE COLOR: BLACK CONTACTS: COPPER ALLOY		CHK 10/12/95 R.S.KLINE			
FINISH CONTACTS: PRE-NICKEL		APPD 10/12/95 R.S.KLINE		NAME INSERT ASSEMBLY, 5 POSITION, SINGLE KEY, DOVETAIL LOCATOR, 5mm ⌀, 7.2 VOLT, BATTERY INTERCONNECT	
APPLICATION SPEC		SIZE	CAGE CODE	DRAWING NO	
-		Ⓒ	00779	Ⓒ=787613	
WEIGHT		SCALE	4:1	REV.: C	SHEET 1 OF 1
-		CUSTOMER DRAWING			

单击下面可查看定价，库存，交付和生命周期等信息

[>>TE Connectivity\(泰科\)](#)