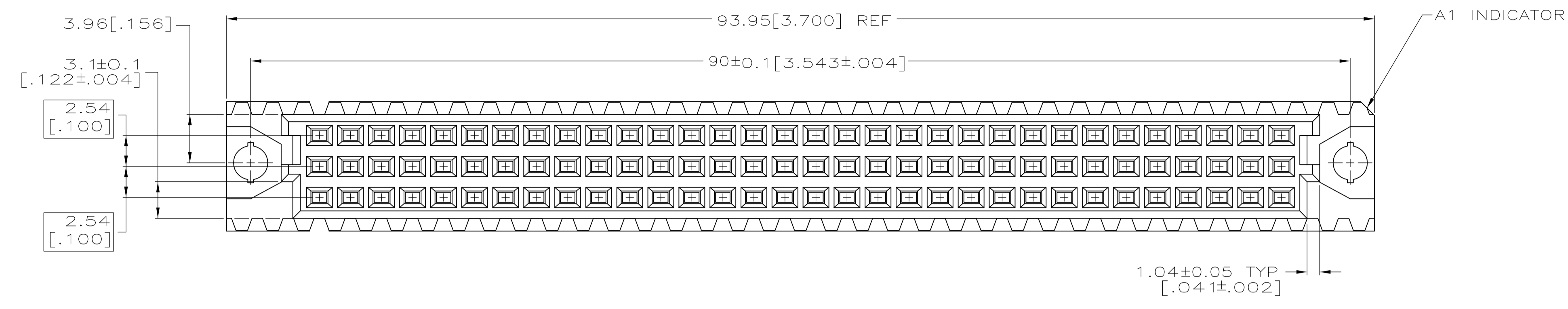
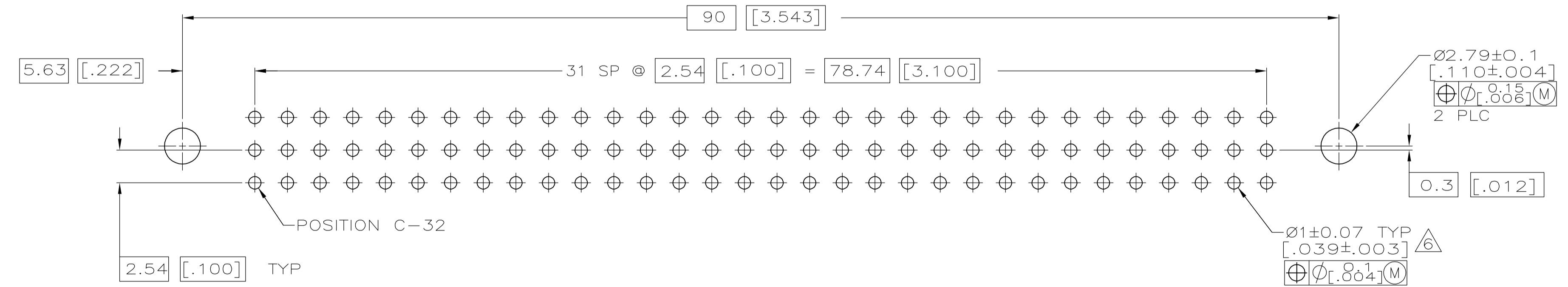
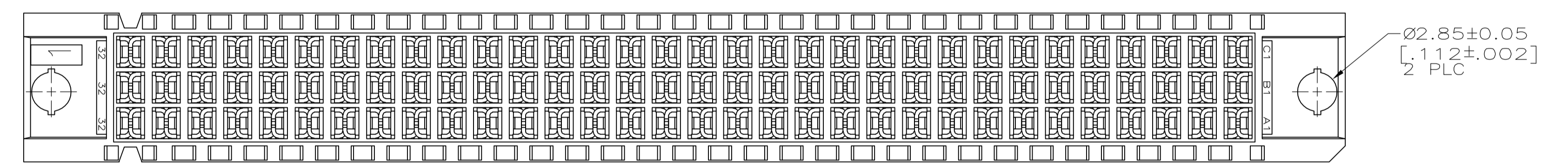
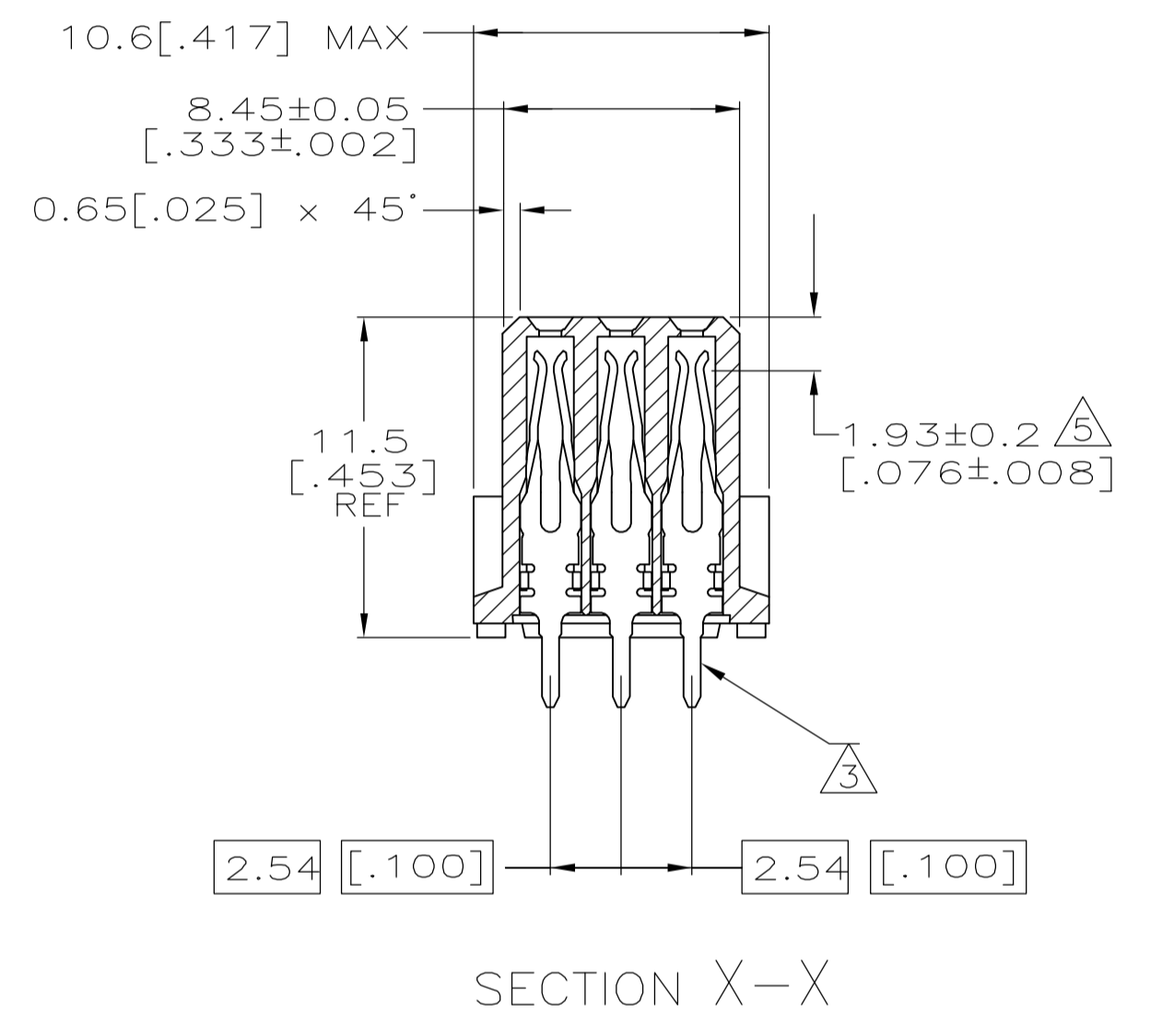
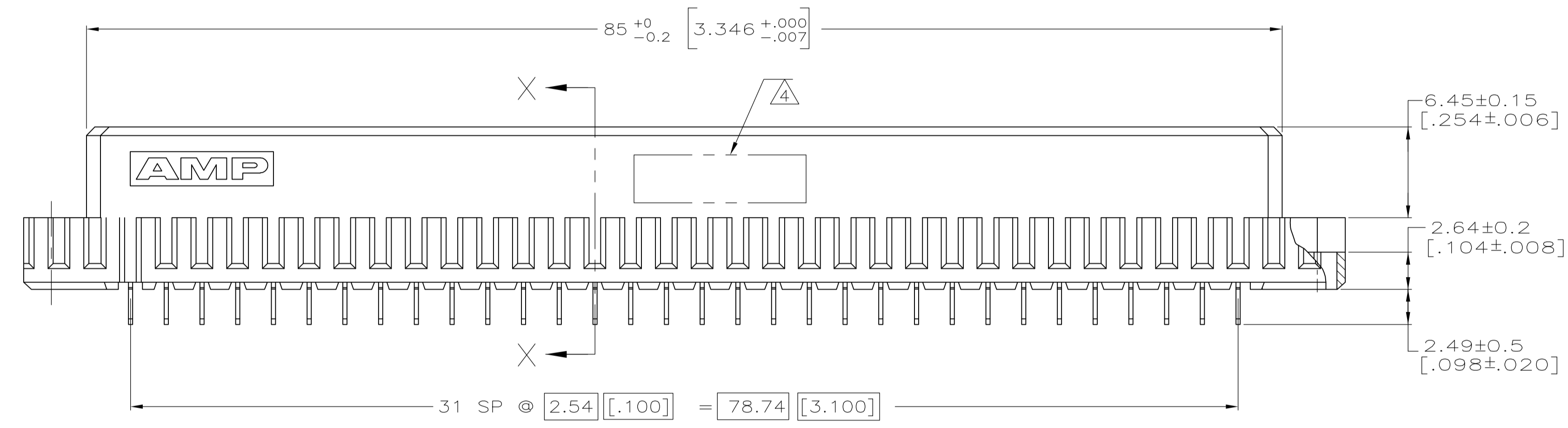


LOC		DIST		REVISONS			
AD	25	REV	DESCRIPTION	DATE	BY	APPROV	
0			RELEASED PER EC 0512-00B2-05	27MAY05	JDP	AMS	



- 1 HOUSING MATERIAL: GLASS-FILLED POLYMER.
- 2 CONTACT MATERIAL: COPPER ALLOY.
- 3 CONTACT FINISH: DIN 41612 CLASS 2 IN CONTACT AREA. TIN PLATE ON POSTS.
- 4 PART NUMBER, DATE CODE IDENTIFICATION, CSA LOGO IN THIS APPROXIMATE AREA, ON REVERSE SIDE.
- 5 CONTACT POINT.
- 6 RECOMMENDED HOLE SIZE FOR MANUAL APPLICATION OF CONNECTOR ONTO PC BOARD.



1 THRU 32	X	X	X	96	535089-5
POSITIONS LOADED	C	B	A	NO. OF LOADED POSITIONS	ASSY PART NUMBER

THIS DRAWING IS A CONTROLLED DOCUMENT.		DIN J. POLIGNONE 27MAY05		Tyco Electronics Corporation	
DIMENSIONS: mm [INCHES]		GJK A. SHARPE 27MAY05		Harrisburg, Pa 17105-3608	
TOLERANCES UNLESS OTHERWISE SPECIFIED:		APVD A. SHARPE 27MAY05		NAME	
0 PLC	± -	PRODUCT SPEC		ASSEMBLY, RECEPTACLE, EUROCARD, TYPE C, LEAD-FREE, 96 POSITION, 2.49 [.089] SOLDER POSTS	
1 PLC	± -	APPLICATION SPEC		SIZE	
2 PLC	± -	WEIGHT		CAGE CODE	
3 PLC	± 0.13 [.005]	CUSTOMER DRAWING		DRAWING NO	
4 PLC	± -	SCALE		RESTRICTED TO	
ANGLES	± -	4:1		A1 00779 C=5535089	
FINISH	3	SHEET		REV	
		1 OF 1		0	

单击下面可查看定价，库存，交付和生命周期等信息

[>>TE Connectivity\(泰科\)](#)