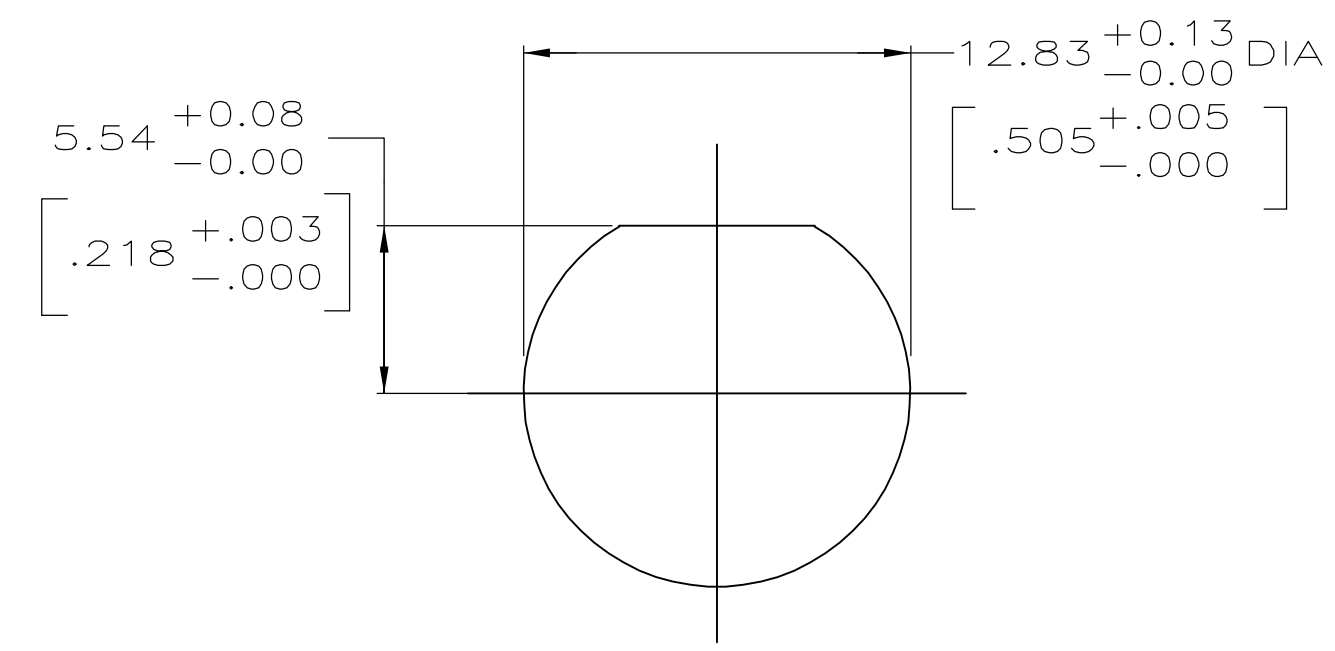
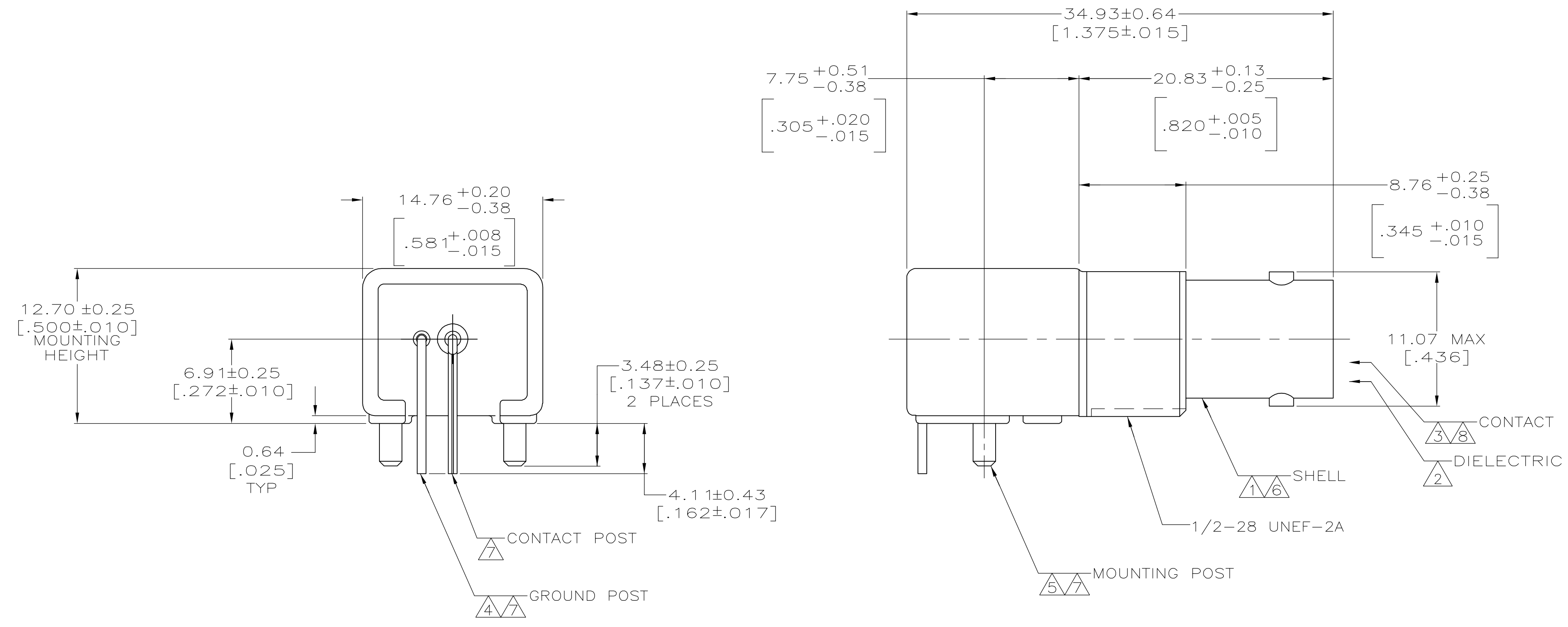
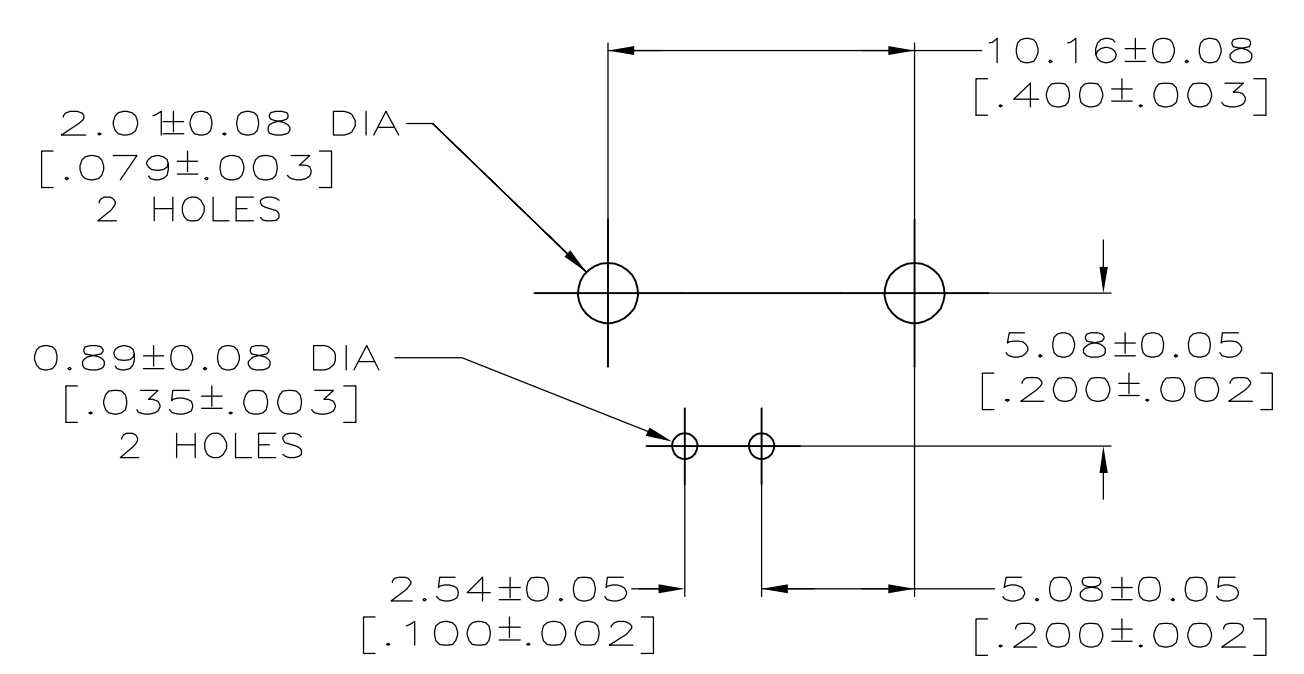


LOC		DIST		REVISIONS			
F	LTR	DESCRIPTION	DATE	DWN	APPD		
A		REVISED PER EC 0514-0150-05	20OCT2005	REH	JL		

- ① ZINC PER QQ-Z-363.
- ② POLYMETHYLPENTENE PER ASTM-D-1238.
- ③ PHOSPHOR BRONZE PER QQ-B-750.
- ④ BRASS PER ASTM-B-453.
- ⑤ BRASS PER ASTM-B-16.
- ⑥ NICKEL PLATE PER QQ-N-290, 3.81μm [.000150] MINIMUM THICK.
- ⑦ TIN PLATE PER ASTM-B-545, 3.81μm [.000150] MINIMUM THICK.
- ⑧ GOLD PLATE PER ASTM-B-488, 0.76μm [.000030] MINIMUM THICK.
- 9. SEE INSTRUCTION SHEET 408-2769.



RECOMMENDED PANEL CUTOUT



PCB CONFIGURATION

6274084-1
 PART NUMBER

THIS DRAWING IS A CONTROLLED DOCUMENT.		DWN J. ALCORTA - 28APR2005	Tyco Electronics Corporation Harrisburg, PA 17105-3608	
DIMENSIONS: mm [INCHES]		CHK J. HAVENER - 28APR2005	APPROVED J. LIPPERT - 28APR2005	
TOLERANCES UNLESS OTHERWISE SPECIFIED:		NAME JACK, RIGHT ANGLE, PCB 75 OHM, SERIES BNC		
0 PLC ± -		PRODUCT SPEC		
1 PLC ± -		APPLICATION SPEC		
2 PLC ± 0.20 [.008]		SIZE A1		
3 PLC ± -		CAGE CODE 00779		
4 PLC ± -		DRAWING NO 6274084		
ANGLES ± -		RESTRICTED TO		
FINISH SEE NOTES 6 THRU 8		WEIGHT		
MATERIAL SEE NOTES 1 THRU 5		CUSTOMER DRAWING		
		SCALE 1:1 SHEET 1 OF 1 REV A		

单击下面可查看定价，库存，交付和生命周期等信息

[>>TE Connectivity\(泰科\)](#)