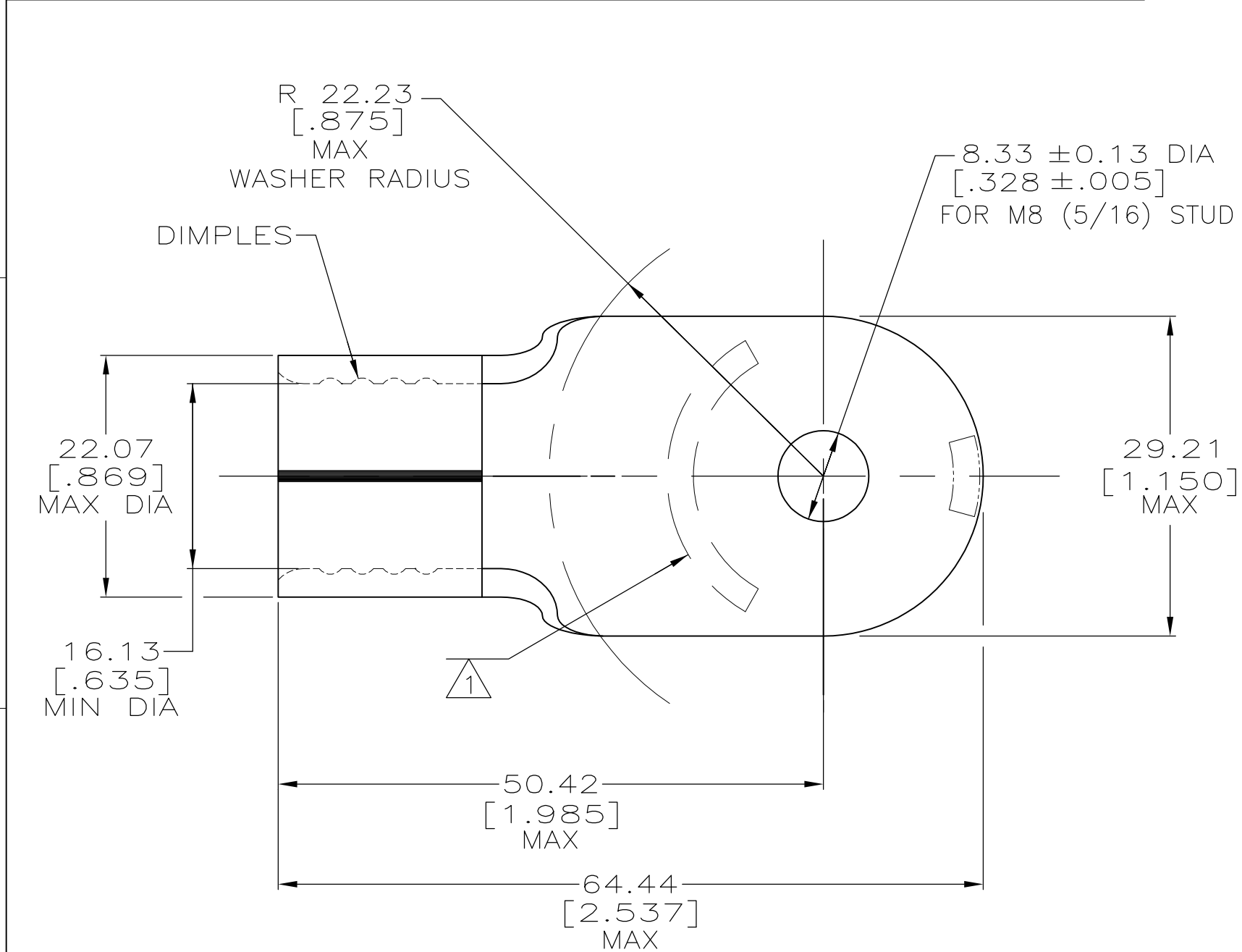


THIS DRAWING IS UNPUBLISHED. RELEASED FOR PUBLICATION
 © COPYRIGHT - By - ALL RIGHTS RESERVED.

REVISIONS					
P	LTR	DESCRIPTION	DATE	DWN	APVD
D3		REVISED PER ECO-12-002699	13FEB12	KH	DR
D4		REVISED PER ECR-16-018115	03JAN2017	RS	DR



AMP WIRE RANGE	Listed FILE E13288	LR7189 Certified
4/0 AWG SOLID OR STRANDED	4/0 AWG SOLID OR STRANDED	4/0 AWG SOLID OR STRANDED

- 1 STAMP AMP 4/0W* 200 APPROX AS SHOWN
- 2 MATERIAL THK: 2.59±0.08 [.102±.003]
- 3 COPPER PER ASTM B-152, ANNEALED
- 4 TIN PLATE 0.00254 [.000100] MIN EXT THK PER ASTM B545
- 5 MEETS MS20659-157, CLASS 2
- 6 NICKEL PLATE 0.00762 [.000300] MIN EXT THK PER SAE AMS QQ-N-290
- 7 PART IS NOT UL LISTED OR CSA CERTIFIED

7 6	343°C [650°F]	321271-1
4	170°C [338°F]	5 321271
	RECOMMENDED OPERATING TEMP.	PART NUMBER

CUSTOMER SERVICE SYSTEMS

FOR ADDITIONAL PRODUCT INFORMATION OR COPIES OF DRAWINGS AND TECHNICAL DOCUMENTS	PRODUCT INFORMATION CENTER 1-800-522-6752	RECOMMENDED OPERATING TEMPERATURE: SEE TABLE
FOR APPLICATION TOOLING INFORMATION	TOOLING ASSISTANCE CENTER 1-800-722-1111	VOLTAGE RATING: NOT APPLICABLE
FOR ORDER ENTRY	1-800-526-5142	WIRE CROSS SECTIONAL AREA RANGE: 96.3-117.0mm ² [190,000-231,100] CIR MILS STRANDED

THIS DRAWING IS A CONTROLLED DOCUMENT.

DIMENSIONS: mm [INCHES]	TOLERANCES UNLESS OTHERWISE SPECIFIED:
	0 PLC ± -
	1 PLC ± -
	2 PLC ± 0.20 [.008]
	3 PLC ± -
	4 PLC ± -
	ANGLES ± -
MATERIAL	FINISH
3	SEE TABLE

DWN DK SCHRUM 15MAY96	TE Connectivity
CHK DM SWARTZ 01JUL96	
APVD JL MECKLEY 01JUL96	
PRODUCT SPEC	
NAME	TERMINAL, RING TONGUE, SOLISTRAND
APPLICATION SPEC	
WEIGHT	SIZE CAGE CODE DRAWING NO RESTRICTED TO
	A3 00779 C-321271
CUSTOMER DRAWING	SCALE 2:1 SHEET 1 OF 1 REV D4

单击下面可查看定价，库存，交付和生命周期等信息

[>>TE Connectivity\(泰科\)](#)