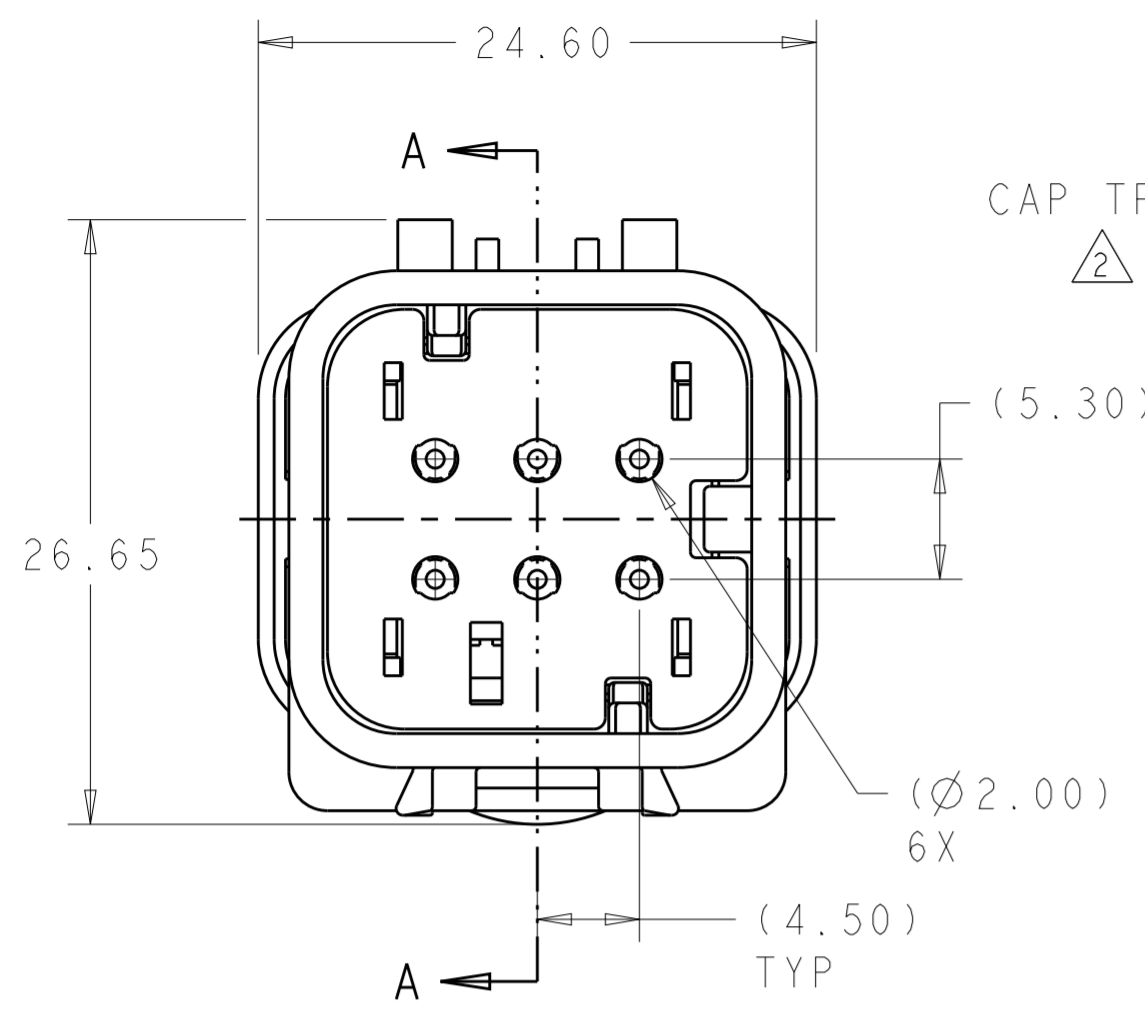
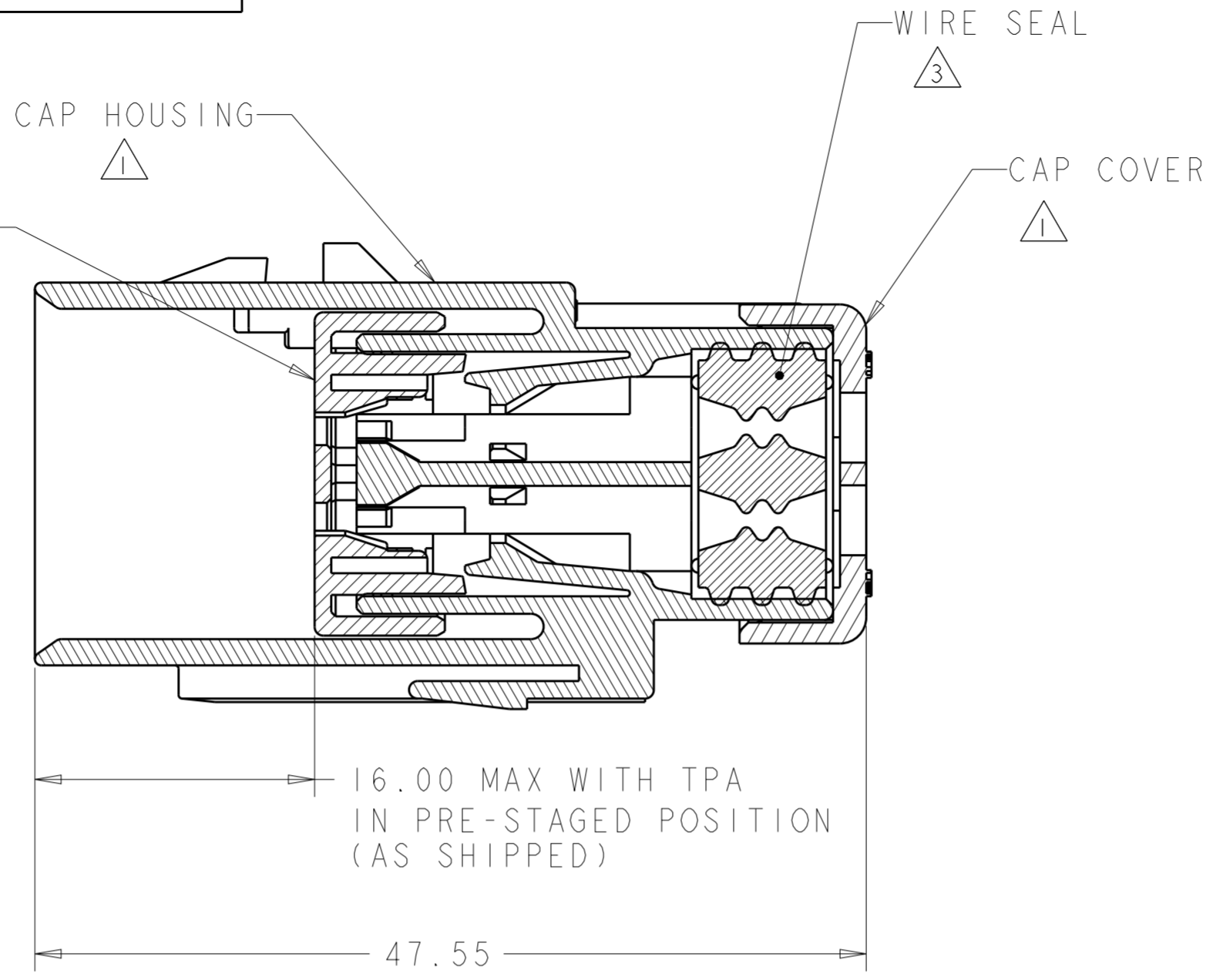


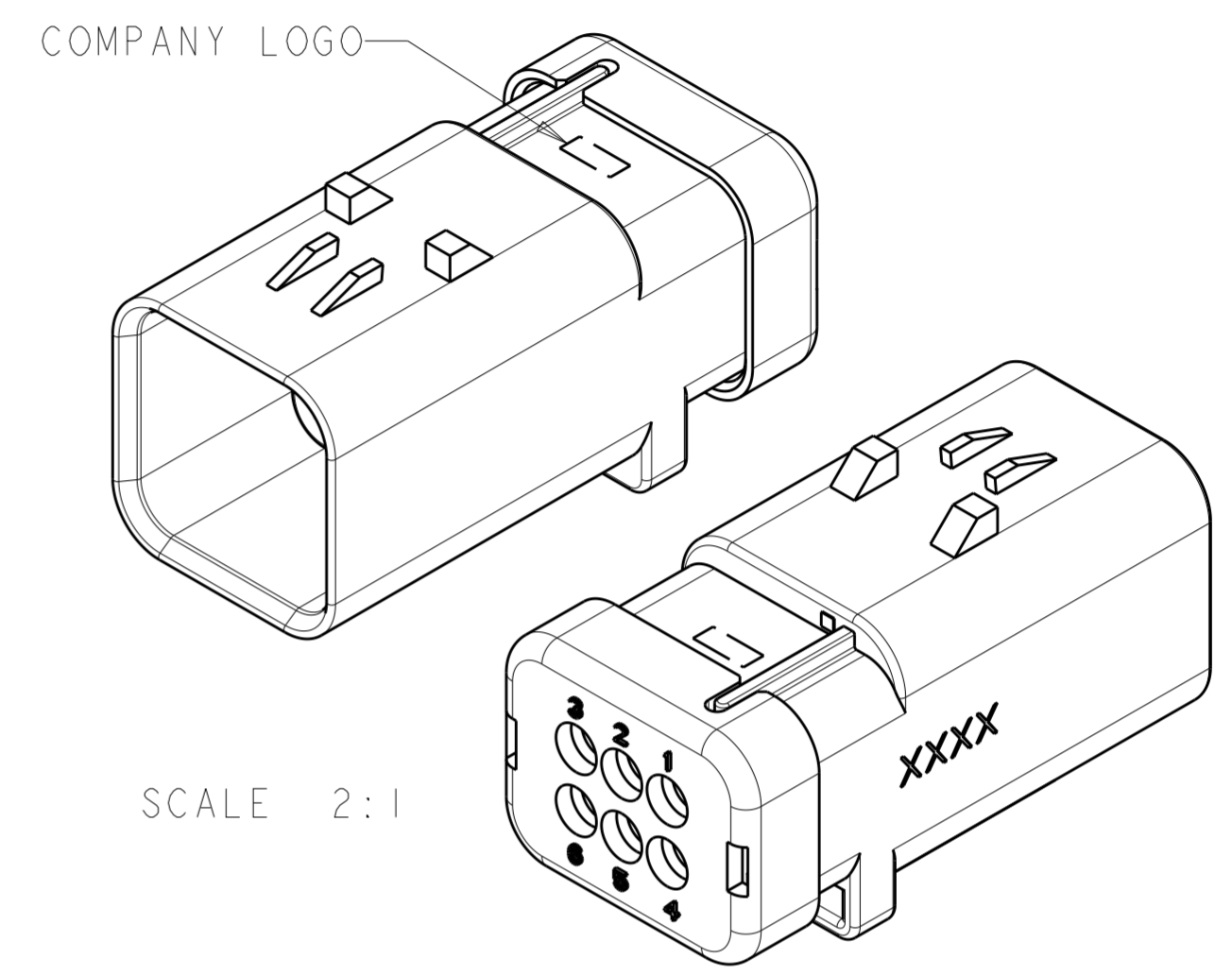
REVISIONS				
P	LTR	DESCRIPTION	DATE	APVD
A		RELEASED PER ECO-10-009942	28MAY2010	DD RB
B		REVISED PER ECO-13-019865	27DEC2013	DR RB



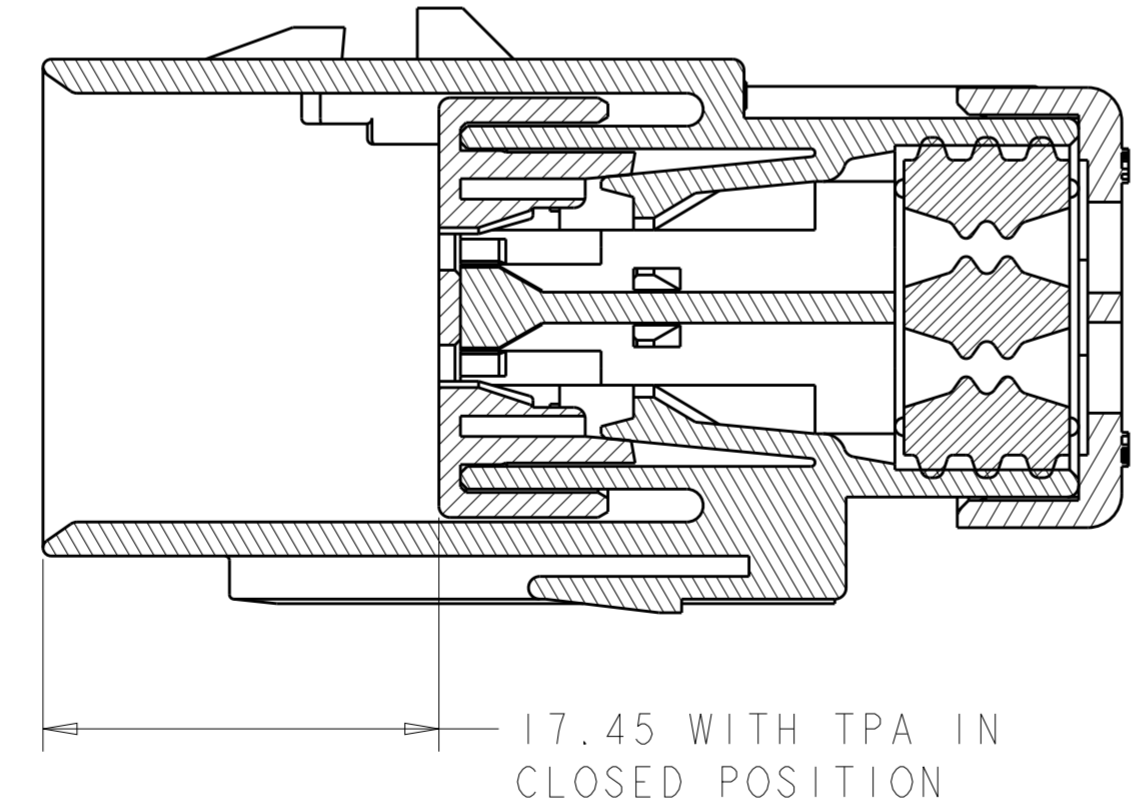
2098242-1 SHOWN
 ORANGE TPA
 KEY A



SECTION A-A
 OPEN POSITION

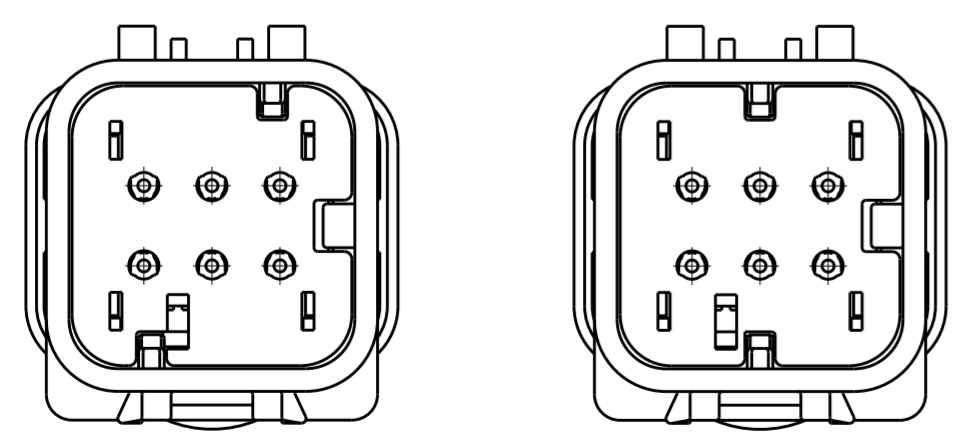


SCALE 2:1



SECTION A-A
 CLOSED POSITION

- ① HOUSING AND COVER MATERIAL: 25% GLASS FILLED THERMOPLASTIC
 COLOR: NATURAL (BROWN)
 - ② TPA MATERIAL: 15% GLASS FILLED THERMOPLASTIC
 COLOR: (SEE TABLE)
 - ③ SEAL MATERIAL: SILICONE
 COLOR: LIGHT GRAY
4. RECOMMENDED WIRE DIAMETER RANGE IS 1.30 TO 2.54mm



2098242-2
 PURPLE TPA
 KEY B
 SCALE 2:1

2098242-3
 BLUE TPA
 KEY C
 SCALE 2:1

KEY	TPA COLOR	PART NUMBER
C	BLUE	2098242-3
B	PURPLE	2098242-2
A	ORANGE	2098242-1

THIS DRAWING IS A CONTROLLED DOCUMENT.		DWN 08 JUN 2009 RUSTY WORTHINGTON	TE Connectivity
DIMENSIONS: mm		CHK 08 JUN 2009 ROGER BALTER	
TOLERANCES UNLESS OTHERWISE SPECIFIED:		APVD 08 JUN 2009 ROGER BALTER	NAME
0 PLC ±		PRODUCT SPEC	CAP ASSEMBLY,
1 PLC ±0.5		APPLICATION SPEC	6 POSITION, DUAL ROW, AMPSEAL 16
2 PLC ±0.30		108-2184	REDUCED DIA WIRE SEAL, VO MATERIAL
3 PLC ±		114-13065	SIZE CAGE CODE DRAWING NO
4 PLC ±		WEIGHT 15.5±1g	A200779 C-2098242
ANGLES ±		CUSTOMER DRAWING	RESTRICTED TO
FINISH -		SCALE 3:1	SHEET 1 OF 1
MATERIAL ①②③			REV B

单击下面可查看定价，库存，交付和生命周期等信息

[>>TE Connectivity\(泰科\)](#)