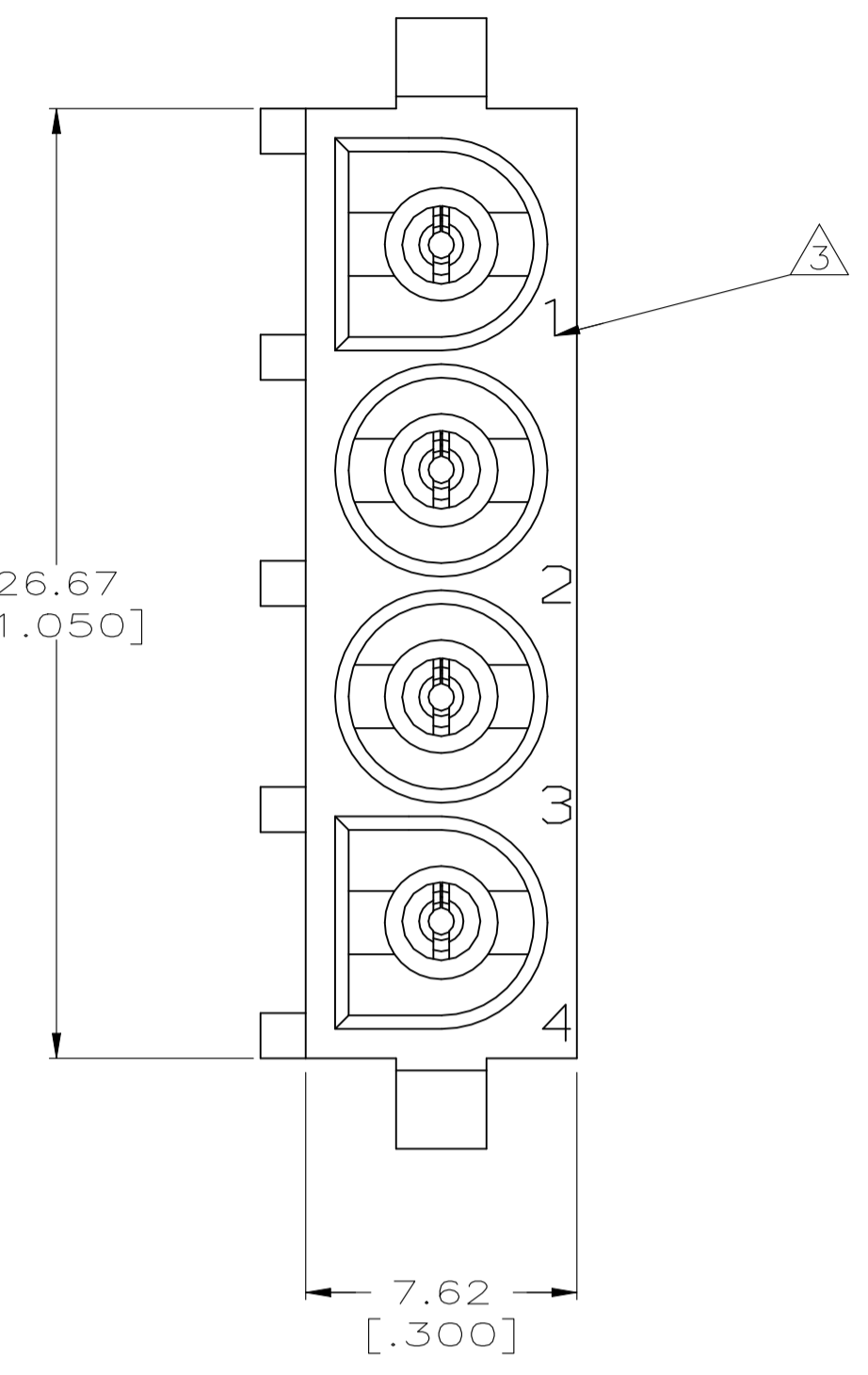
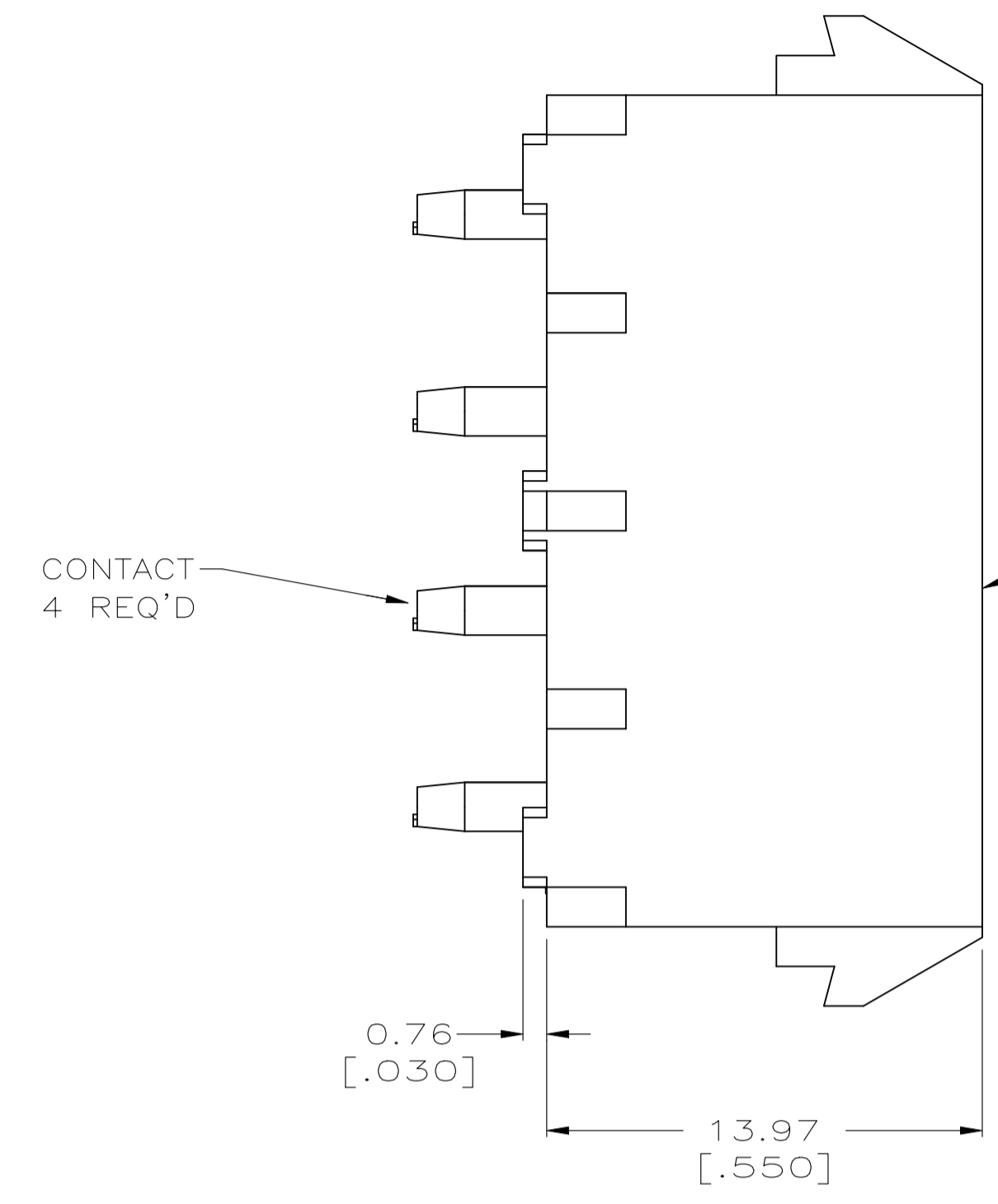
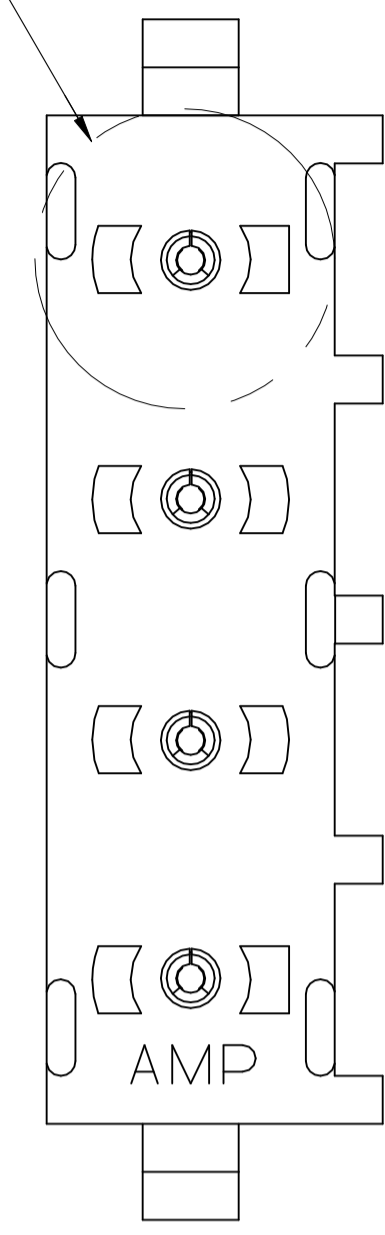
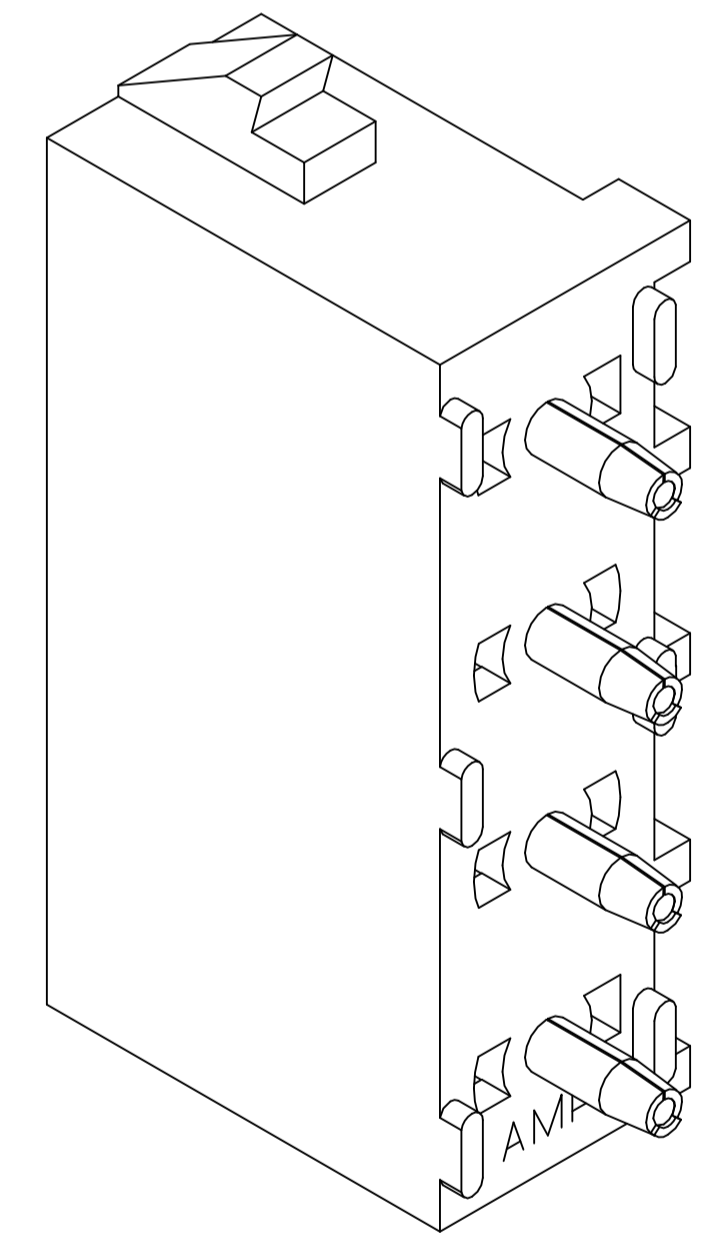
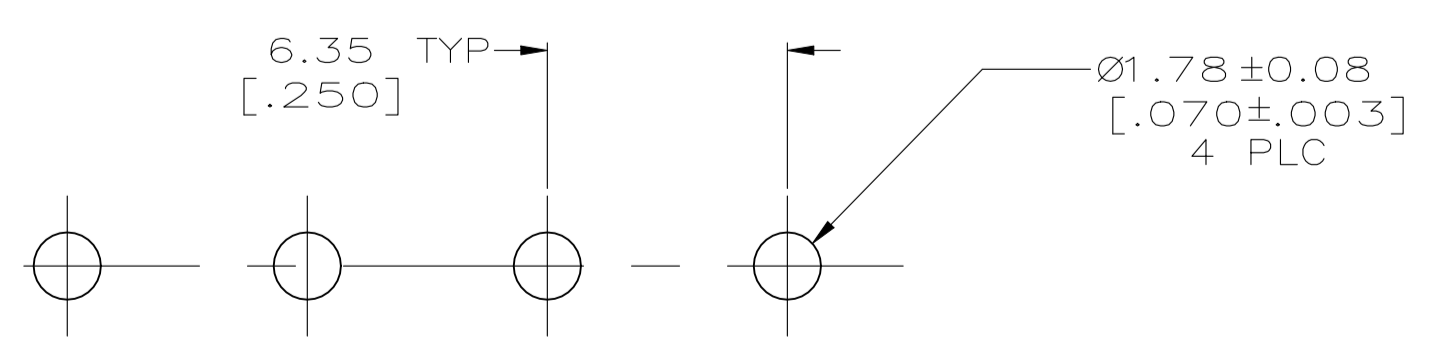
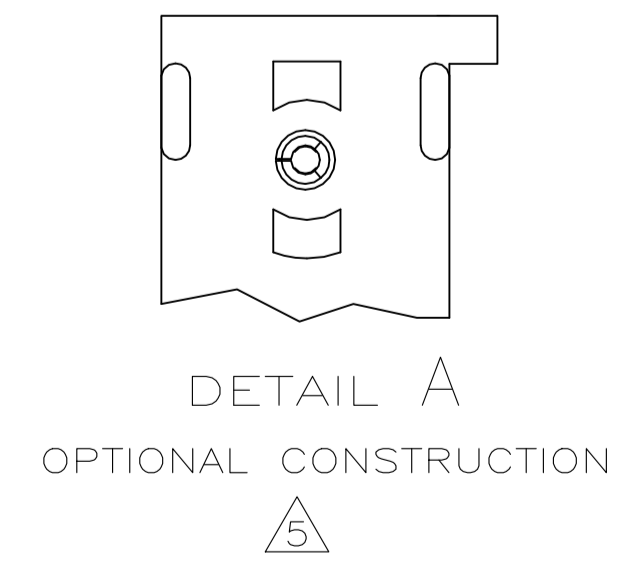
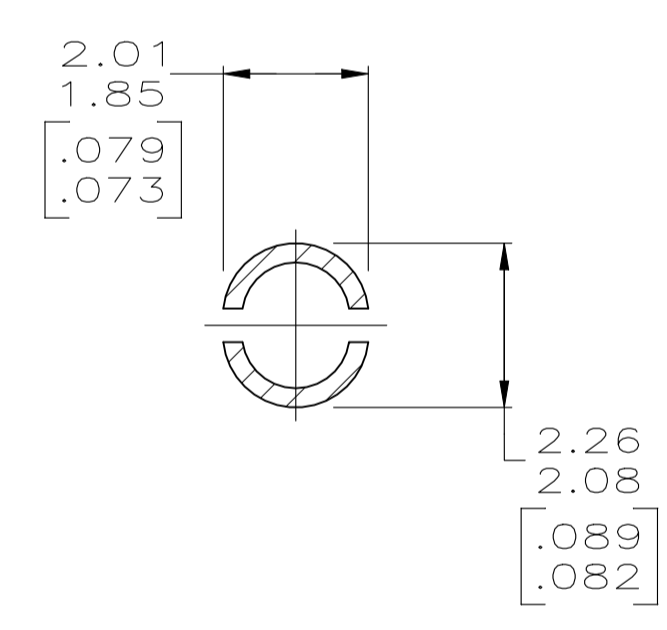
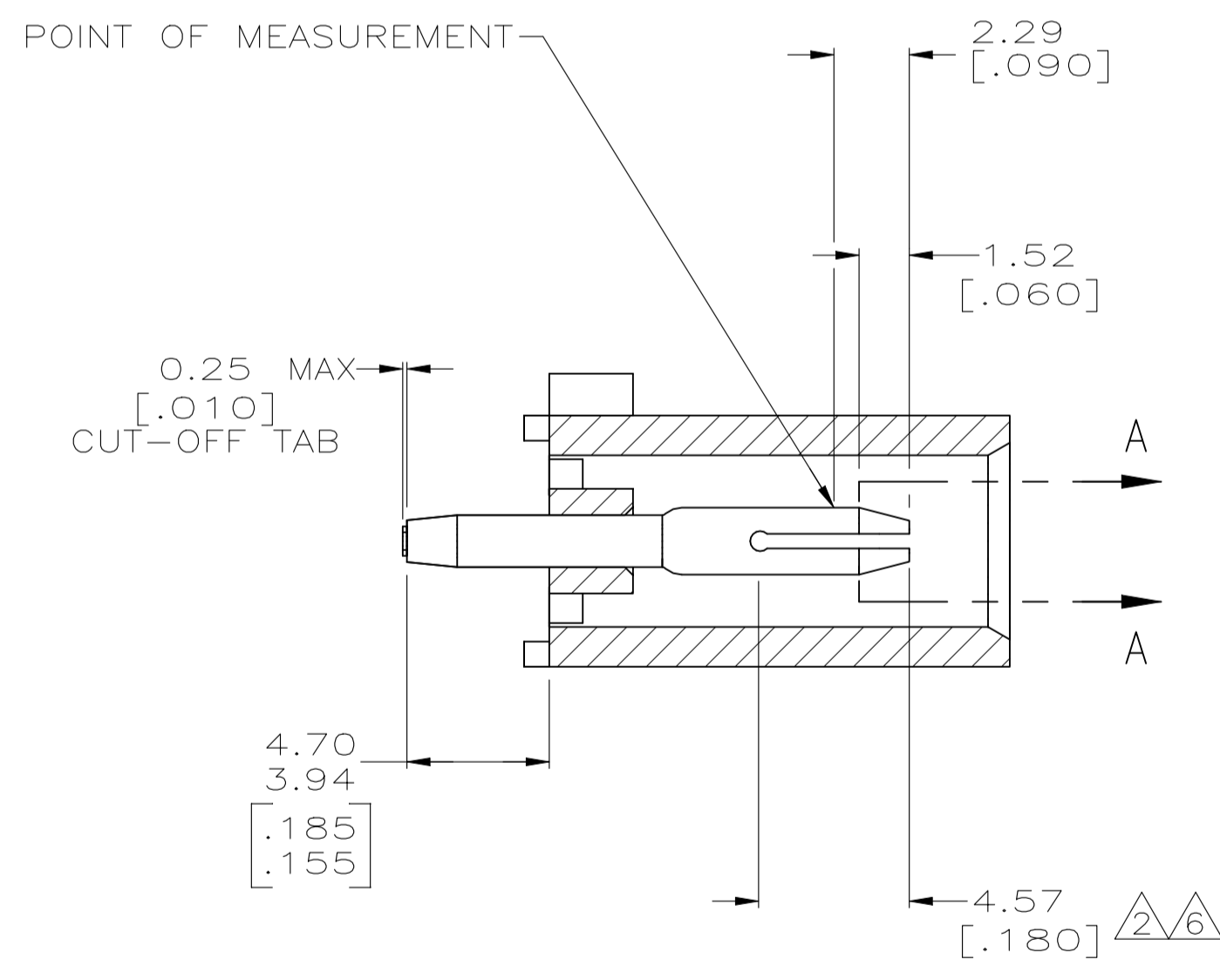


REVISIONS					
REV	DATE	DESCRIPTION	BY	CHK	APP'D
Y3		REVISED PER ECR-21-119230		SS	VS

SEE DETAIL A



- 1 PARTS COMPLY TO AMP SOLDERABILITY SPECIFICATION 109-11-3.
- 2 CONTACT IS PLATED OVERALL WITH 0.00127 [.000050] NICKEL, THEN 0.00076 [.000030] GOLD OVER CONTACT LENGTH INDICATED AND MATTE TIN LEAD ON SOLDER TAIL END.
- 3 CIRCUIT IDENTIFICATION CHARACTERS ARE ADJACENT TO THE INDICATED CAVITIES, BUT LOCATION AND ORIENTATION MAY DIFFER FROM PRINT.
- 4 DIMENSIONS IN BRACKETS ARE IN INCHES.
- 5 DRAIN HOLES LOCATED AS SHOWN. OPTIONAL CONSTRUCTION - ALL DRAIN HOLES LOCATED 90° AS SHOWN IN DETAIL A.
- 6 CONTACT IS PLATED OVERALL WITH 0.00127 [.000050] NICKEL, THEN 0.00076 [.000030] GOLD OVER CONTACT LENGTH INDICATED AND MATTE TIN ON SOLDER TAIL END.
- 7 SUPERSEDED BY 350430-4
- 8 DIMENSIONS SHOWN REPRESENT PRODUCT IN DRY CONDITION. ADDITIONAL 2% GROWTH DUE TO END USE LOCATION MOISTURE ABSORPTION MAY OCCUR AND SHOULD BE ACCOUNTED FOR.



PHOSPHOR BRONZE, GOLD		NYLON, UL94V-2,NATURAL		350430-4	
PHOSPHOR BRONZE, GOLD		NYLON, UL94V-2,NATURAL		350430-2	
PHOSPHOR BRONZE, PRE-TIN		NYLON, UL94V-2,NATURAL		350430-1	
PIN CONTACT MATERIAL AND FINISH		HOUSING MATERIAL		PART NUMBER	
THIS DRAWING IS A CONTROLLED DOCUMENT.		DIN 8-25-98		TE Connectivity	
DIMENSIONS: mm [INCHES]		TOLERANCES UNLESS OTHERWISE SPECIFIED:		APPROVED: M. TRULLI	
0 PLC ± -		1 PLC ± -		NAME: PIN HEADER ASSEMBLY, 4 CIRCUIT UNIVERSAL MATE-N-LOK™	
2 PLC ± 0.13 [.005]		3 PLC ± -		APPLICATION SPEC	
4 PLC ± -		ANGLES ± ± 0°30'		SIZE: A1	
MATERIAL: SEE TABLE		FINISH: SEE TABLE		WEIGHT: 0.000000	
				CUSTOMER DRAWING	
				SCALE: 5:1	
				SHEET 1 OF 1	
				REV: Y3	

单击下面可查看定价，库存，交付和生命周期等信息

[>>TE Connectivity\(泰科\)](#)