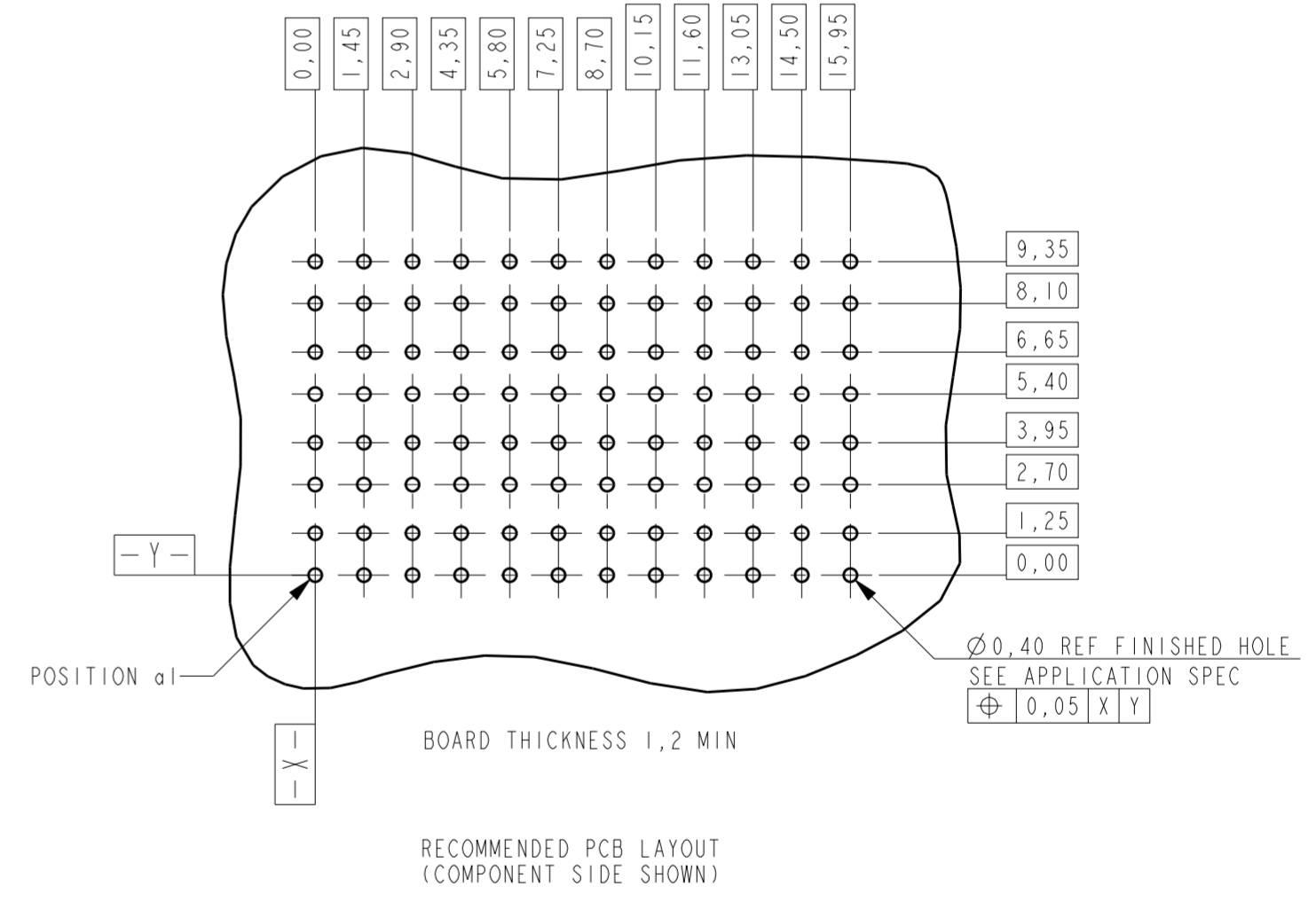
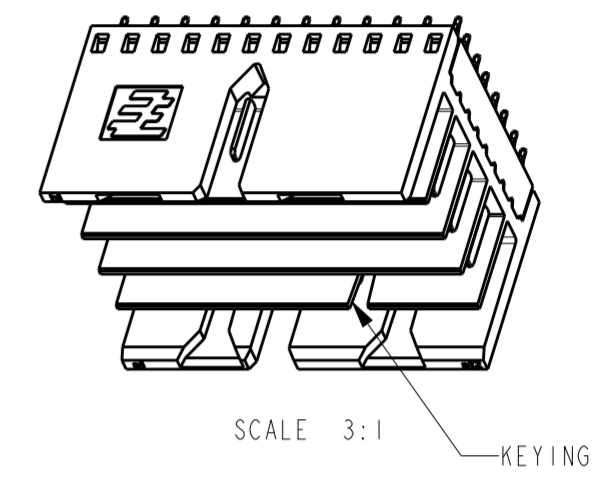
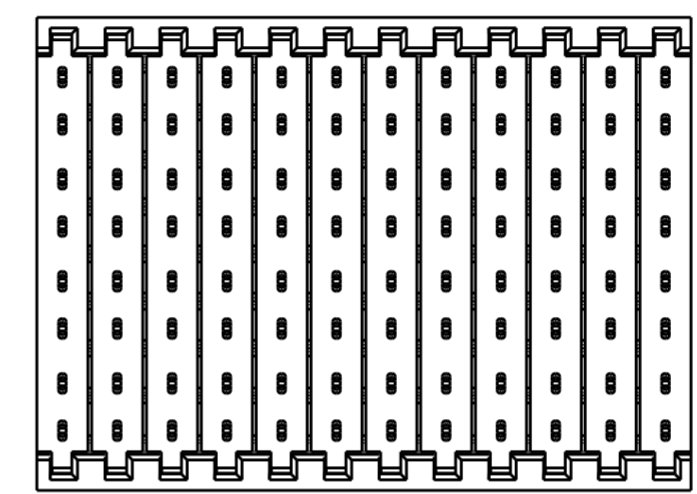
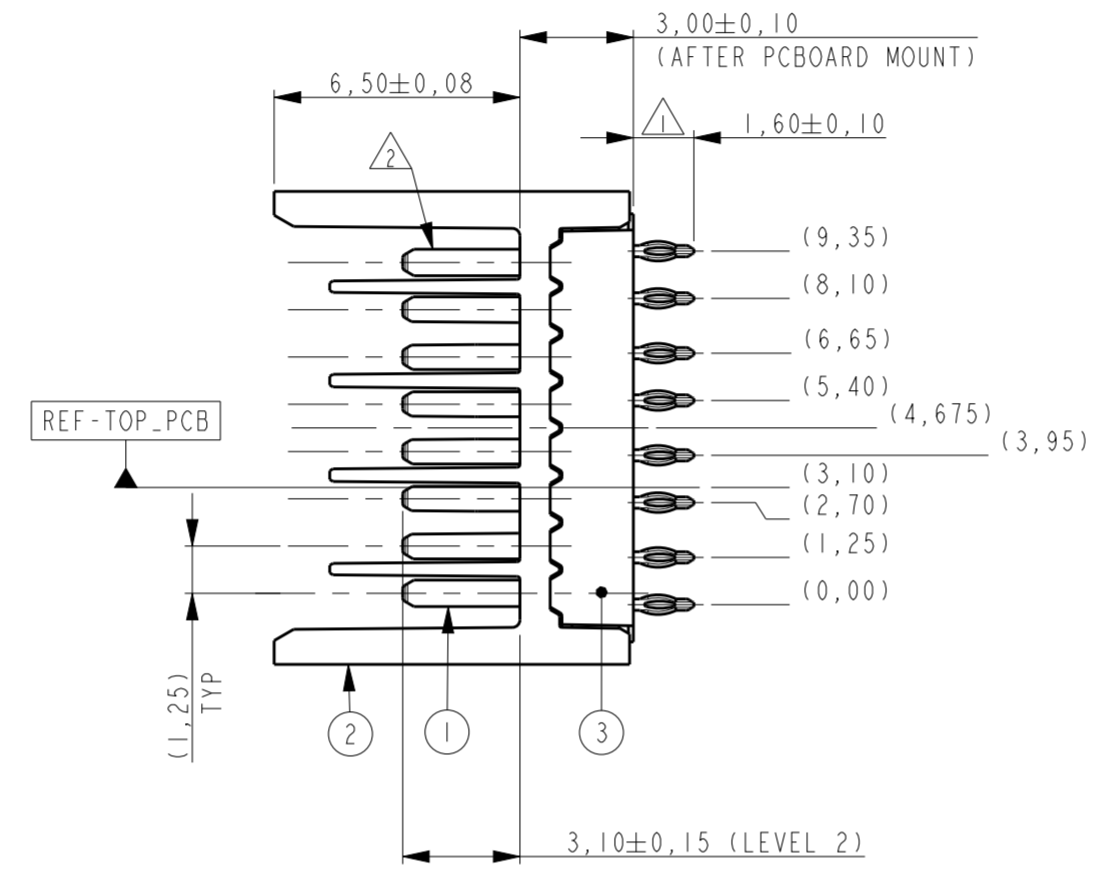
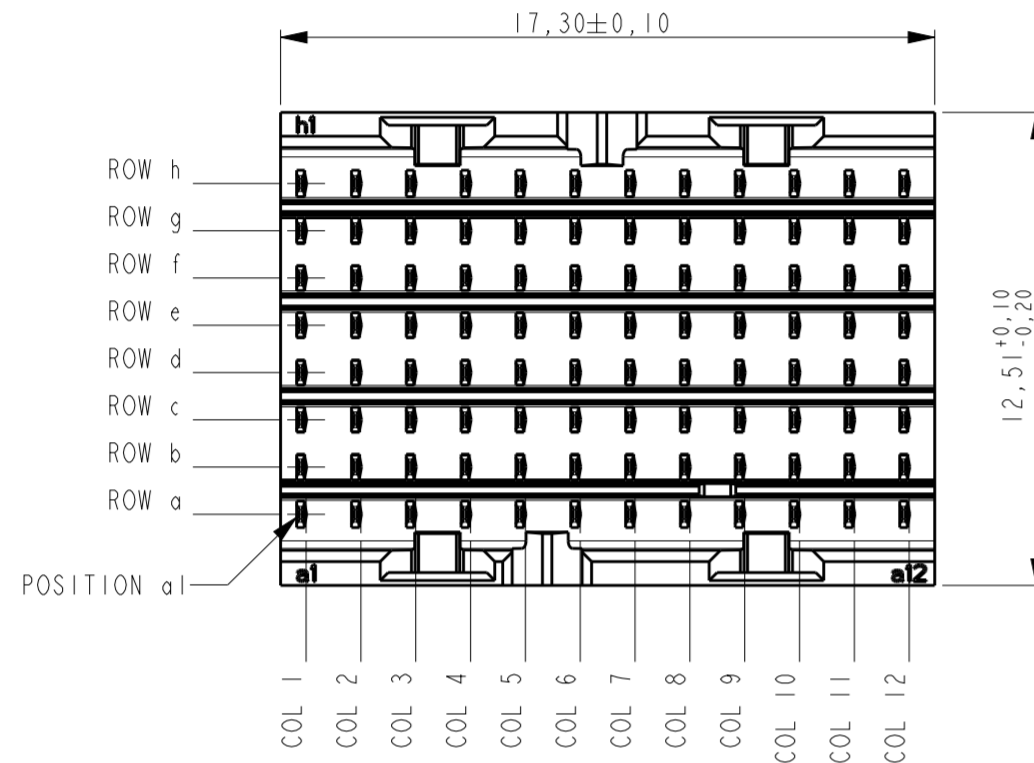
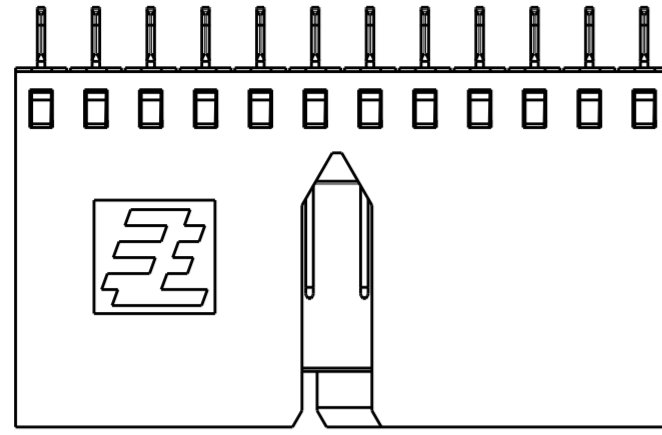


THIS DRAWING IS UNPUBLISHED. RELEASED FOR PUBLICATION
 © COPYRIGHT - BY TYCO ELECTRONICS CORPORATION. ALL RIGHTS RESERVED.

LOC		DIST		REVISIONS			
P	LTR	DESCRIPTION	DATE	DWN	APVD		
A		DRAWING RELEASED PER ECR-11-017294	22AUG2011	JvdH	TdB		
B		ADDED TOLERANCES PER ECR-13-006546	17APR2013	JvdH	GJV		
C		REVISED PER ECR-13-017996	11DEC2015	FL	FY		



NOTES:
 △ PLATING: 0,5µm MIN. TIN OVER NICKEL.
 △ PLATING:

PARTNUMBER	PERFORMANCE LEVEL
2042088-1	PERFORMANCE LEVEL 1: CONNECTOR TESTED AND QUALIFIED AGAINST TELCORDIA GR-1217-CORE QUALITY LEVEL III: UNCONTROLLED ENVIRONMENT APPLICATIONS. SEE PRODUCT SPEC 108-19353
2042088-2	PERFORMANCE LEVEL 2: CONFORMS TO ALL TESTING ACCORDING PRODUCT SPEC 108-19320, -250 MATING CYCLES, 4 DAYS MIXED GAS TEST PER IEC 60068-2-60 METHOD 1

3 CONSULT APPLICATION SPEC OR CONTACT TE CONNECTIVITY FOR PERMISSIBLE CONTACT ASSIGNMENTS.
 △ CONNECTOR MARKED WITH PARTNUMBER AND DATE CODE.

THIS DRAWING IS A CONTROLLED DOCUMENT.

DWN	3 jan 08	 TE Connectivity	NAME MALE CONNECTOR Z-PACK Slim UHD		
CHK	3 jan 08				
APVD	3 jan 08				
PRODUCT SPEC	J. BROEKSTEEG				
APPLICATION SPEC	SEE NOTE 2	SIZE	CAGE CODE	DRAWING NO	RESTRICTED TO
	114-19106	A2	00779	C-2042088	-
MATERIAL		CUSTOMER DRAWING	SCALE 5:1	SHEET 1 OF 1	REV C

单击下面可查看定价，库存，交付和生命周期等信息

[>>TE Connectivity\(泰科\)](#)