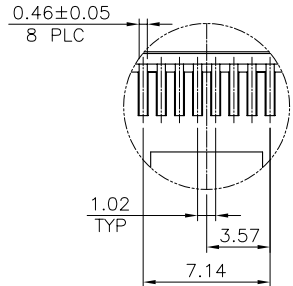
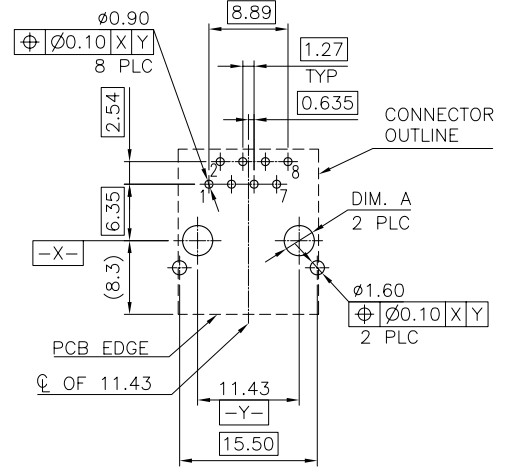
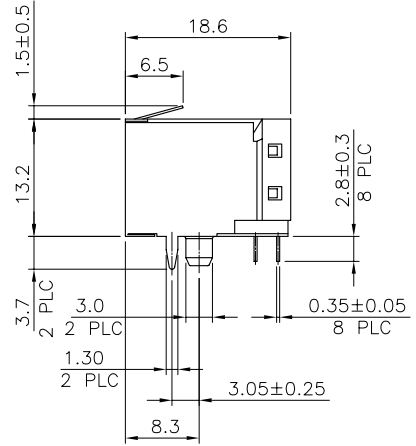
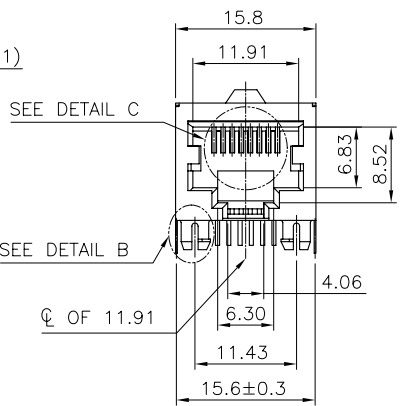
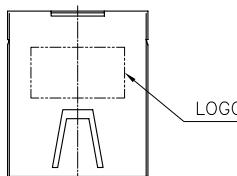


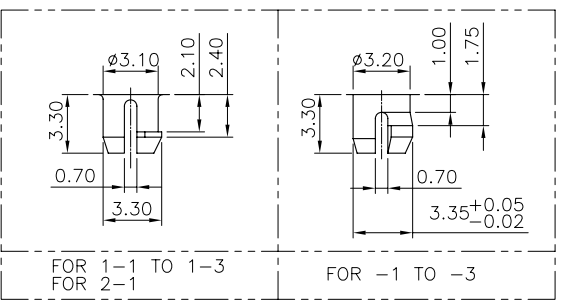
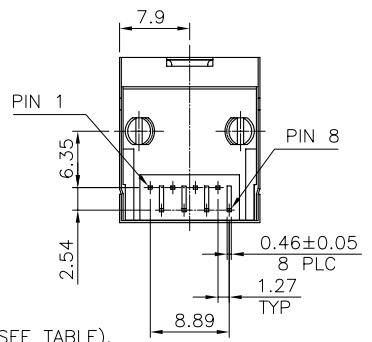
LOC	DIST	REVISIONS					
DW	-	P	LTR	DESCRIPTION	DATE	DWN	APVD
		A2		REVISED (ECR-11-012100)	10JUN11	SC	WK



DETAIL C (SCALE 2:1)



RECOMMENDED PCB LAYOUT  
 RECOMMENDED PCB THICKNESS: 1.6mm  
 TOLERANCE: ±0.05 (TOP VIEW)



DETAIL B (SCALE 2:1)

OBSOLETE	BLACK	Ø3.20	0.381µm [15µ"]	2-1734264-1
		Ø3.20	1.27µm [50µ"]	1-1734264-3
OBSOLETE	BLACK	Ø3.20	0.762µm [30µ"]	1-1734264-2
			0.381µm [15µ"]	1-1734264-1
		Ø3.40	1.27µm [50µ"]	1-1734264-3
			0.762µm [30µ"]	1-1734264-2
		0.381µm [15µ"]	1-1734264-1	
HOUSING COLOR	DIM. A	MIN. GOLD THICKNESS	PART NUMBER	

- NOTE:
- MATERIAL:  
 HOUSING: PA46, WITH 30% GF, UL 94V-0, COLOR : (SEE TABLE).  
 CONTACTS: PHOSPHOR BRONZE.  
 SHELL: BRASS.
  - FINISH:  
 CONTACTS: (SEE TABLE) GOLD PLATED ON CONTACT AREA, GOLD FLASH ON SOLDER TAIL, WITH ENTIRE CONTACT UNDERPLATED 1.27µm [50µ"] MIN. NICKEL.  
 SHELL: 0.508µm [20µ"] MIN. NICKEL PLATED.
  - WAVE SOLDER CAPABLE TO 265°C PER TE SPEC 109-202, CONDITION B.

△ OBSOLETE PARTS: OBSOLETE CIS STREAMLINING PER D.RENAUD/D.SINISI

THIS DRAWING IS A CONTROLLED DOCUMENT.		DWN B. HSING 01JUL2009		
		CHK S. CHIEN 01JUL2009		
		APVD W. KODAMA 01JUL2009	NAME	
DIMENSIONS: MM		PRODUCT SPEC	MODULAR JACK, RJ45, 8P8C, SIDE ENTRY, RIGHT ANGLE, WITH PANEL GROUND, LOW PROFILE	
TOLERANCES UNLESS OTHERWISE SPECIFIED:		APPLICATION SPEC	SIZE CAGE CODE DRAWING NO RESTRICTED TO	
0 PLC ± -		108-57527	A3 00779 C=1734264	
1 PLC ± 0.30		501-57604	SCALE SHEET 1 OF 2 REV A2	
2 PLC ± 0.20		WEIGHT 4.95 GRAMS		
3 PLC ± 0.15		CUSTOMER DRAWING		
4 PLC ± -				
ANGLES ± 3'				
MATERIAL SEE NOTE				
FINISH SEE NOTE				

4

3

2

1

THIS DRAWING IS UNPUBLISHED.

RELEASED FOR PUBLICATION

AUG., 2006.

© COPYRIGHT BY TYCO ELECTRONICS CORPORATION.

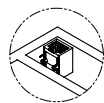
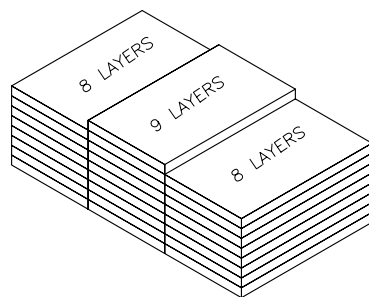
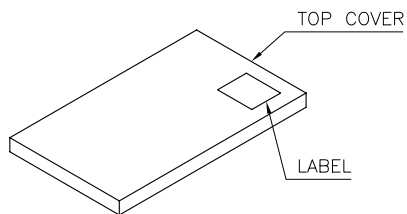
ALL RIGHTS RESERVED.

LOC DW

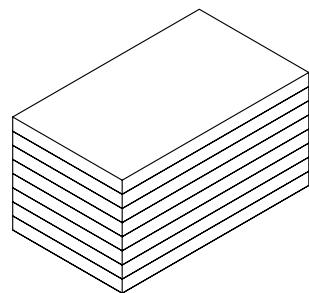
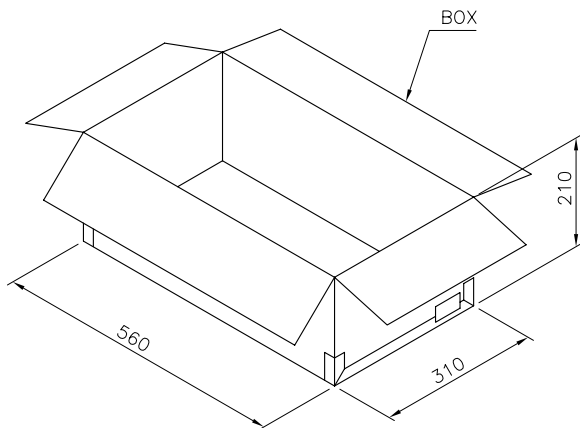
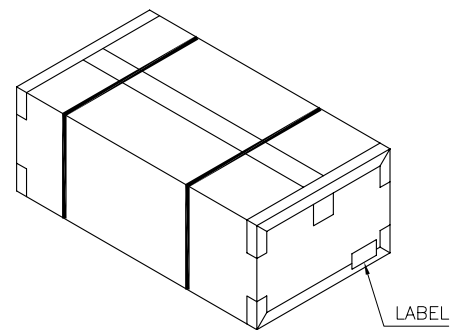
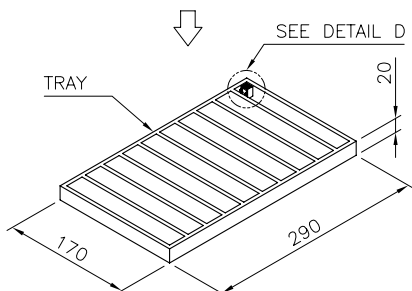
DIST

REVISIONS

P	LTR	DESCRIPTION	DATE	DWN	APVD
		SEE SHEET 1.			



DETAIL D



14.4 Kg	12.4 Kg	100	25	2500 PCS
GROSS WEIGHT (Ref.)	NET WEIGHT (Ref.)	PCS/TRAY	TRAYS /BOX	QUANTITY

THIS DRAWING IS A CONTROLLED DOCUMENT.		DWN			
DIMENSIONS: MM		CHK			
TOLERANCES UNLESS OTHERWISE SPECIFIED:		APVD		NAME	
0 PLC ± -		PRODUCT SPEC		MODULAR JACK, RJ45, 8P8C, SIDE ENTRY, RIGHT ANGLE, WITH PANEL GROUND, LOW PROFILE	
1 PLC ± -		APPLICATION SPEC		SIZE CAGE CODE DRAWING NO RESTRICTED TO	
2 PLC ± -		WEIGHT		A3 00779 C=1734264	
3 PLC ± -		CUSTOMER DRAWING		SCALE SHEET 2 OF 2 REV A2	
4 PLC ± -					
ANGLES ± -					
FINISH					

单击下面可查看定价，库存，交付和生命周期等信息

[>>TE Connectivity\(泰科\)](#)