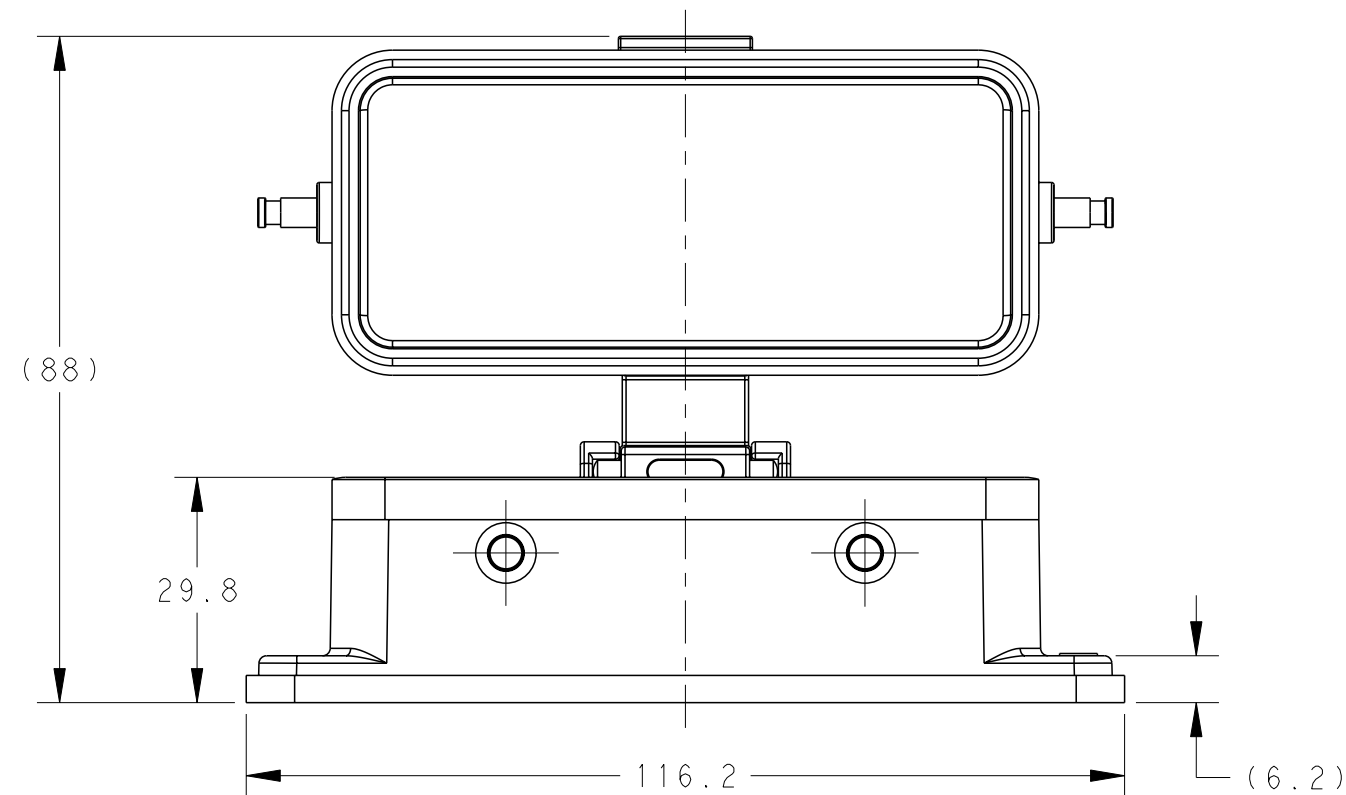
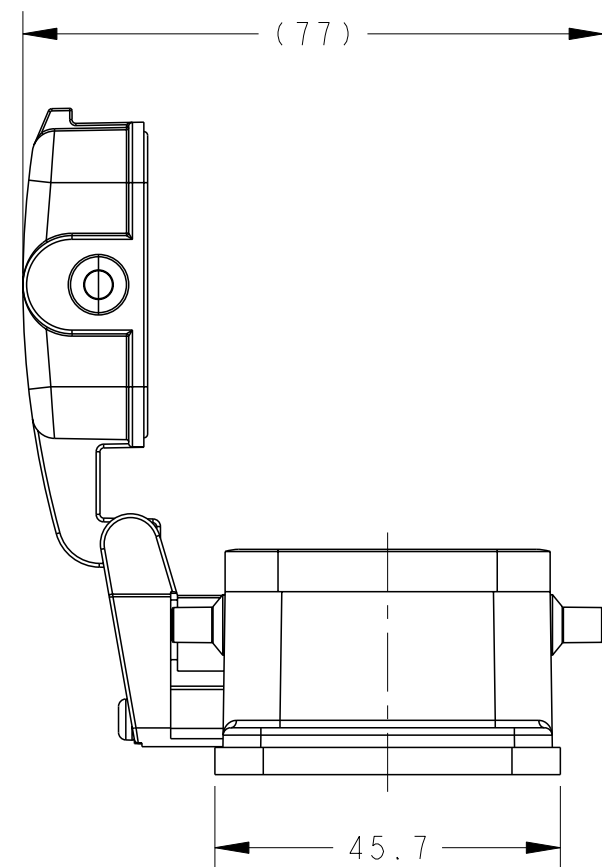


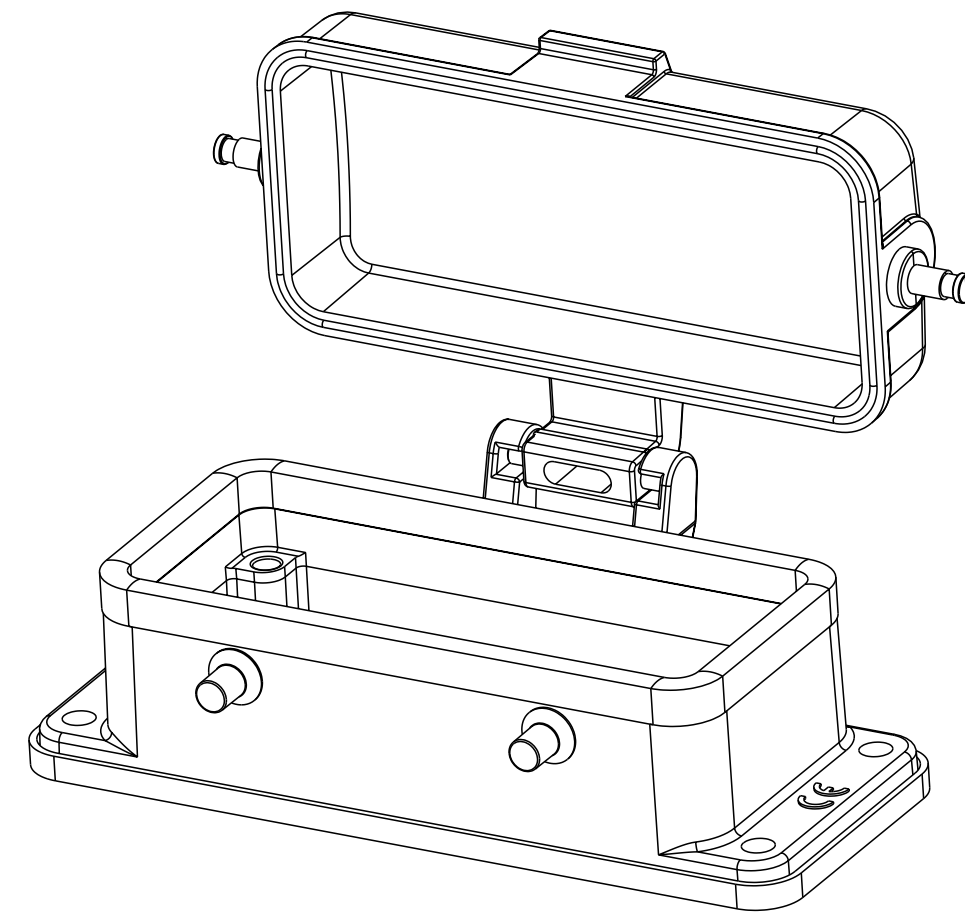
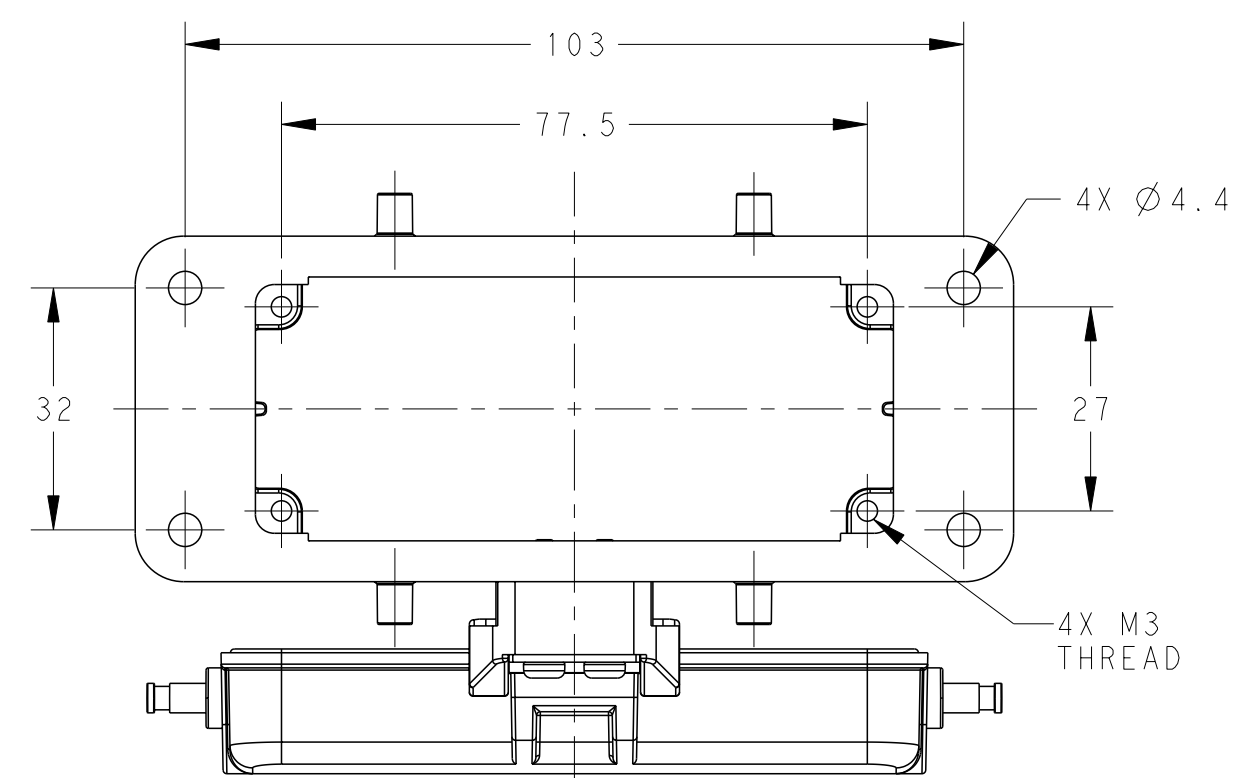
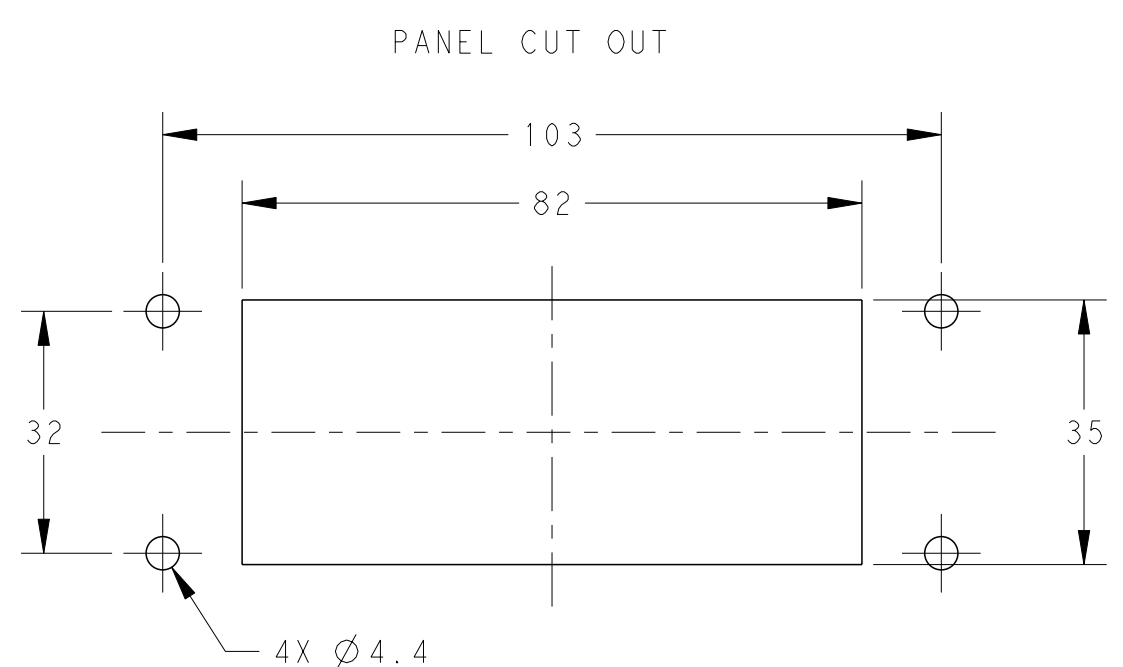
THIS DRAWING IS UNPUBLISHED. RELEASED FOR PUBLICATION 20
 © COPYRIGHT 20 BY - ALL RIGHTS RESERVED.

REVISIONS					
P	LTR	DESCRIPTION	DATE	DWN	APVD
A		INITIAL	18JUN2015	DW	CW
B		ECR-20-008190	07SEP2020	WQR	CW



NOTES:
 1. TECHNICAL CHARACTERISTICS:
 HOUSING MATERIAL: DIE CAST ALUMINIUM ALLOY
 SURFACE: POWDER COATED, GREY
 DEGREE OF PROTECTION: IP65 (MATED)

注释:
 1. 技术参数:
 下壳材料: 铝合金
 表面处理: 粉末涂层, 灰色
 防护等级: IP65(配合)



T1433160000-000	H16B-ADM-BO	RED
T1430161000-000	H16B-ADM-BO	GREY
PART NUMBER	DESCRIPTION	COLOR

THIS DRAWING IS A CONTROLLED DOCUMENT.

DWN	05JUN2015	David Wang
CHK	05JUN2015	Chris Wang
APVD	05JUN2015	Xiang Xu
PRODUCT SPEC		
108-137013		
APPLICATION SPEC		
114-137013		
WEIGHT		
-		
Customer Drawing		

STE TE Connectivity

NAME: H16B-ADM-BO

SIZE	CAGE CODE	DRAWING NO	RESTRICTED TO
A200779	C	T143X16X000000	-
SCALE	1:1	SHEET	1 OF 1
REV	B		

Printed on 13 Apr 2021 13:31 (China Standard Time) from IE343646

单击下面可查看定价，库存，交付和生命周期等信息

[>>TE Connectivity\(泰科\)](#)