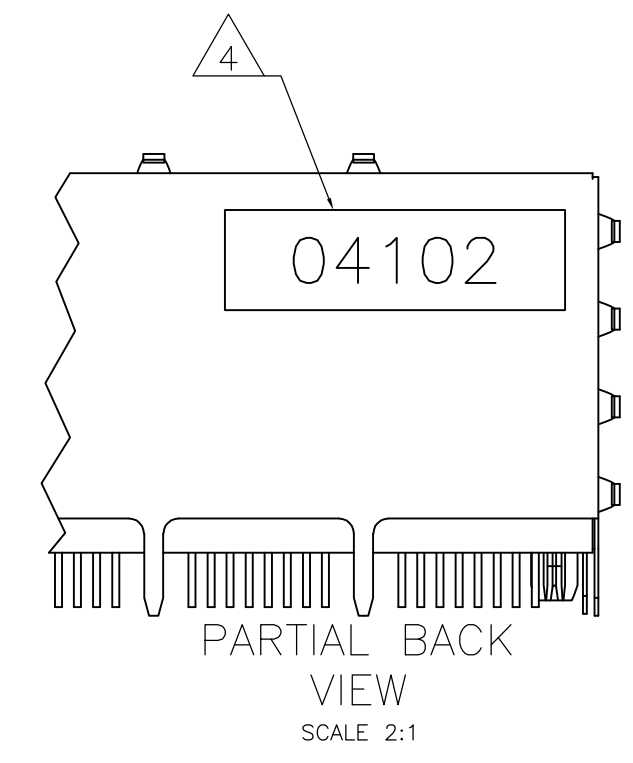
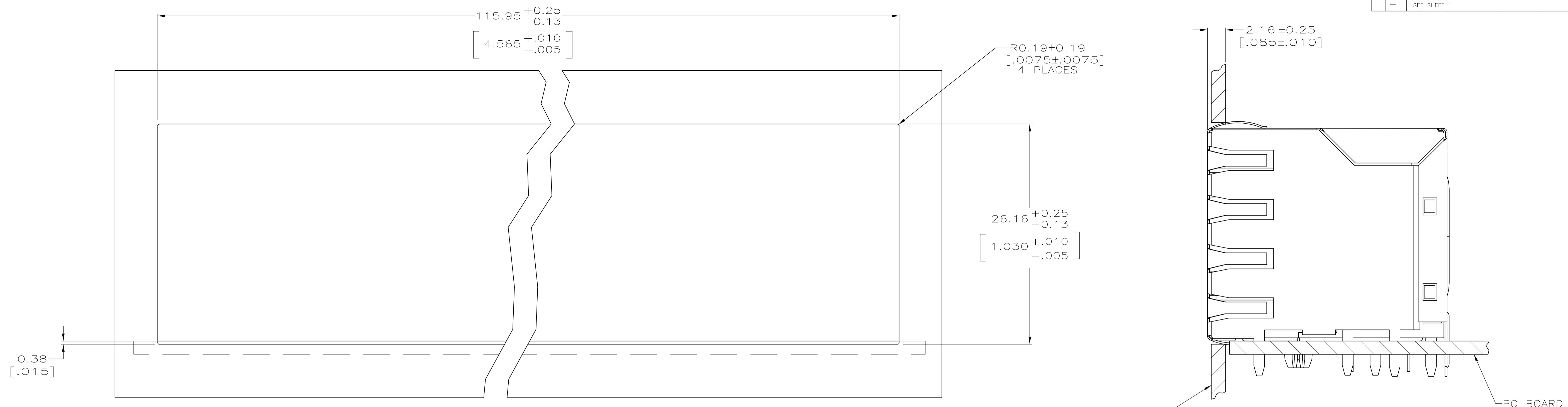


- MATERIAL: HOUSING - PCT POLYESTER, BLACK, UL 94V-0. OVERMOLDED TERMINAL ARRAY - HIGH TEMPERATURE NYLON, COLOR: NATURAL. TERMINALS - 0.33[.013] THICK PHOS BRONZE PLATED WITH 1.27um[.000050] MIN THICK HARD GOLD IN LOCALIZED AREA AND 3.81um[.000150] MIN THICK MATTE TIN IN SOLDER AREA OVER 1.27um[.000050] MIN THICK NICKEL UNDERPLATE. SHIELD - 0.196[.0077] THICK COPPER ALLOY PLATED WITH SATIN NICKEL 1.27um[.000050] MIN THICK OVERALL AND 2.03um[.000080] MIN THICK HOT TIN DIP ON PCB GROUND TABS.
- JACK CAVITY CONFORMS TO FCC RULES AND REGULATIONS, PART 68 SUBPART F.
- USE 3.25mm OR #30 DRILL BIT WHEN PRODUCING THESE PCB HOLES.
- DATE CODE LOCATED ON REAR OF PART APPROXIMATELY AS SHOWN: FIRST 2 DIGITS ARE LAST 2 DIGITS OF YEAR, SECOND 2 DIGITS ARE MANUFACTURING WORK WEEK, LAST DIGIT IS DAY OF WEEK WITH SUNDAY = 1.
- PARTS PACKAGED IN SEALED BAGS WITH DESICCANT
- PARTS SUITABLE FOR LEAD FREE REFLOW PROCESSING TO 260° C
- THE PART NUMBER HAS NOT COMPLETED VALIDATION TESTING, THE STATUS IS PRELIMINARY.

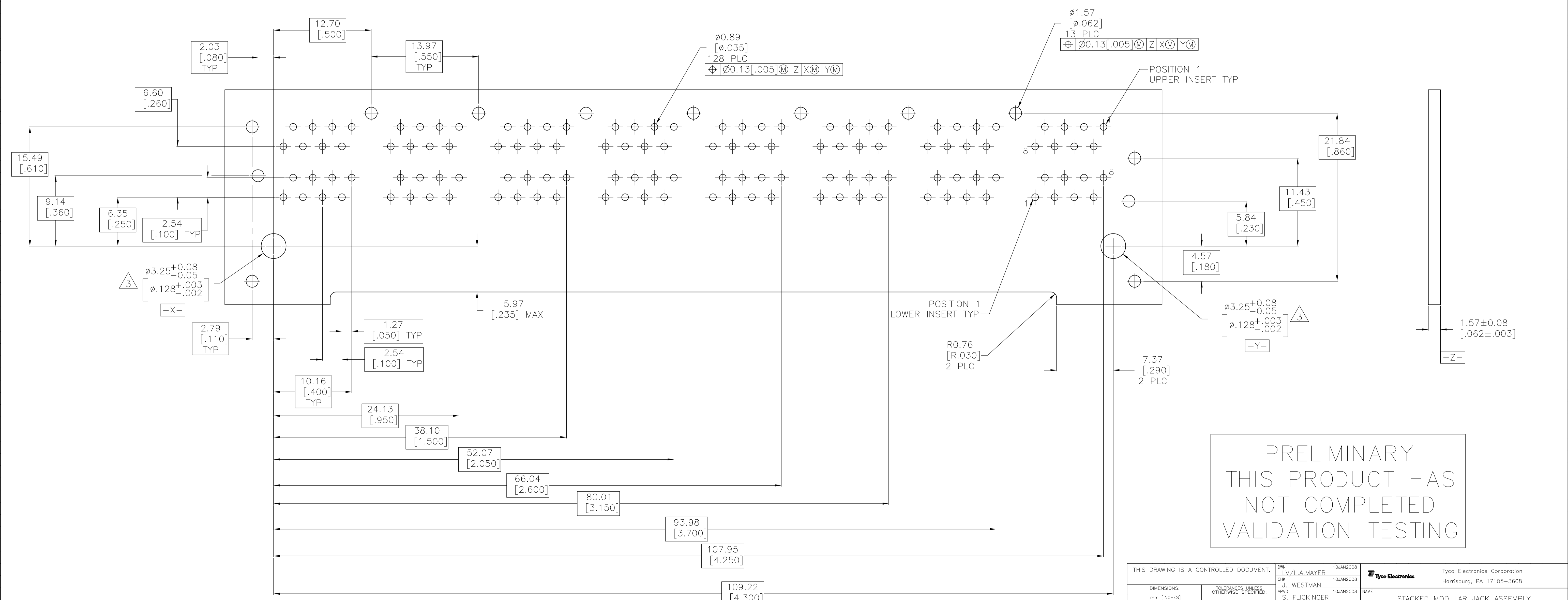


2007372-1
 PART NUMBER

THIS DRAWING IS A CONTROLLED DOCUMENT.		OWN: L.V./L.A.MAYER 10JAN2008	Tyco Electronics Corporation Harrisburg, PA 17105-3608
DIMENSIONS: mm [INCHES]		CHK: J. WESTMAN 10JAN2008	
TOLERANCES UNLESS OTHERWISE SPECIFIED:		APVD: S. FLICKINGER 10JAN2008	NAME: STACKED MODULAR JACK ASSEMBLY
0 PLC ± -		PRODUCT SPEC: 108-1163-2	2x8 PORT, 8 POSITION, SHIELDED, WAVE PANEL GROUND, CATEGORY 5
1 PLC ± -		APPLICATION SPEC: 114-2048	SIZE: A1
2 PLC ± 0.25[.01]		FINISH: SEE NOTE 1	SCALE: 4:1
3 PLC ± 0.13[.005]		WEIGHT: -	SHEET: 1 OF 2
4 PLC ± -		CUSTOMER DRAWING	REV: A1
ANGLES: SEE NOTE 1		DRAWING NO: 00779 ©=2007372	



RECOMMENDED PANEL CUTOUT DIMENSIONS



PC BOARD LAYOUT
(VIEWED FROM COMPONENT SIDE)

THIS DRAWING IS A CONTROLLED DOCUMENT.		DIN	LV/LAMAYER	10JAN2008	Tyco Electronics Corporation Harrisburg, PA 17105-3608
DIMENSIONS: mm [INCHES]		CHK	J. WESTMAN	10JAN2008	
TOLERANCES UNLESS OTHERWISE SPECIFIED:		APVD	S. FLICKINGER	10JAN2008	NAME STACKED MODULAR JACK ASSEMBLY 2x8 PORT, 8 POSITION, SHIELDED, WAVE PANEL GROUND, CATEGORY 5
0 PLC ± -		PRODUCT SPEC	108-1163-2		
1 PLC ± ±		APPLICATION SPEC	114-2048		
2 PLC ± ±		SIZE	A1	00779	RESTRICTED TO
3 PLC ± ±		WEIGHT	2007372		
4 PLC ± ±		CUSTOMER DRAWING	SCALE 4:1 SHEET 2 OF 2 REV A1		

单击下面可查看定价，库存，交付和生命周期等信息

[>>TE Connectivity\(泰科\)](#)