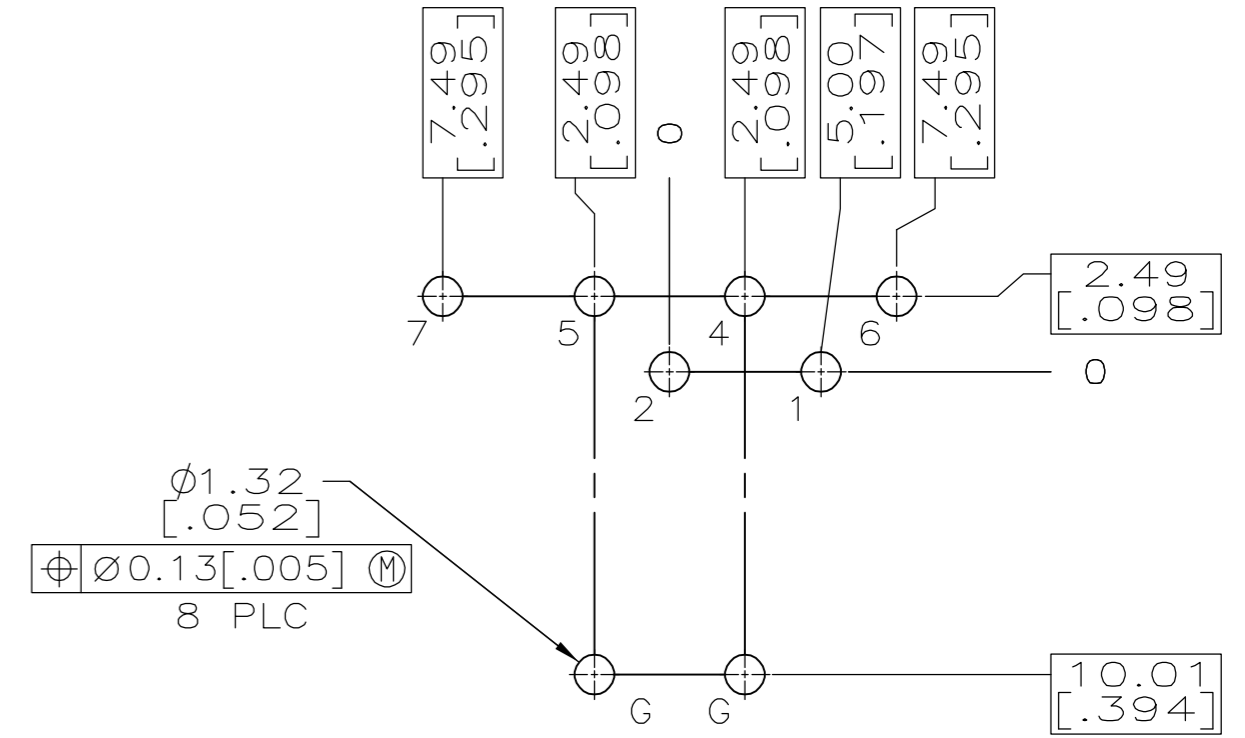
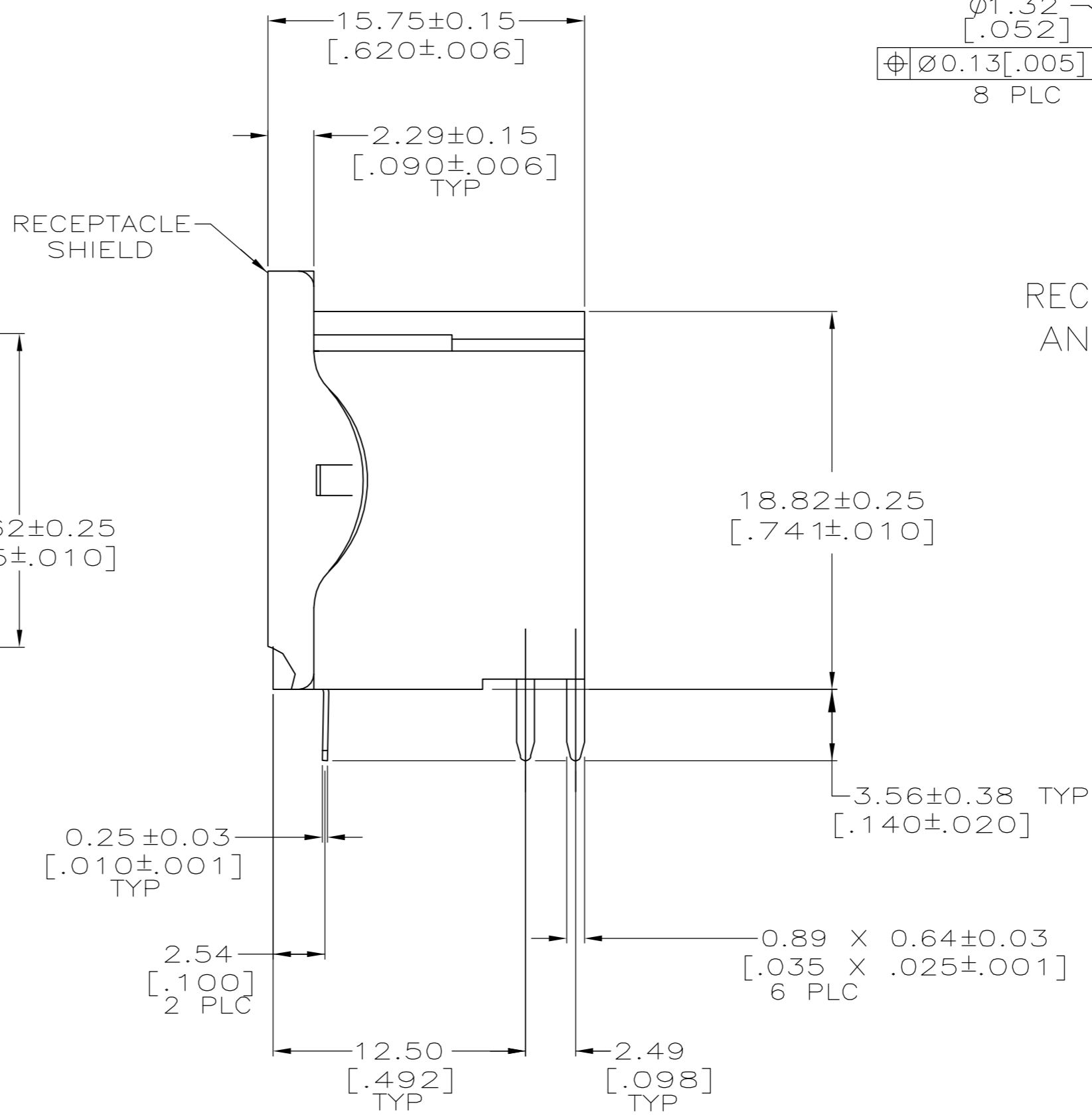
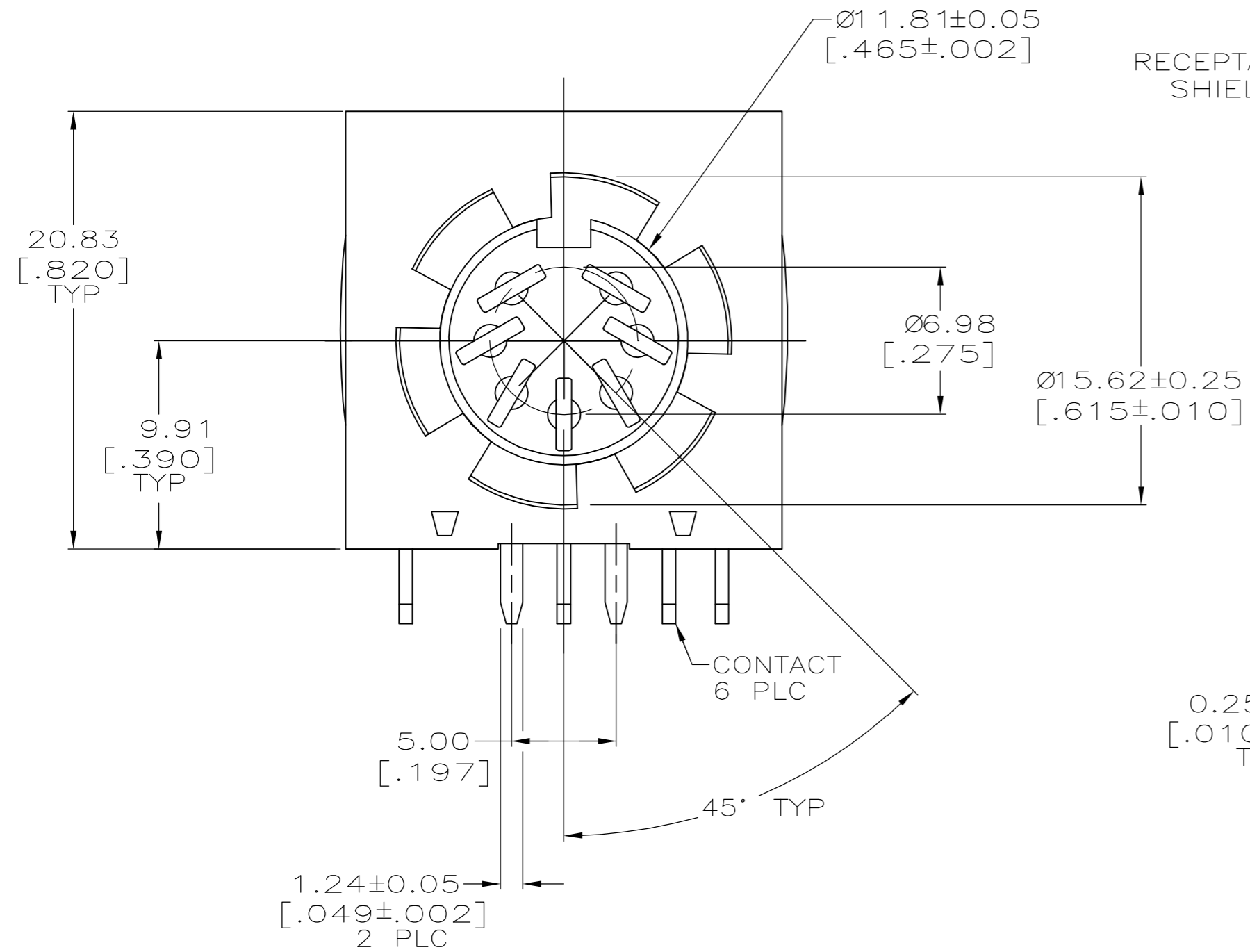
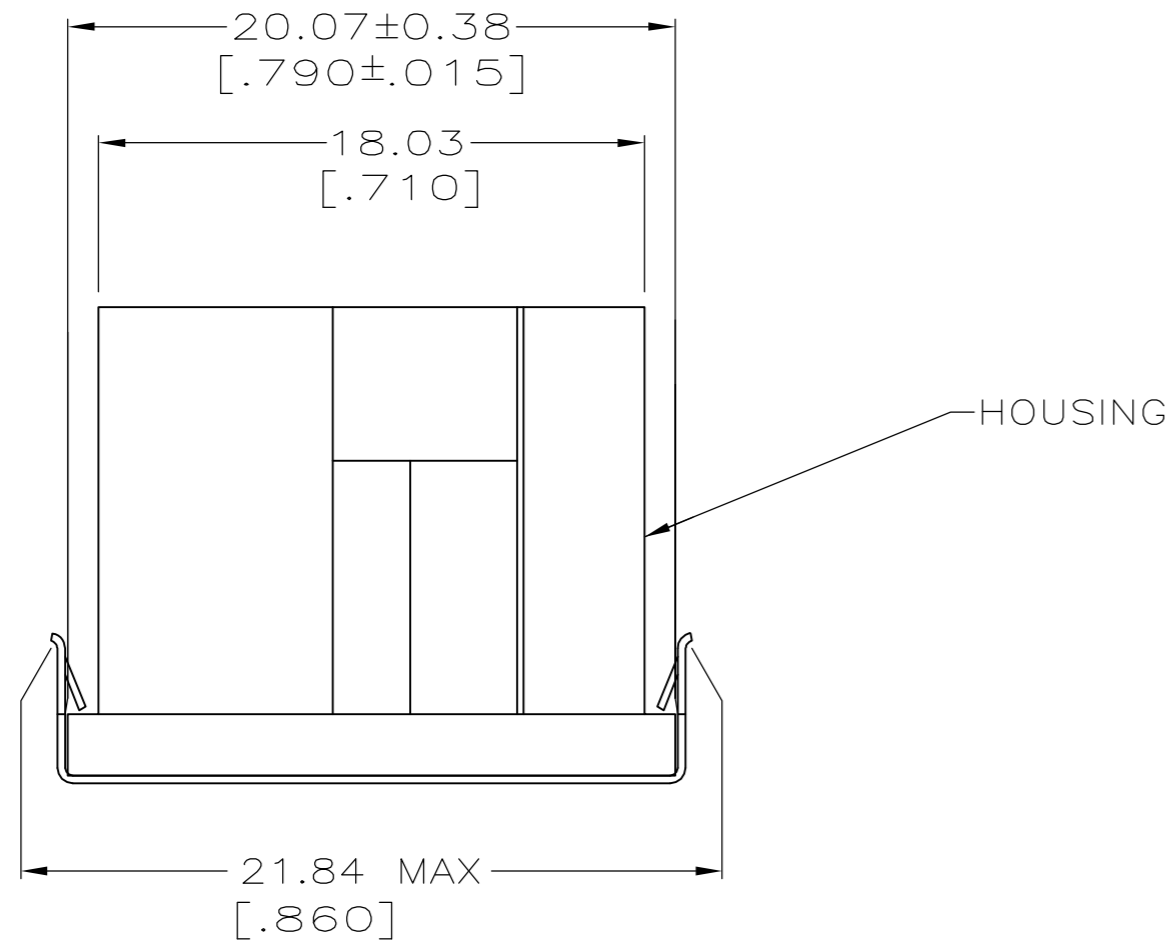


THIS DRAWING IS UNPUBLISHED. RELEASED FOR PUBLICATION
 © COPYRIGHT BY TYCO ELECTRONICS CORPORATION. ALL RIGHTS RESERVED.

LOC	DIST	REVISIONS					
GP	00	P	LTR	DESCRIPTION	DATE	DWN	APVD
		01		REVISED PER ECO-07-008008	10APR07	JDP	CWR



RECOMMENDED PC BOARD LAYOUT AND CIRCUIT IDENTIFICATION

- 1 HOUSING: NYLON, UL 94V-0 RATED, BLACK.
- 2 CONTACT AND RCPT SHIELD: 2.54µm [.000100] MIN TIN OVER 1.27µm [.000050] MIN NICKEL.
- 3. CIRCUIT 3 IS WITHOUT CONTACT.
- 4 CONTACT AND RECEPTACLE SHIELD: BRASS.

THIS DRAWING IS A CONTROLLED DOCUMENT.		DWN L. VARELA - DOCK5 11-12-04	Tyco Electronics Corporation Harrisburg, PA 17105-3608	
DIMENSIONS: mm [INCHES]		CHK C. ROHDE 11-12-04		
TOLERANCES UNLESS OTHERWISE SPECIFIED:		APVD M. WALMSLEY 11-12-04	NAME	
0 PLC ± -		PRODUCT SPEC	RECEPTACLE ASSEMBLY, RIGHT ANGLE, 7 POSITION, SHIELDED, CIRCULAR DIN	
1 PLC ± -		APPLICATION SPEC	SIZE A2 CAGE CODE 00779 C=5788133	
2 PLC ± 0.13 [.005]		114-40025	DRAWING NO	
3 PLC ± -		WEIGHT -	RESTRICTED TO -	
4 PLC ± -		CUSTOMER DRAWING	SCALE 4:1 SHEET 1 of 1 REV 01	
ANGLES ± 2°				
FINISH				

单击下面可查看定价，库存，交付和生命周期等信息

[>>TE Connectivity\(泰科\)](#)