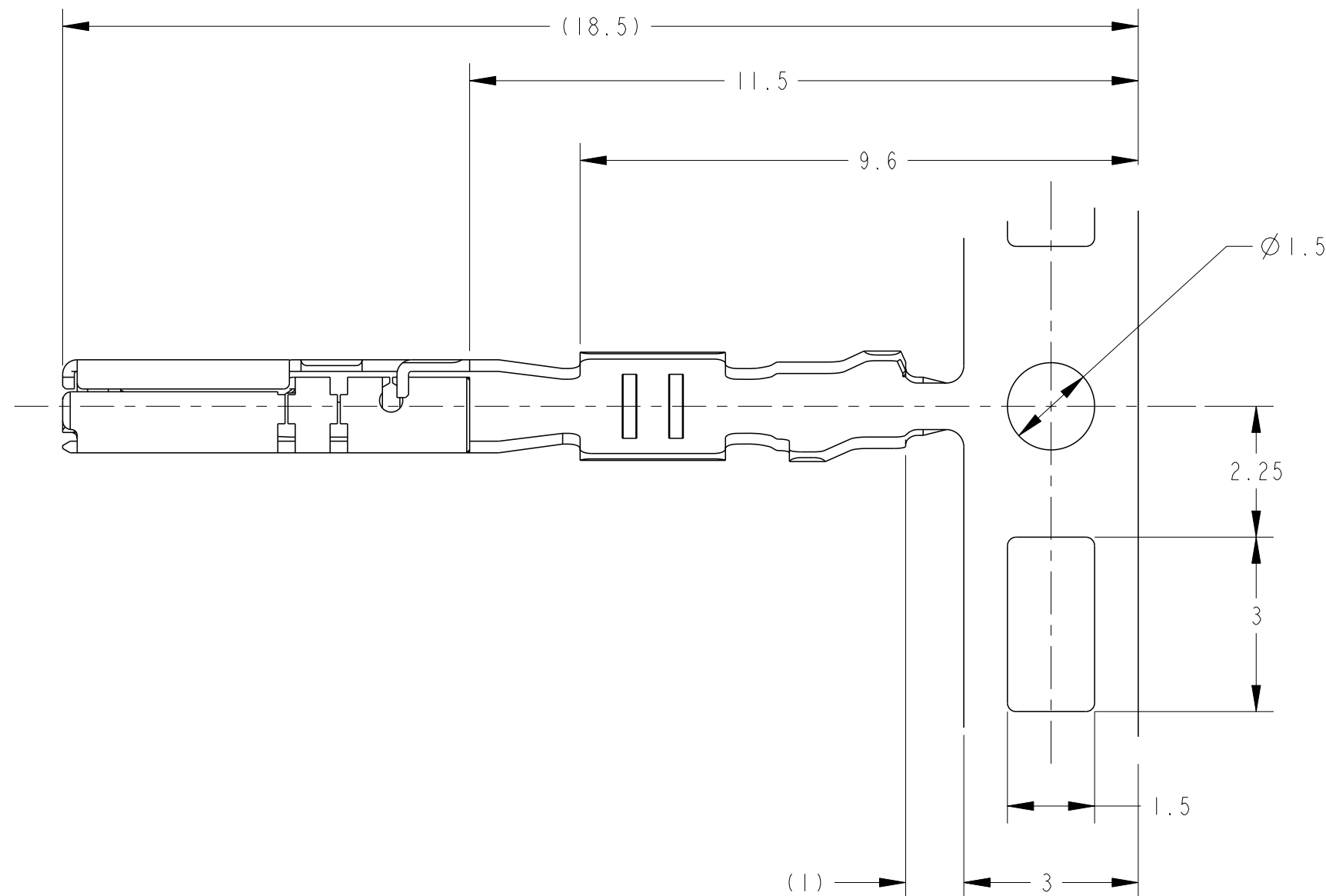
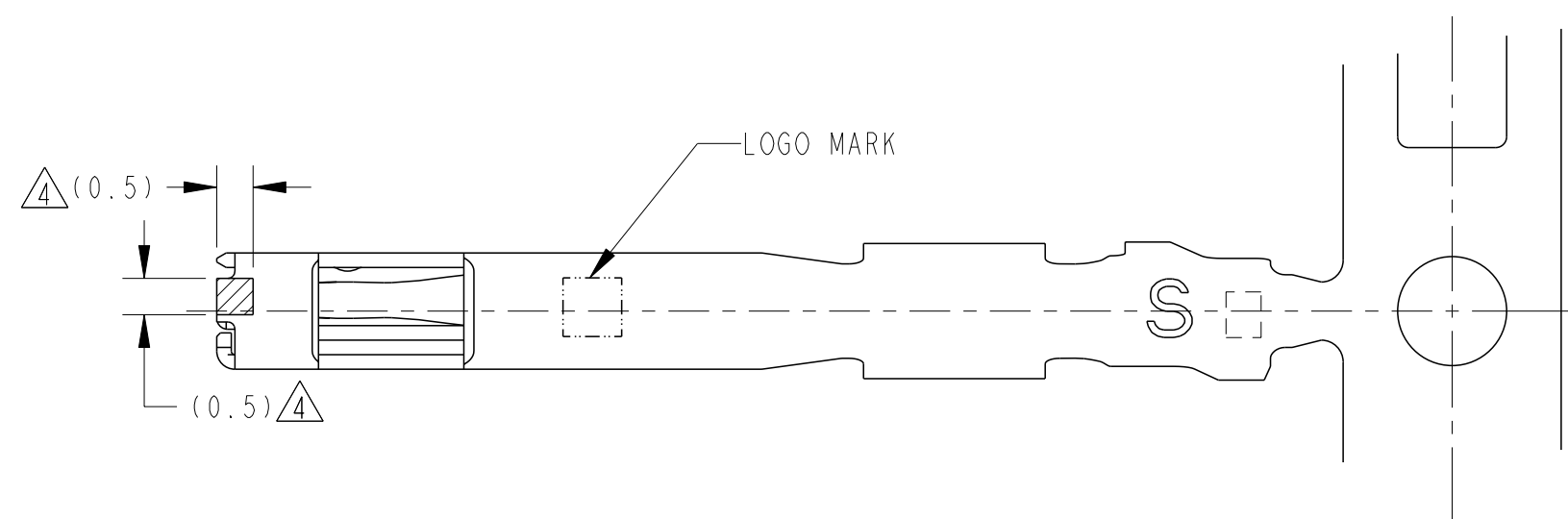
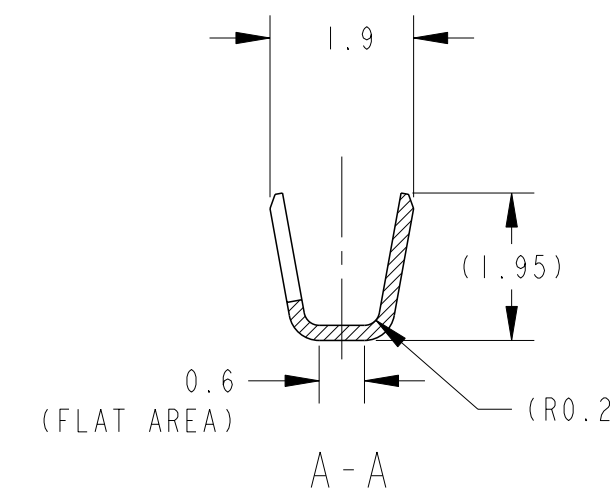
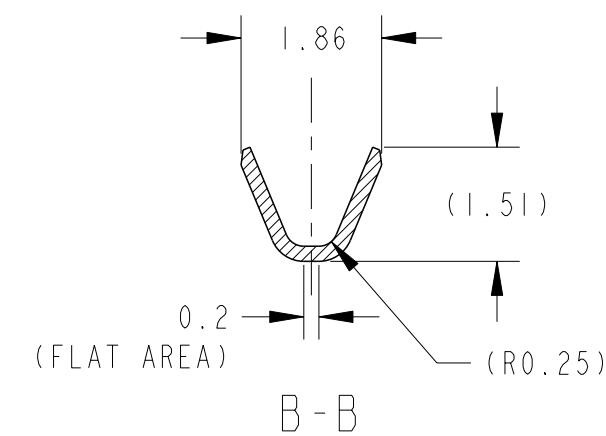
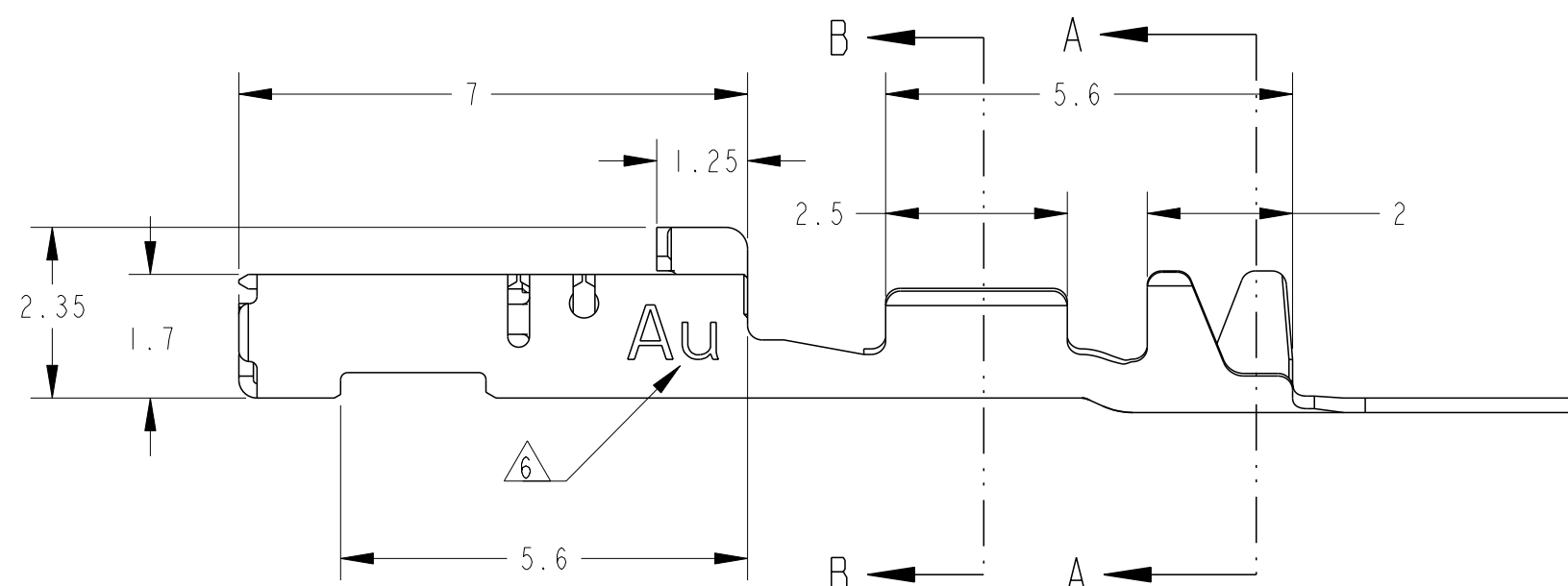
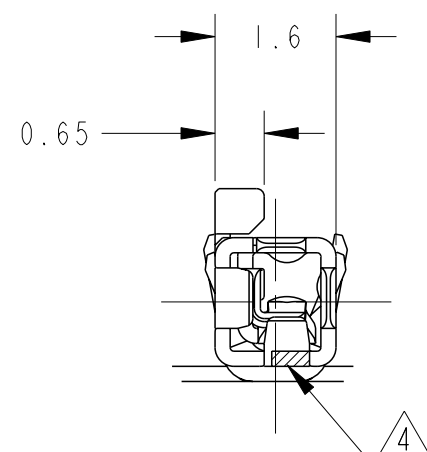


THIS DRAWING IS UNPUBLISHED. RELEASED FOR PUBLICATION 2015  
 © COPYRIGHT 2015 ALL RIGHTS RESERVED.

| LOC | DIST | REVISIONS |     |             |               |         |       |
|-----|------|-----------|-----|-------------|---------------|---------|-------|
| J   |      | P         | LTR | DESCRIPTION | DATE          | DWN     | APVD  |
|     |      | O         |     | RELEASED    | FJA0-0576-04  | 24AUG04 | YM HY |
|     |      | A         |     | REIVSED     | ECR-10-005857 | 26APR10 | SF KB |
|     |      | B         |     | REIVSED     | ECR-15-013494 | 18SEP15 | KK RK |



- 1. 適用電線:  
CAVS/CAVUS/CHFUS 0.22mm<sup>2</sup>
  - 2. 圧着作業については、以下の規格を参照すること  
取付適用規格; 114-5329
  - 3. アプリケータ送りピッチ; 8mm
  - △ 寸法は識別用金めっき範囲を表す
  - △ 接触部: 金めっき、バレル部: すずめっき
  - △ 識別用刻印
- 1. APPLICABLE WIRE RANGE ;  
CAVS/CAVUS/CHFUS 0.22mm<sup>2</sup>
  - 2. MUST BE REFERRED TO THE FOLLOWING DOCUMENTS FOR CRIMPING OPERATION  
APPLICATION SPEC ; 114-5329
  - 3. APPLICATOR FEED; 8mm
  - △. GOLD PLATED AREA FOR DISCRIMINATION
  - △. CONTACT POINT; GOLD PLATING BARREL; TIN PLATING
  - △. MARKING FOR IDENTIFICATION.



|  |                    |                         |  |
|--|--------------------|-------------------------|--|
| THIS DRAWING IS A CONTROLLED DOCUMENT.   |                    | DWN<br>Y. MITO          | 24AUG04                                |
| DIMENSIONS:<br>単位: 桁<br>mm   |                    | CHK<br>H. YAMAGAMI      | 24AUG04                                |
| TOLERANCES UNLESS<br>OTHERWISE SPECIFIED:<br>一般公差 ±0.3<br>1-PLC ±0.5<br>2-PLC ±0.13<br>3-PLC ±0.013<br>4-PLC ±0.001<br>ANGLES ±3°00' |                    | APVD<br>S. ISOHATA      | 24AUG04                                |
| MATERIAL<br>材料<br>Cu Alloy   |                    | PRODUCT SPEC<br>製造規格    | APPLICATION SPEC<br>取付適用規格<br>114-5329 |
| FINISH<br>仕上<br>SEE TABLE  |                    | WEIGHT<br>0.14 g        | CUSTOMER DRAWING                       |
| △4△5△6 SELECTIVE GOLD, TIN   |                    | 1674936-2               |  |
| PRE-TIN  |                    | 1674936-1               |  |
| FINISH   |                    | PART NO.                |  |
| <b>STE</b> TE Connectivity   |                    |                         |  |
| NAME<br>名称<br>0.64111 SERIES CONNECTOR<br>RECEPTACLE CONTACT (S)   |                    |                         |  |
| SIZE<br>A2   | CAGE CODE<br>00779 | DRAWING NO<br>C-1674936 | RESTRICTED TO                          |
| SCALE<br>10:1  | SHEET<br>1         | OF<br>1                 | REV<br>B                               |

单击下面可查看定价，库存，交付和生命周期等信息

[>>TE Connectivity\(泰科\)](#)