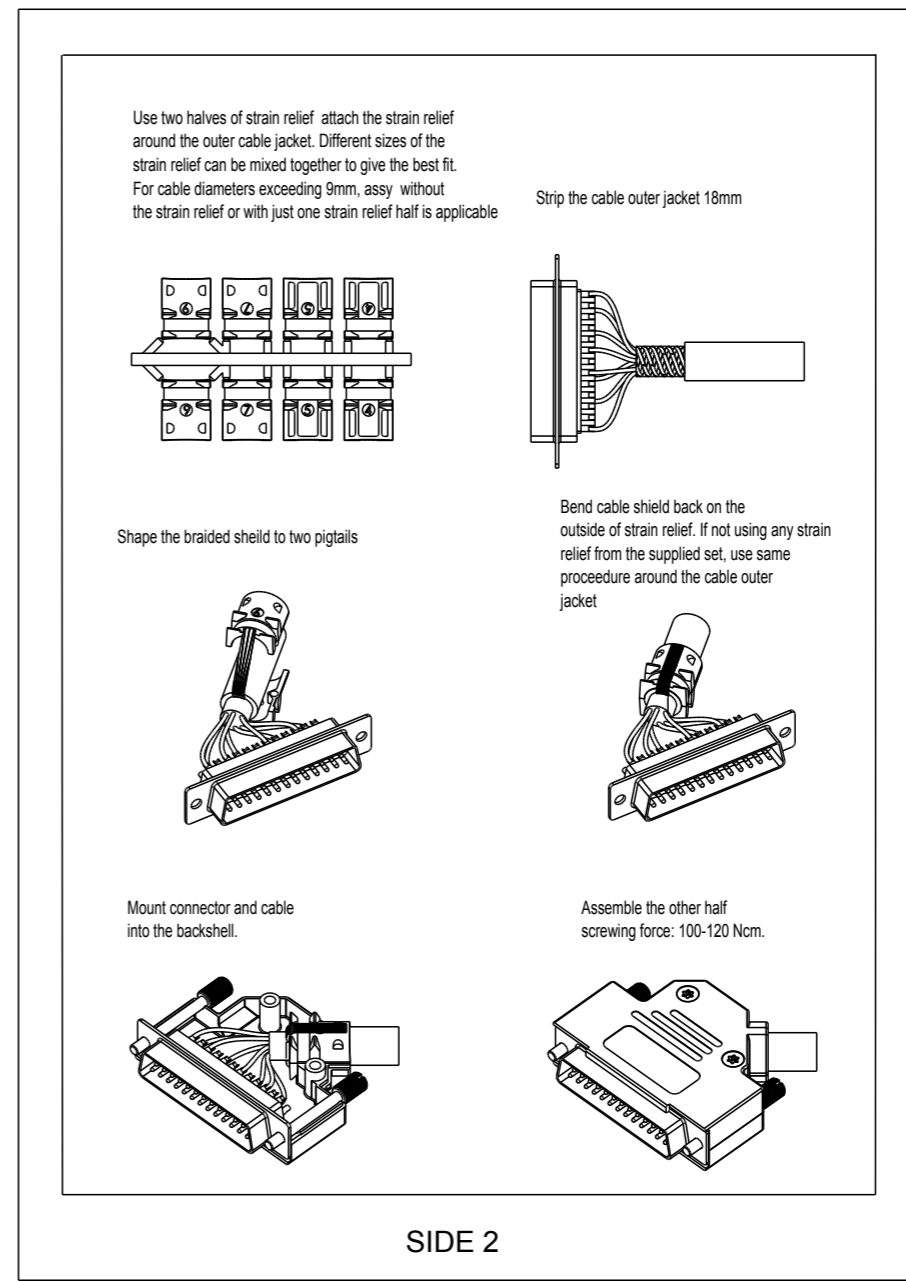
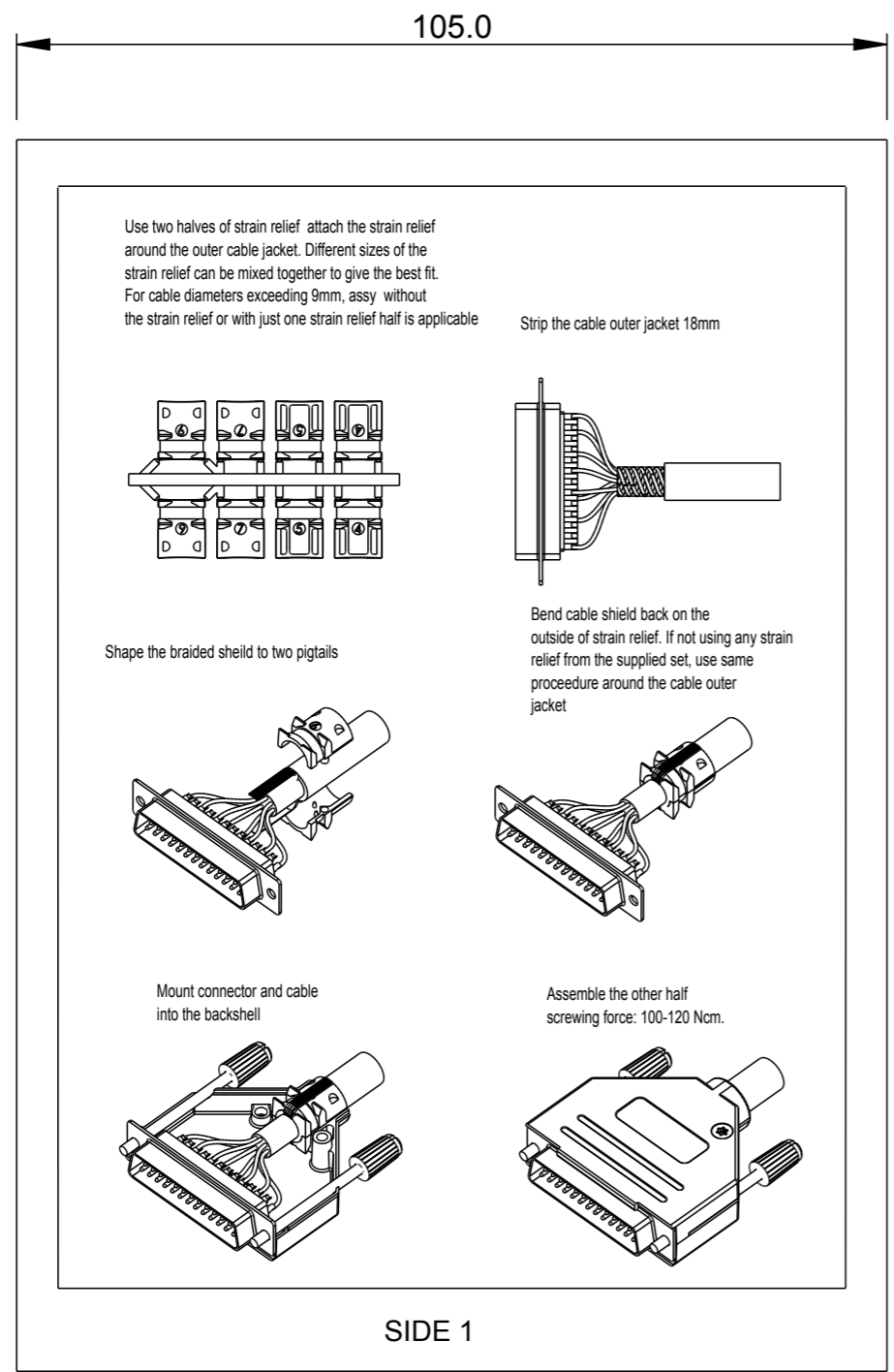


LOC	DIST	REVISIONS			
P	LTR	DESCRIPTION	DATE	DWN	APVD
B	E	B	ECR-11-018638	08/09/11	MJG JA



148.5

THIS DRAWING IS A CONTROLLED DOCUMENT.		DWN AJ BEKEN	07/03/02		TE Connectivity LEAFLET ASSEMBLY INSTRUCTIONS ADK BACKSHELL
DIMENSIONS: mm		CHK C NEALE	07/03/02		
		APVD F W K	07/03/02		
TOLERANCES UNLESS OTHERWISE SPECIFIED:		PRODUCT SPEC		NAME	
0 PLC	±-	-		-	
1 PLC	±-	-		-	
2 PLC	±-	APPLICATION SPEC		-	
3 PLC	±-	-		-	
4 PLC	±-	WEIGHT		-	
ANGLES	±0.5	-		-	
MATERIAL	FINISH	-		-	
-		CUSTOMER DRAWING		SIZE A3	CAGE CODE 00779
-		-		DRAWING NO 1478530	RESTRICTED TO -
-		-		SCALE NTS	SHEET 1 OF 1
-		-		REV B	

单击下面可查看定价，库存，交付和生命周期等信息

[>>TE Connectivity\(泰科\)](#)