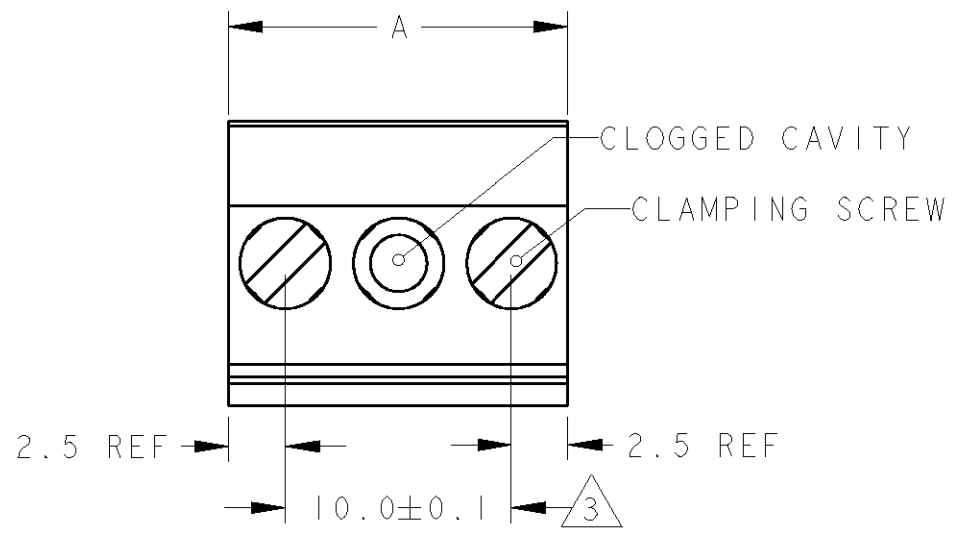
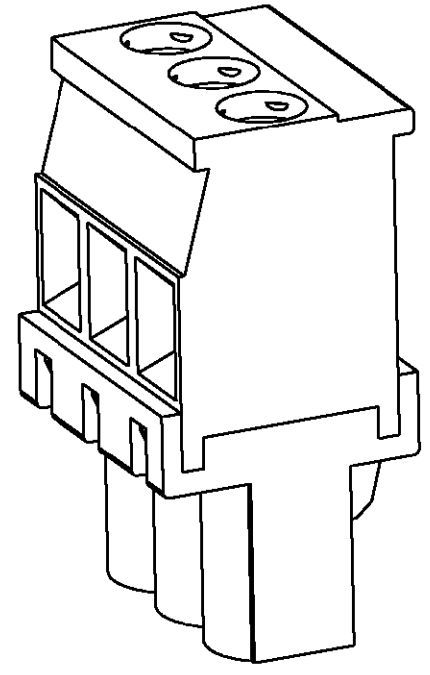


THIS DRAWING IS UNPUBLISHED. RELEASED FOR PUBLICATION 20  
 © COPYRIGHT 20 BY TYCO ELECTRONICS CORPORATION. ALL RIGHTS RESERVED.

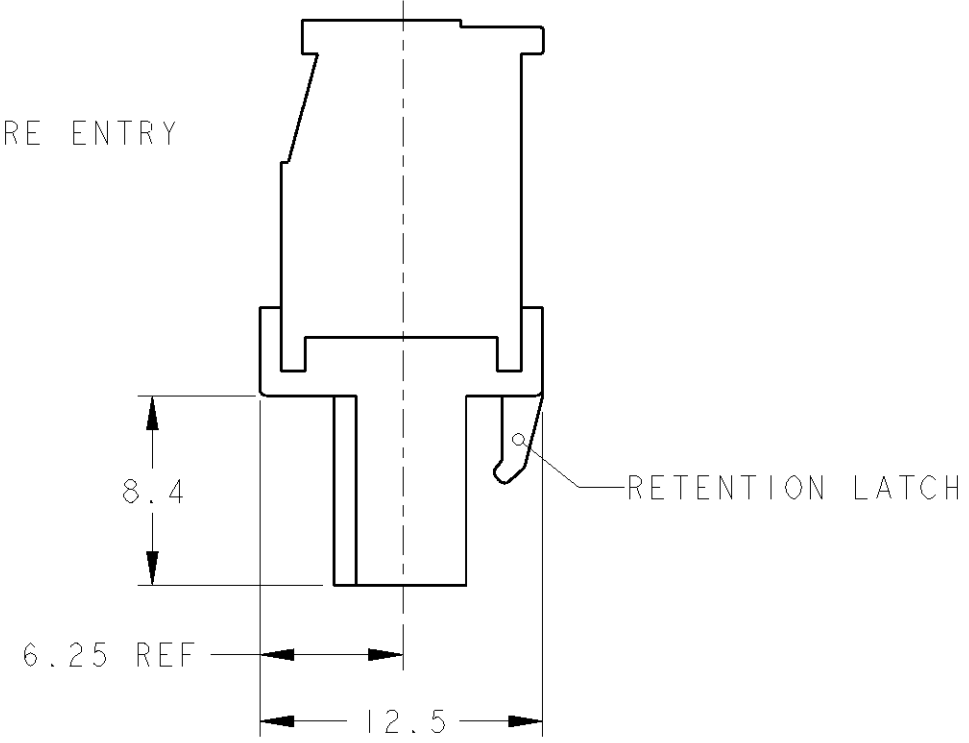
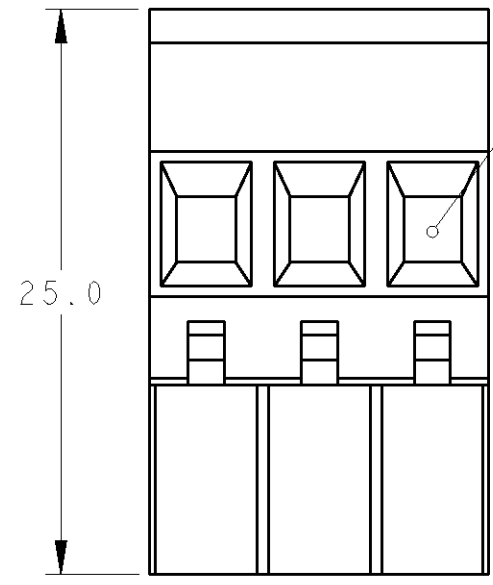
| LOC | DIST | REVISIONS   |                          |           |       |
|-----|------|-------------|--------------------------|-----------|-------|
| P   | LTR  | DESCRIPTION | DATE                     | DWN       | APVD  |
| FT  | 0    | B           | REVISED PER 0G3B-0119-01 | 03JAN2002 | EZ DB |



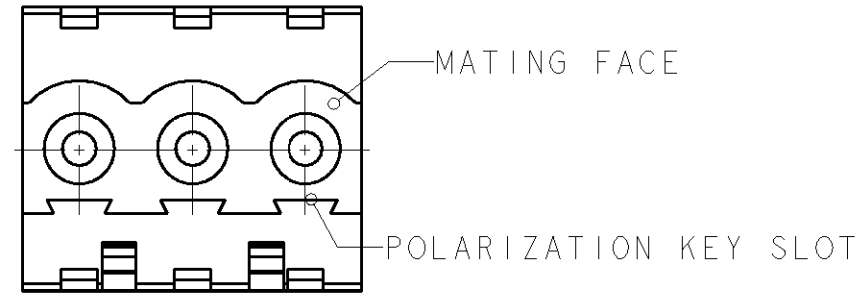
- 1 MATERIALS AND FINISH  
 HOUSING: PA 6-6, UL 94-V0, COLOR GREEN.  
 CLAMP: BRASS, NICKEL PLATED.  
 DOUBLE SIDE CONTACT SPRING : PHOSPHOR BRONZE, TIN PLATED.  
 CLAMPING SCREW: M3, BRASS, NICKEL PLATED.
- 2 WIRE SIZE RANGE:  
 12 - 30 AWG
- 3 NOT CUMULATIVE TOLERANCE.



284044-2 AS SHOWN



| DIM. A | N° OF POS. | PART NUMBER |
|--------|------------|-------------|
| 125    | 13         | 1-284044-3  |
| 115    | 12         | 1-284044-2  |
| 105    | 11         | 1-284044-1  |
| 95     | 10         | 1-284044-0  |
| 85     | 9          | 284044-9    |
| 75     | 8          | 284044-8    |
| 65     | 7          | 284044-7    |
| 55     | 6          | 284044-6    |
| 45     | 5          | 284044-5    |
| 35     | 4          | 284044-4    |
| 25     | 3          | 284044-3    |
| 15     | 2          | 284044-2    |



|   |  |   |  |  |  |
|---|--|---|--|--|--|
| <small>THIS DRAWING IS A CONTROLLED DOCUMENT FOR TYCO ELECTRONICS CORPORATION<br/>         IT IS SUBJECT TO CHANGE AND THE CONTROLLING ENGINEERING ORGANIZATION<br/>         SHOULD BE CONTACTED FOR THE LATEST REVISION.</small> |  | DWN 03JAN2002<br>E. ZANOLINI<br>CHK 03JAN2002<br>E. ZANOLINI<br>APVD 03JAN2002<br>D. BIEVENOUR                      |  | <b>BUCHANAN</b> Tyco Electronics<br>Harrisburg, PA 17105-3608              |  |
| DIMENSIONS:<br>mm   |  | TOLERANCES UNLESS OTHERWISE SPECIFIED:<br>0 PLC ±.3<br>1 PLC ±.3<br>2 PLC ±.25<br>3 PLC ±.<br>4 PLC ±.<br>ANGLES ±2 |  | NAME<br>TERMINAL BLOCK VERTICAL PLUG<br>STACKING LEFT HAND<br>10.0mm PITCH |  |
| MATERIAL - 1  |  | FINISH - 1  |  | PRODUCT SPEC -<br>APPLICATION SPEC -<br>WEIGHT -                           |  |
| CUSTOMER DRAWING  |  |   |  | SIZE A3 CAGE CODE 00779 DRAWING NO C-284044 RESTRICTED TO -                |  |
| SCALE 3:1   |  |   |  | SHEET 1 OF 1 REV B   |  |

单击下面可查看定价，库存，交付和生命周期等信息

[>>TE Connectivity\(泰科\)](#)