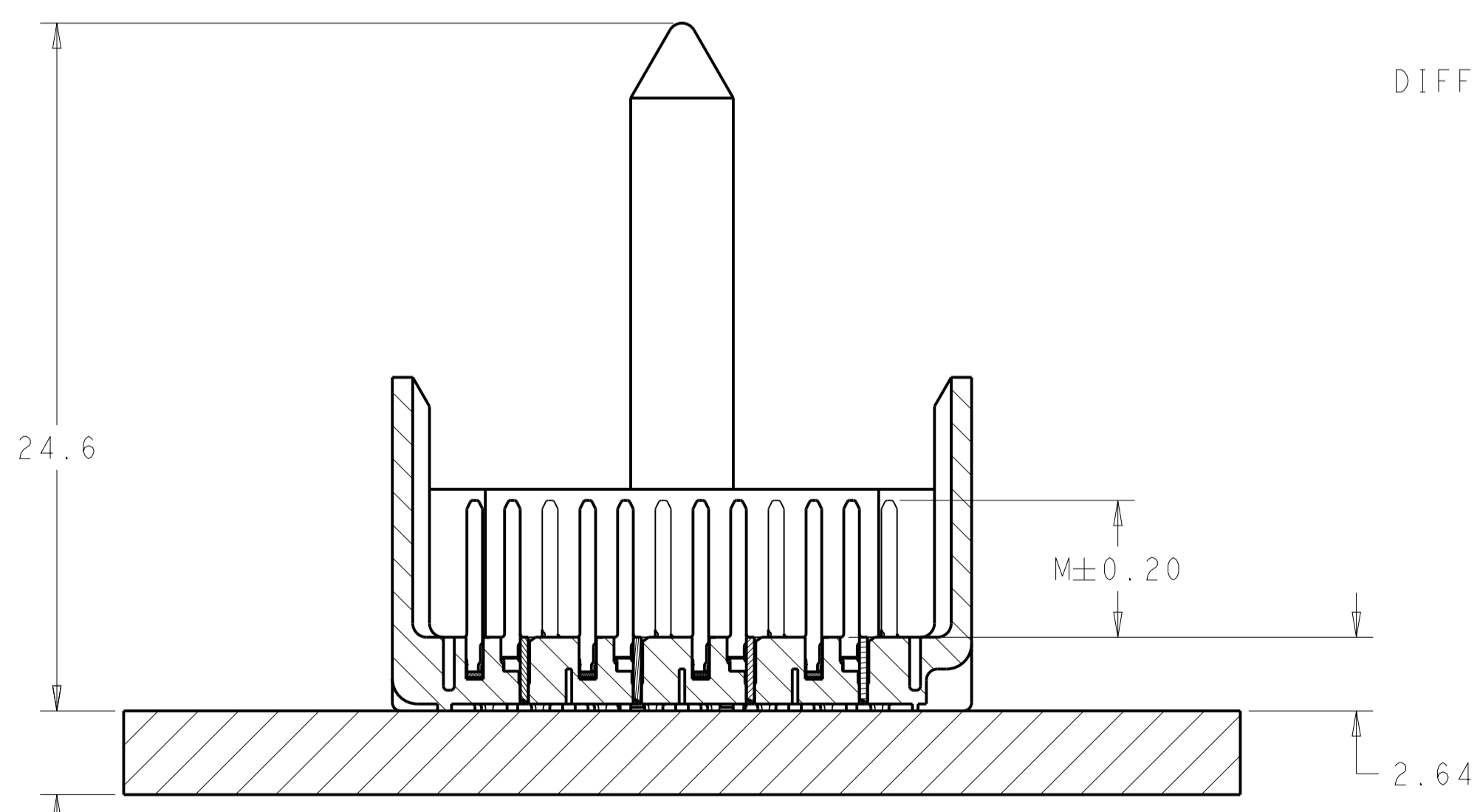
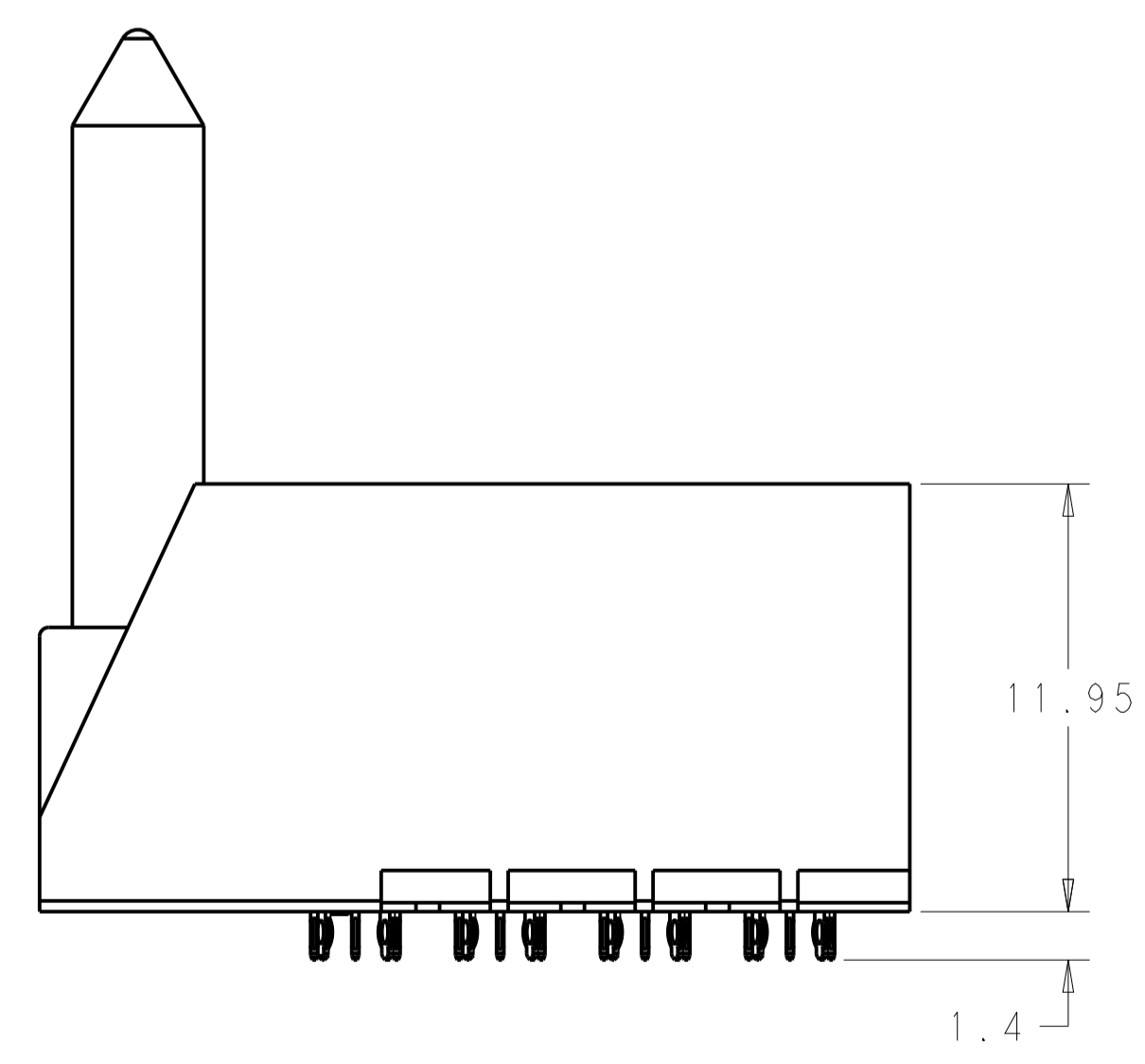
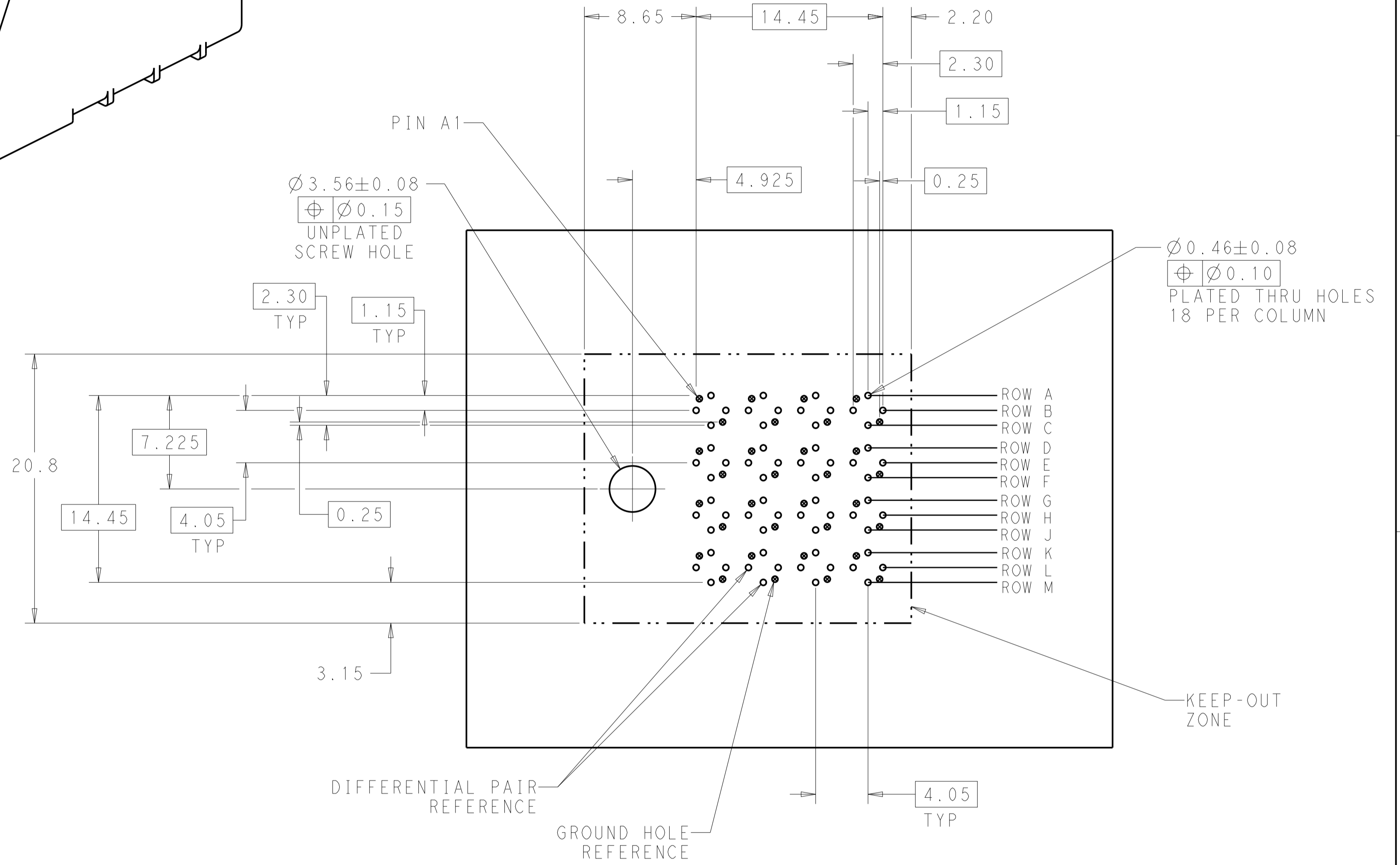
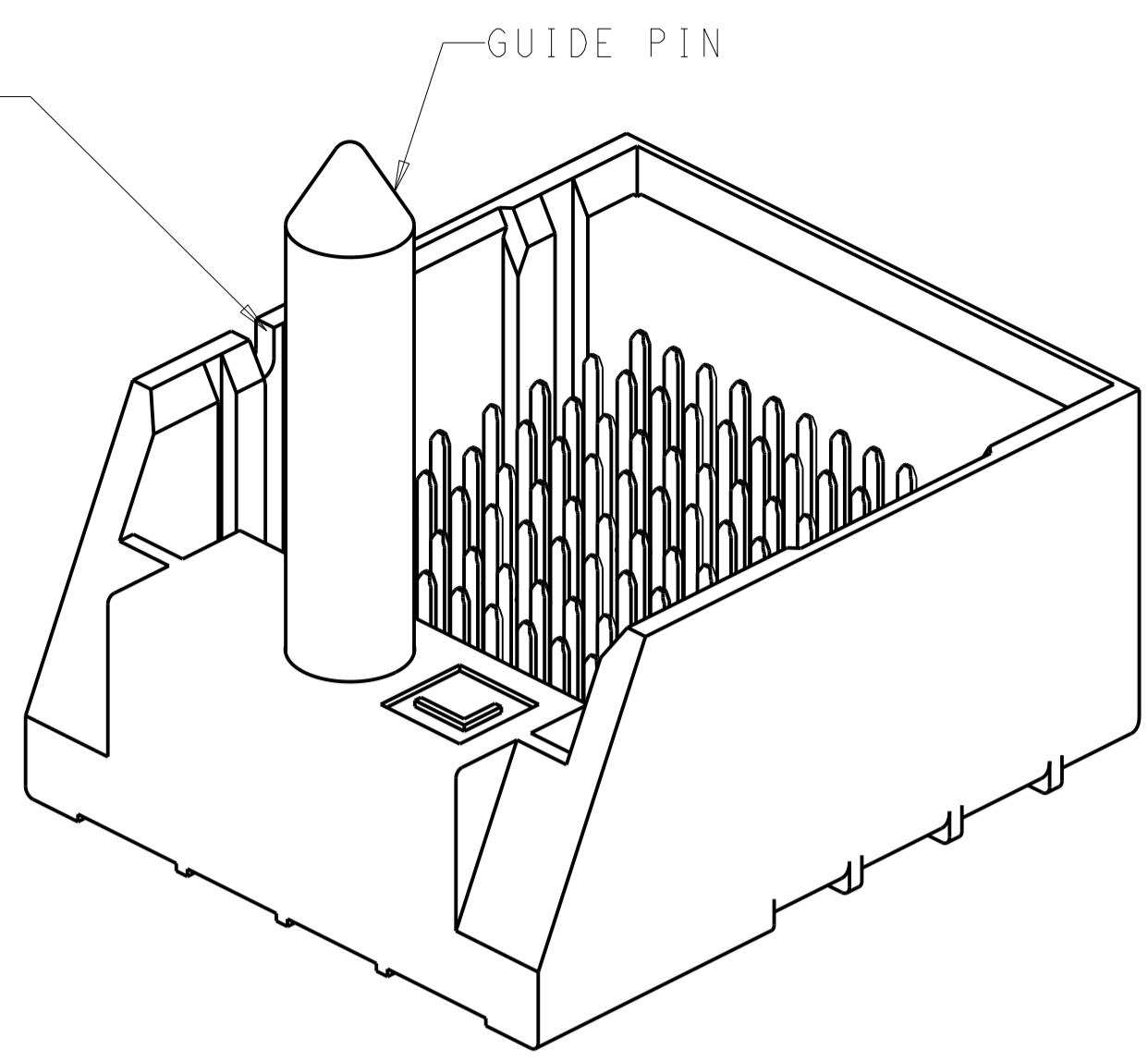
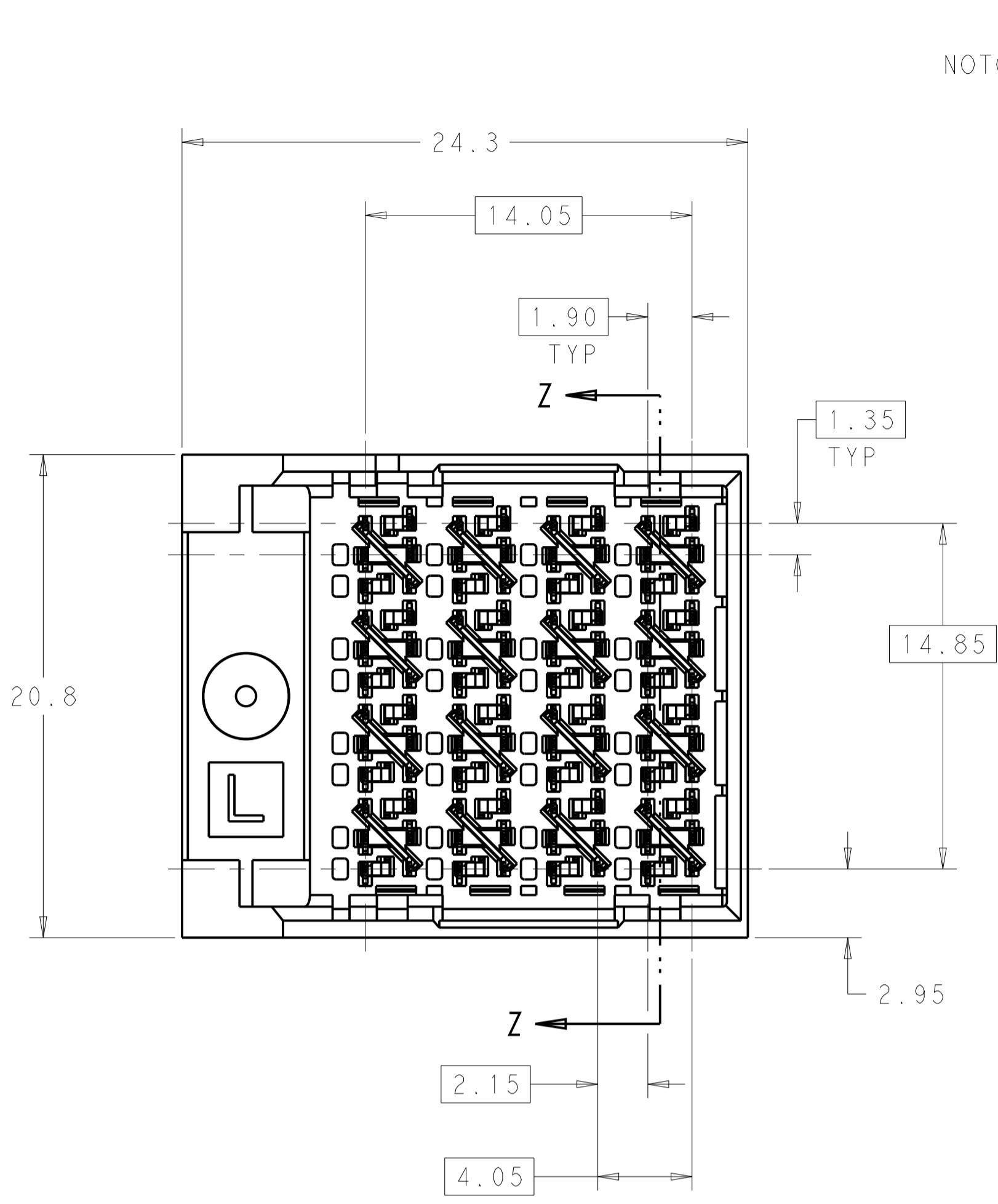


REVISIONS				
P.	LTN.	DESCRIPTION	DATE	APVD.
B		REVISED PER ECO-14-013271	06SEP2014	AP DD

MATERIAL:
 HOUSING: LCP GLASS FILLED UL94V-0
 TERMINALS: HIGH PERFORMANCE COPPER ALLOY

FINISH:
 30µ" MIN GOLD IN CONTACT AREA
 SELECTIVE TIN ON PCB TAILS.
 NICKEL OVERALL.

3. CONNECTOR SUPPLIED WITH MOUNTING SCREW.



3.00 MIN BOARD THICKNESS

SECTION Z-Z

LEFT GUIDED BACKPLANE HOLE PATTERN (CONNECTOR SIDE) SCALE 4:1

FINISH	5.5	2132618-2
DIM M	4.9	2132618-1
PART NUMBER		

THIS DRAWING IS A CONTROLLED DOCUMENT.		DWN: J. K. SHOBER 04JUN2010	NAME: IMPACT, 4 PAIR, 8 COLUMN, LEFT GUIDED RIGHT END WALL ASSEMBLY, ORTHOGONAL, 0.46 PTH
DIMENSIONS: mm		CHK: J. EARY 04JUN2010	PRODUCT SPEC: -
TOLERANCES UNLESS OTHERWISE SPECIFIED:		APVD: J. EARY 04JUN2010	APPLICATION SPEC: -
0 PLC	±		SIZE: -
1 PLC	±0.25		WEIGHT: -
2 PLC	±0.13		SCALE: 5:1
3 PLC	±		SHEET: 1 OF 1
4 PLC	±		REV: B
ANGLES	±0		
MATERIAL: -	SEE TABLE	Customer Drawing	

单击下面可查看定价，库存，交付和生命周期等信息

[>>TE Connectivity\(泰科\)](#)