

4

3

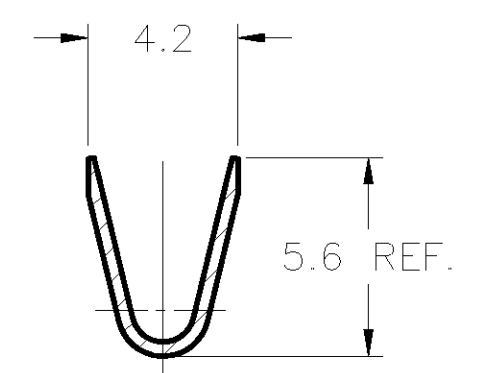
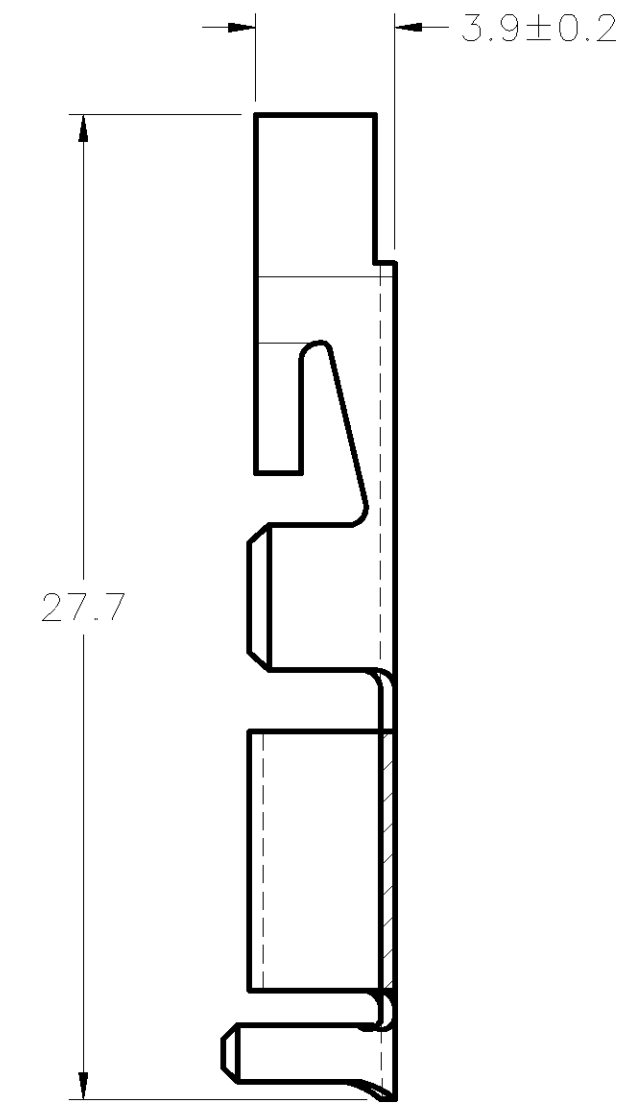
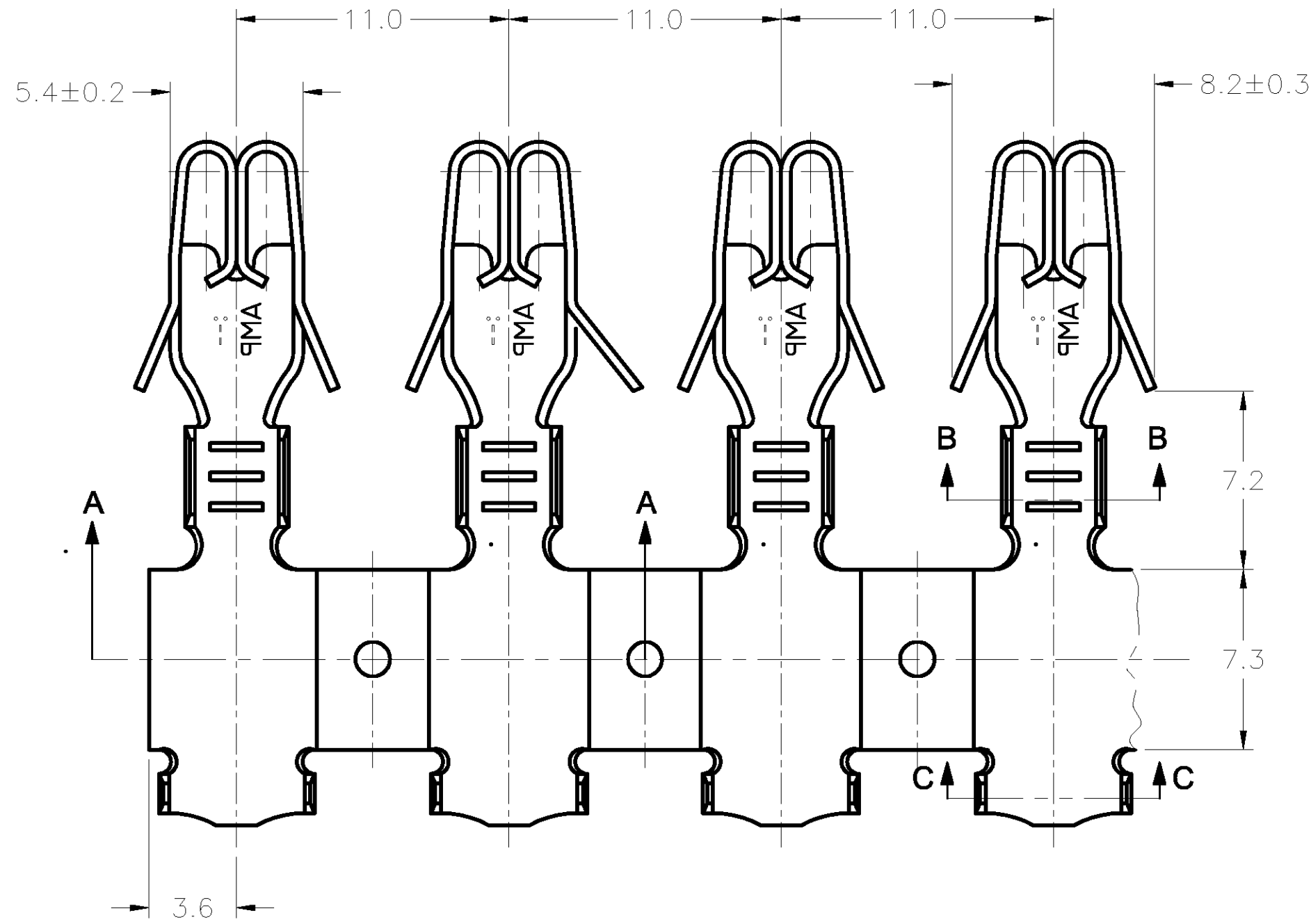
2

1

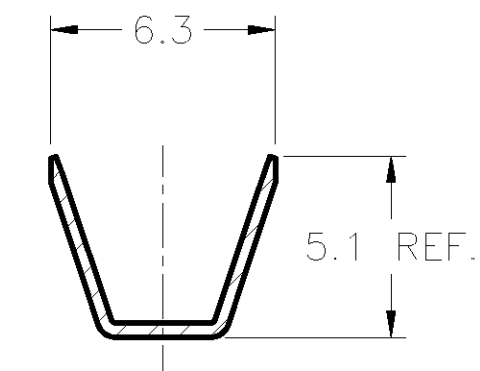
THIS DRAWING IS UNPUBLISHED. RELEASED FOR PUBLICATION .19
 © COPYRIGHT 19 BY AMP INCORPORATED. ALL RIGHTS RESERVED.

CAD
 (Autodesk)
 DO NOT REVISE
 EXCEPT BY CAD

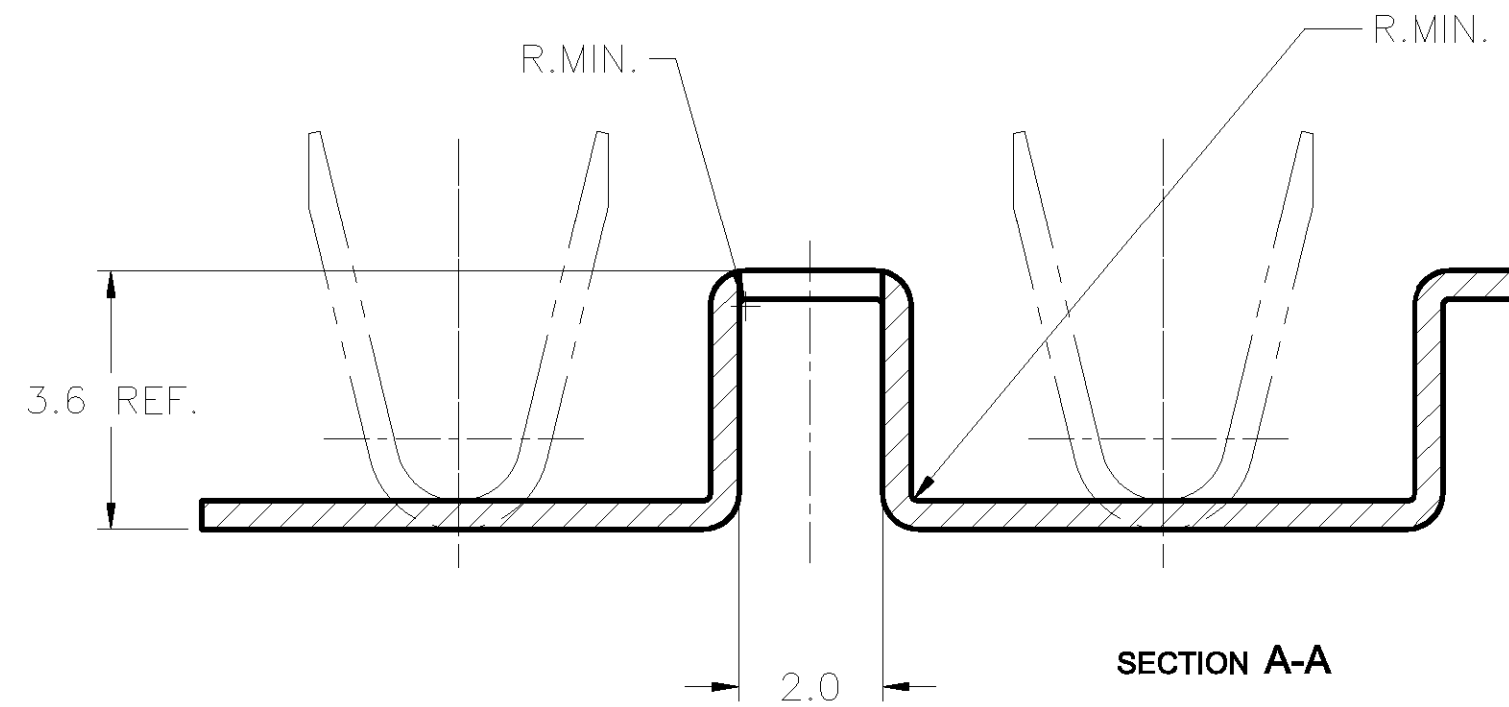
| LOC | | DIST | | REVISIONS | | |
|-----|-----|---------------------------|---------|-----------|------|--|
| P | LTR | DESCRIPTION | DATE | DWN | APVD | |
| E | | REDRAW BY EC 0475/99 | 07JAN00 | FSM | PLF | |
| F | | REVISED BY ECLB00-0274/01 | 02JUL01 | HL | PLF | |
| F1 | | REVISED PER ECO-09-026444 | 28NOV09 | KK | AEG | |



SECTION B-B



SECTION C-C



SECTION A-A

- △ - A QUANTIDADE DE CONTATOS NO BUS-BAR É DEFINIDA PELA NECESSIDADE DO CLIENTE E CORTADA DE ACORDO COM O APLICADOR ESPEDIFICO.
THE BUS-BAR CONTACTS NUMBER IS DEFINED BY CUSTOMER'S NEEDS AND CUT ACCORDINGLY TO THE SPECIFIC APPLICATOR
- △ - ESTES PART NUMBERS SÃO APENAS PARA REFERÊNCIA DO USUÁRIO
THESE PN'S ARE FOR USER'S REFERENCE ONLY
- △ - OS TERMINAIS SÃO FORNECIDOS EM FORMA DE FITA CONTÍNUA SOMENTE
THE CONTACTS ARE SUPPLIED IN CONTINUOUS STRIP FORM ONLY
- △ - OBSOLETE PARTS: OBSOLETE CIS STREAMLINING PER D.RENAUD/D.SINISI

| QTY | WIRE RANGE | INSUL. RANGE | FINISH | MATERIAL | PART NUMBER |
|-----|------------|--------------------------|--------------------------|-------------------------|-------------|
| 4 | 40,12±0,08 | 2,5 - 5,0mm ² | PRE-ESTANHADO/PRE-TINNED | COBRE FERRO/COPPER IRON | 1-880548-6 |
| 3 | 29,12±0,08 | 3,3 - 5,0mm | PRE-ESTANHADO/PRE-TINNED | COBRE FERRO/COPPER IRON | 1-880548-5 |
| 2 | 18,12±0,08 | | PRE-ESTANHADO/PRE-TINNED | COBRE FERRO/COPPER IRON | 1-880548-4 |
| 4 | 40,12±0,08 | | -/- | COBRE FERRO/COPPER IRON | 1-880548-3 |
| 3 | 29,12±0,08 | | -/- | COBRE FERRO/COPPER IRON | 1-880548-2 |
| 2 | 18,12±0,08 | | -/- | COBRE FERRO/COPPER IRON | 1-880548-1 |
| - | - | | PRE-ESTANHADO/PRE-TINNED | COBRE FERRO/COPPER IRON | 1-880548-0 |
| - | - | | -/- | COBRE FERRO/COPPER IRON | 880548-9 |
| 4 | 40,12±0,08 | | PRE-ESTANHADO/PRE-TINNED | LATÃO/BRASS | 880548-8 |
| 3 | 29,12±0,08 | | PRE-ESTANHADO/PRE-TINNED | LATÃO/BRASS | 880548-7 |
| 2 | 18,12±0,08 | | PRE-ESTANHADO/PRE-TINNED | LATÃO/BRASS | 880548-6 |
| 4 | 40,12±0,08 | | -/- | LATÃO/BRASS | 880548-5 |
| 3 | 29,12±0,08 | | -/- | LATÃO/BRASS | 880548-4 |
| 2 | 18,12±0,08 | | -/- | LATÃO/BRASS | 880548-3 |
| - | - | | PRE-ESTANHADO/PRE-TINNED | LATÃO/BRASS | 880548-2 |
| - | - | | -/- | LATÃO/BRASS | 880548-1 |

NOTES: APPLICATOR FEED QTY TERM. △ FINISH MATERIAL PART NUMBER

THIS DRAWING IS A CONTROLLED DOCUMENT.

| | |
|-------------------------------|--|
| DWN: F.S.MARTINS 03NOV1999 | AMP AMP do BRASIL Ltda. São Paulo - Brasil |
| CHK: P.L.FARIA 07JAN2000 | |
| APVD: F.ALEXANDRONI 10JAN2000 | NAME: - |
| PRODUCT SPEC: - | APPLICATION SPEC: NA |
| WEIGHT: - | RESTRICTED TO: - |

SIZE: A2 CAGE CODE: 00779 DRAWING NO: C-880548 SCALE: 5:1 SHEET: 1 OF 1 REV: F1

880548

单击下面可查看定价，库存，交付和生命周期等信息

[>>TE Connectivity\(泰科\)](#)