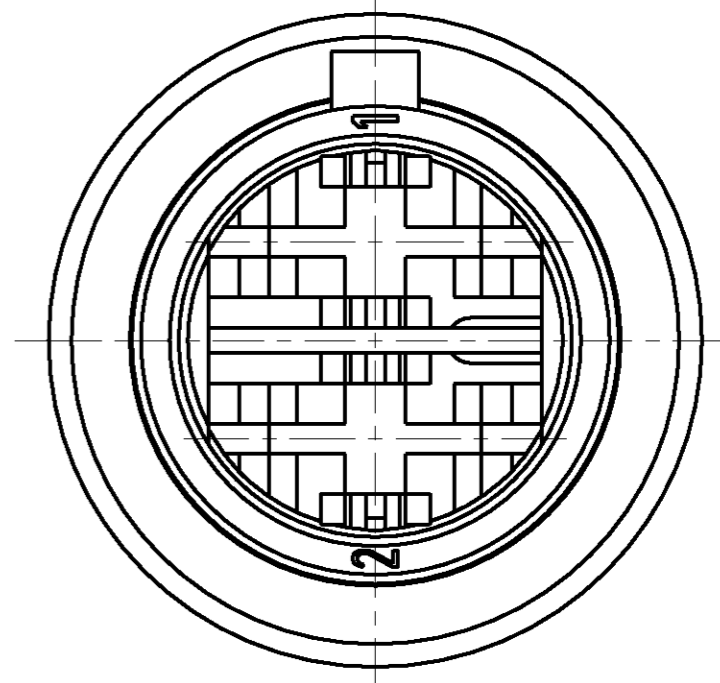
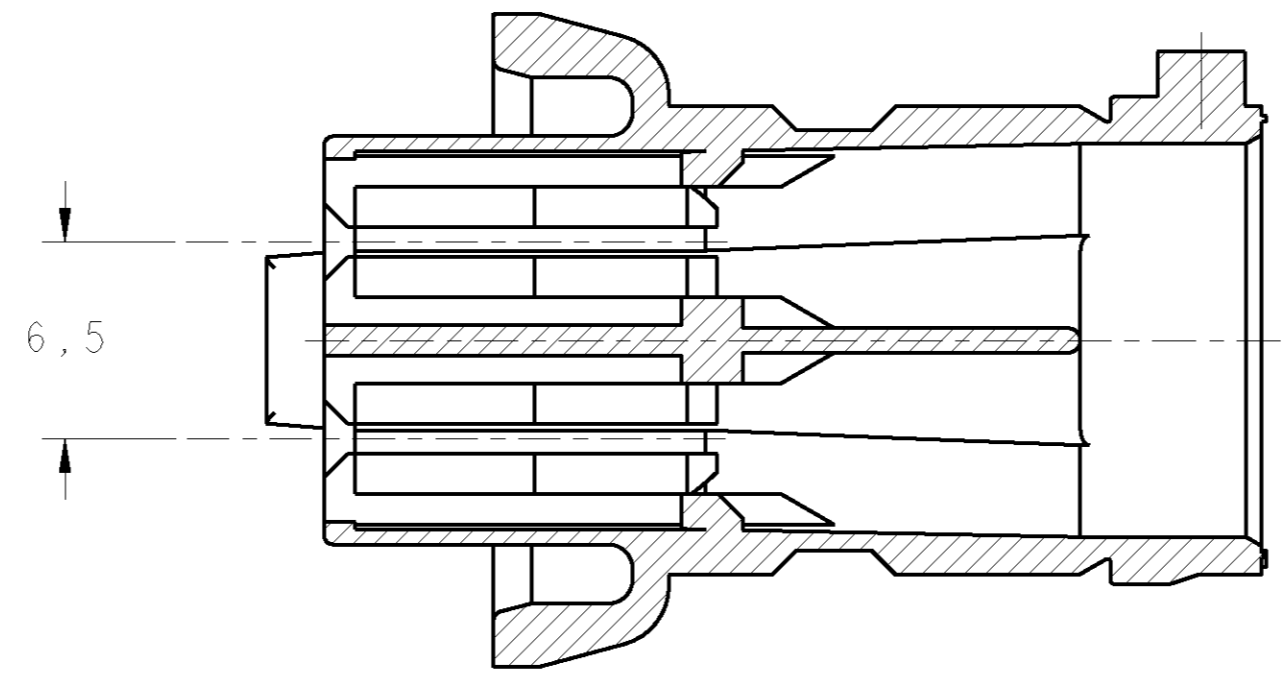
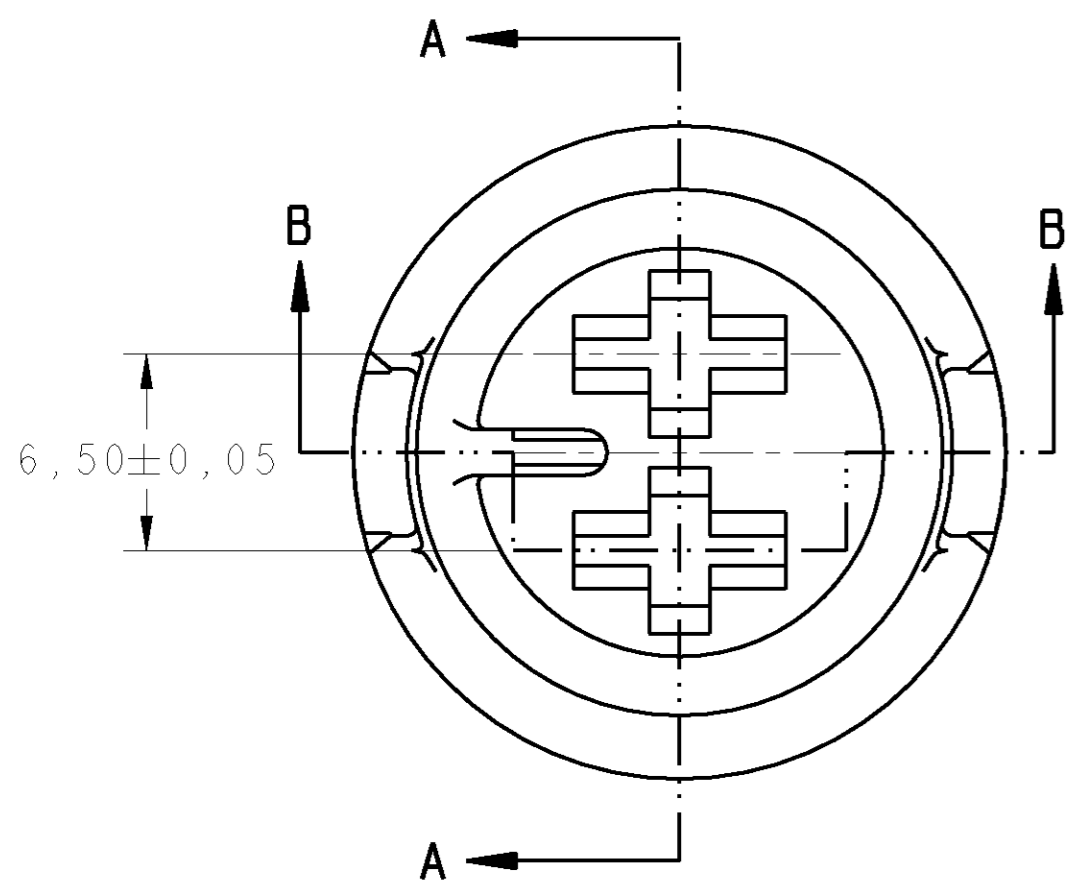
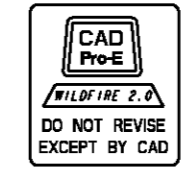
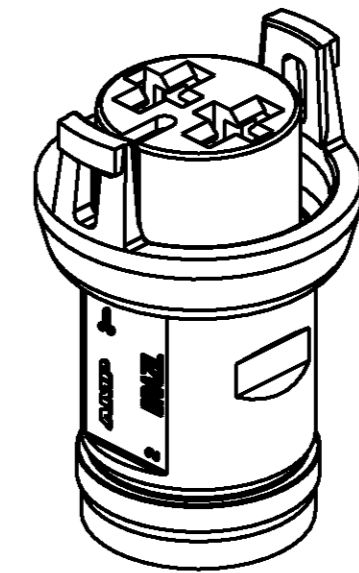
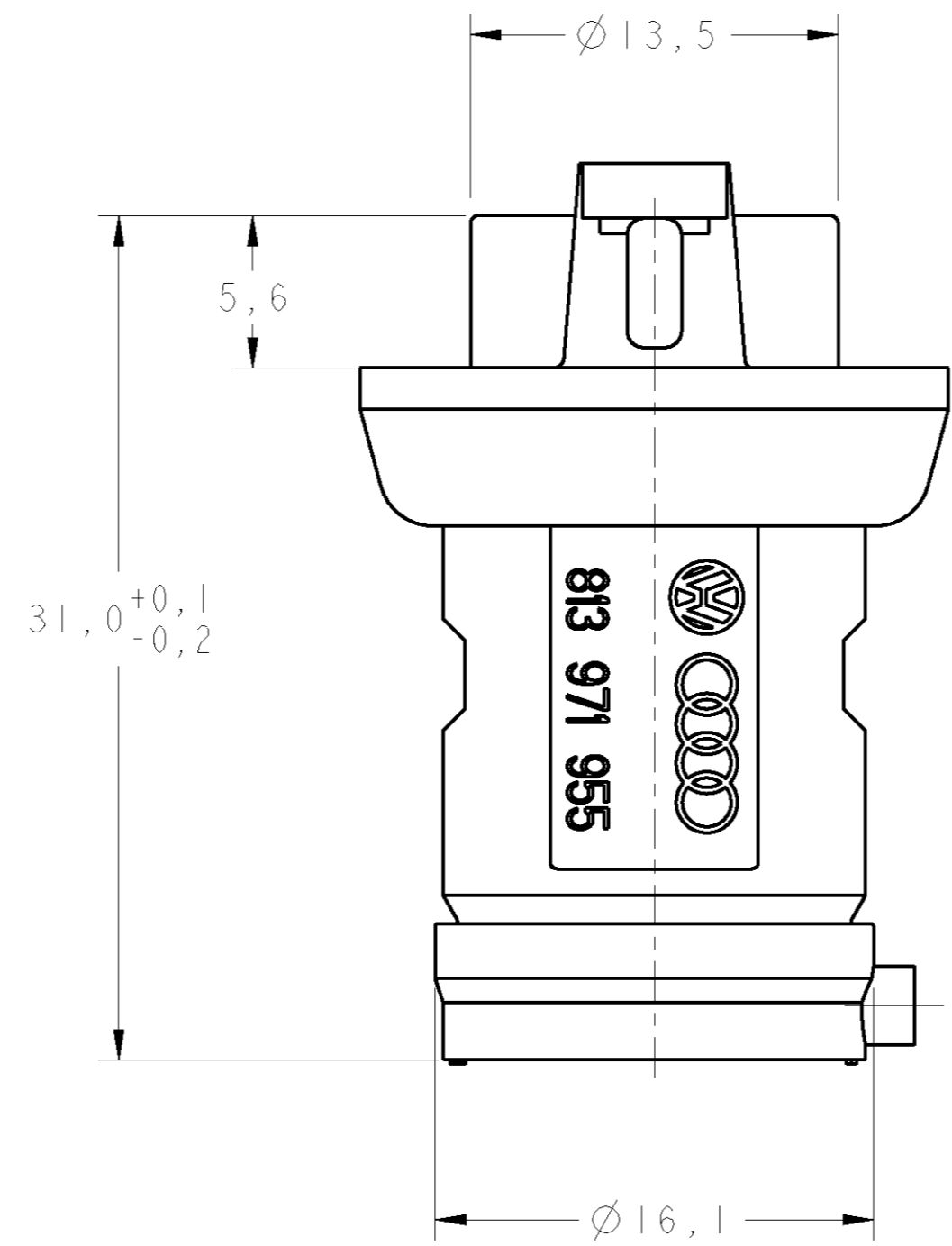
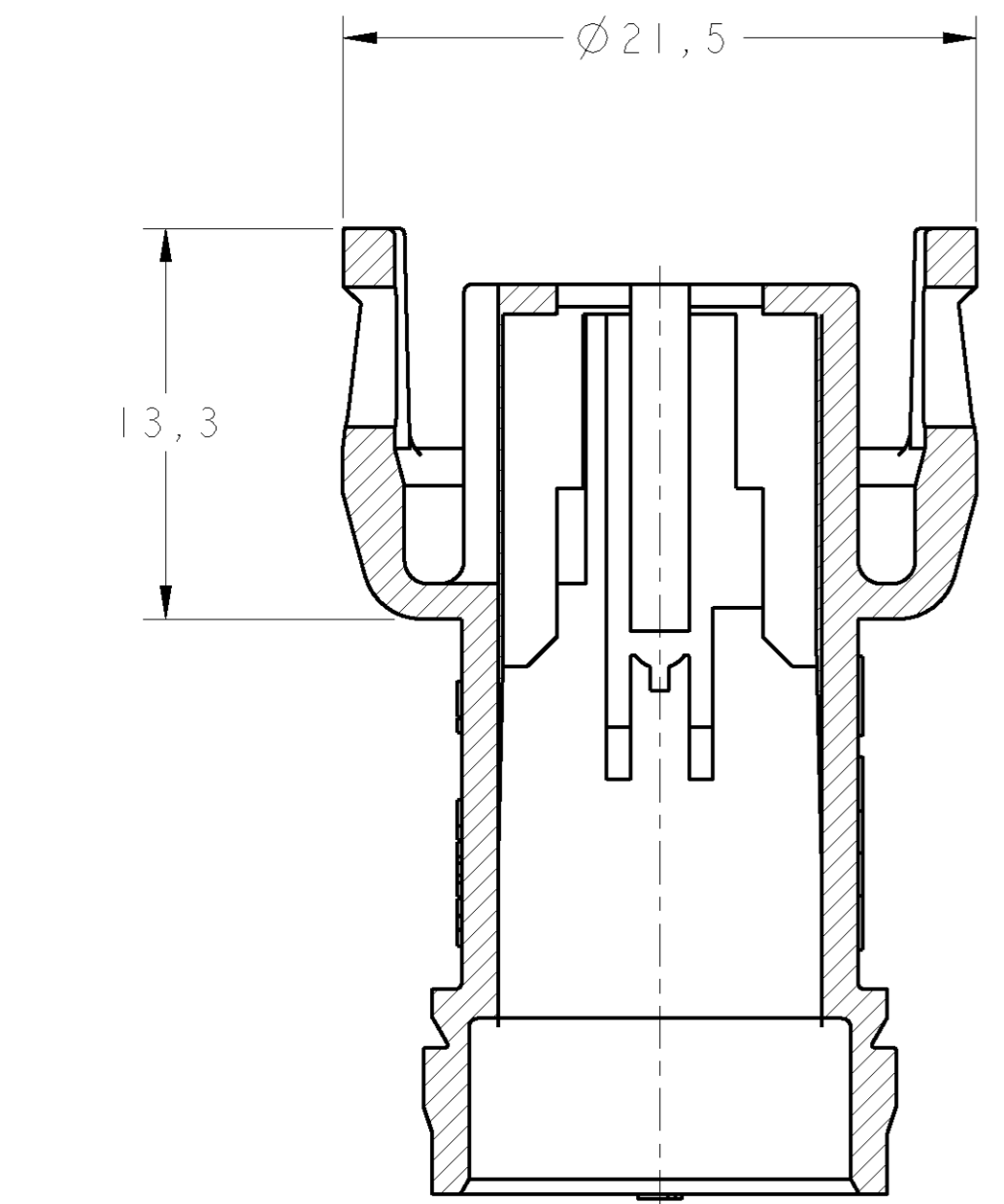


THIS DRAWING IS UNPUBLISHED. RELEASED FOR PUBLICATION 20
 © COPYRIGHT 20 BY TYCO ELECTRONICS CORPORATION. ALL RIGHTS RESERVED.

LOC	DIST	REVISIONS					
AP	-	P	LTR	DESCRIPTION	DATE	DWN	APVD
		C2		REDRAW BY CAD ECO-08-013813	13JUN2008	NCL	MLO



SECÇÃO A-A
SECTION A-A



PERSPECTIVE VIEW
SCALE 2:1

GRAVAÇÃO MARKING	
LOGOTIPO TE	TE LOGO
CÓDIGO PAÍS PRODUTOR	MANUFACTURER COUNTRY CODE
NÚMERO CAVIDADE	CAVITY NUMBER
IDENTIFICAÇÃO CIRCUITO	CIRCUIT IDENTIFICATION
LOGOTIPO VW	VW LOGO
NÚMERO PEÇA CLIENTE	CUSTOMER PART NUMBER
PAÍS PRODUTOR	MANUFACTURER COUNTRY

FINISH	MATERIAL	PART NUMBER
CINZA / GRAY	PA 6.6	-8
VERDE / GREEN	PA 6.6	-7
BRANCO / WHITE	PA 6.6	-6
AZUL / BLUE	PA 6.6	-5
AMARELO / YELLOW	PA 6.6	-4
VERMELHO / RED	PA 6.6	-3
MARROM / BROWN	PA 6.6	-2
PRETO / BLACK	PA 6.6	881205-1

<small>THIS DRAWING IS A CONTROLLED DOCUMENT FOR TYCO ELECTRONICS CORPORATION. IT IS SUBJECT TO CHANGE AND THE CONTROLLING ENGINEERING ORGANIZATION SHOULD BE CONTACTED FOR THE LATEST REVISION.</small>		DWN 13JUN2008 NCLAPRESA CHK 13JUN2008 P.L.FARIA APVD 13JUN2008 GOLIVEIRA	Tyco Electronics TYCO ELECTRONICS do Brasil LTDA. São Paulo, Brasil
DIMENSIONS: mm 	TOLERANCES UNLESS OTHERWISE SPECIFIED: 0 PLC ± 1 PLC ±0.3 2 PLC ± 3 PLC ± 4 PLC ± ANGLES ±1 FINISH SEE TABLE	PRODUCT SPEC NA APPLICATION SPEC NA WEIGHT -	NAME HOUSING 2 POSN STD. POWER TIMER RCPT SIZE A2 CAGE CODE 00779 DRAWING NO C-881205 RESTRICTED TO -
MATERIAL SEE TABLE		CUSTOMER DRAWING	
		SCALE 4:1	SHEET 1 OF 1 REV C2

单击下面可查看定价，库存，交付和生命周期等信息

[>>TE Connectivity\(泰科\)](#)