

4

3

2

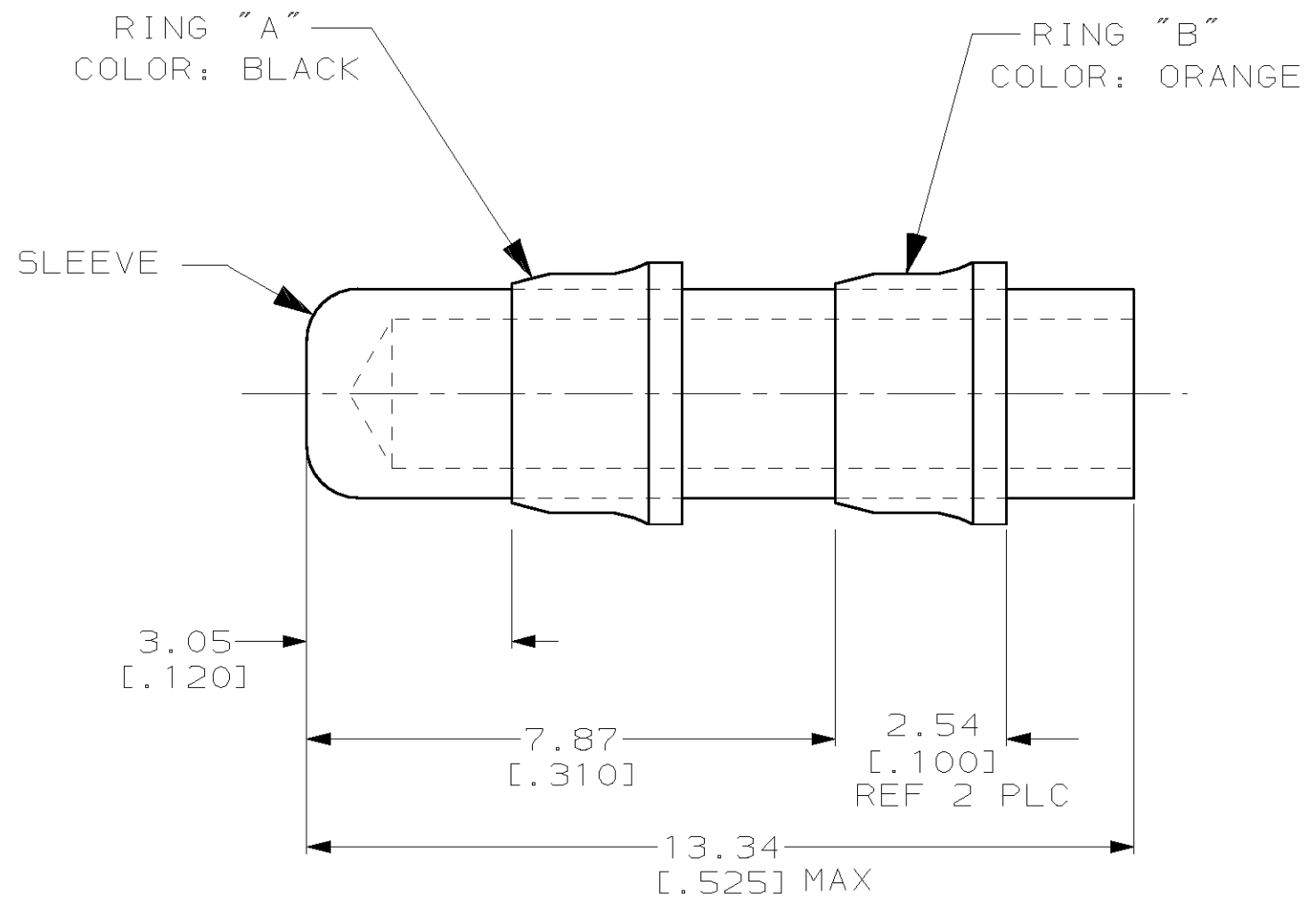
1

THIS DRAWING IS UNPUBLISHED. RELEASED FOR PUBLICATION, 19 .

© COPYRIGHT 19 BY AMP INCORPORATED. ALL RIGHTS RESERVED.

| LOC | DIST | REVISIONS | | | | | |
|-----|------|-----------|-----|----------------------|---------|-----|------|
| | | P | LTR | DESCRIPTION | DATE | DWN | APVD |
| G | 14 | | E | REV PER 063A-0541-00 | 25SEP00 | JR | TM |

1 WIRE INSULATION DIA IS 1.90-2.21
[.075-.087]



| | | | |
|---|--|----------------------------------|---|
| TEFLON ASTM D-1710 | | SLEEVE | |
| COPPER PER ASTM B152 / NICKEL PL PER QQ-N-290 | | RING "B" | |
| COPPER PER ASTM B152 / NICKEL PL PER QQ-N-290 | | RING "A" | |
| MATERIAL / FINISH | | DESCRIPTION | |
| THIS DRAWING IS A CONTROLLED DOCUMENT. | | DWN JR RUTH 31MAY00 | AMP Incorporated Harrisburg, PA 17105-3608 |
| DIMENSIONS: MM [INCHES] | | CHK R HERSEY 31MAY00 | |
| TOLERANCES UNLESS OTHERWISE SPECIFIED: | | APVD T MICHIELUTTI 31MAY00 | |
| | | PRODUCT SPEC - | NAME PRE-INSULATED SPARE WIRE CAP |
| MATERIAL SEE TABLE | | FINISH SEE TABLE | APPLICATION SPEC - |
| | | WEIGHT - | SIZE A3 |
| | | | CAGE CODE 00779 |
| | | | DRAWING NO C- 328859 |
| | | | RESTRICTED TO - |
| CUSTOMER DRAWING | | SCALE 10:1 | SHEET 1 OF 1 |
| | | | REV E |

单击下面可查看定价，库存，交付和生命周期等信息

[>>TE Connectivity\(泰科\)](#)