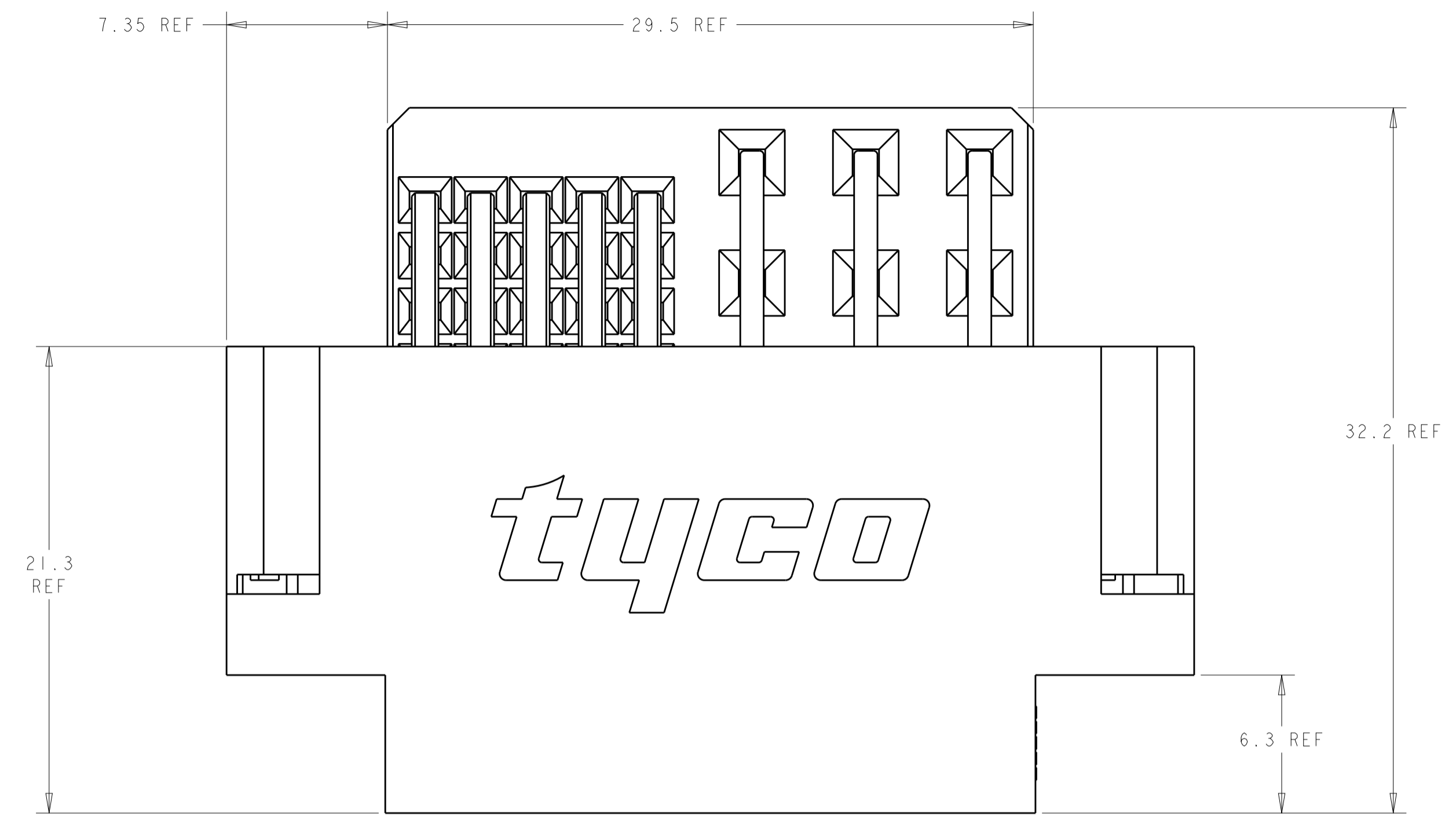
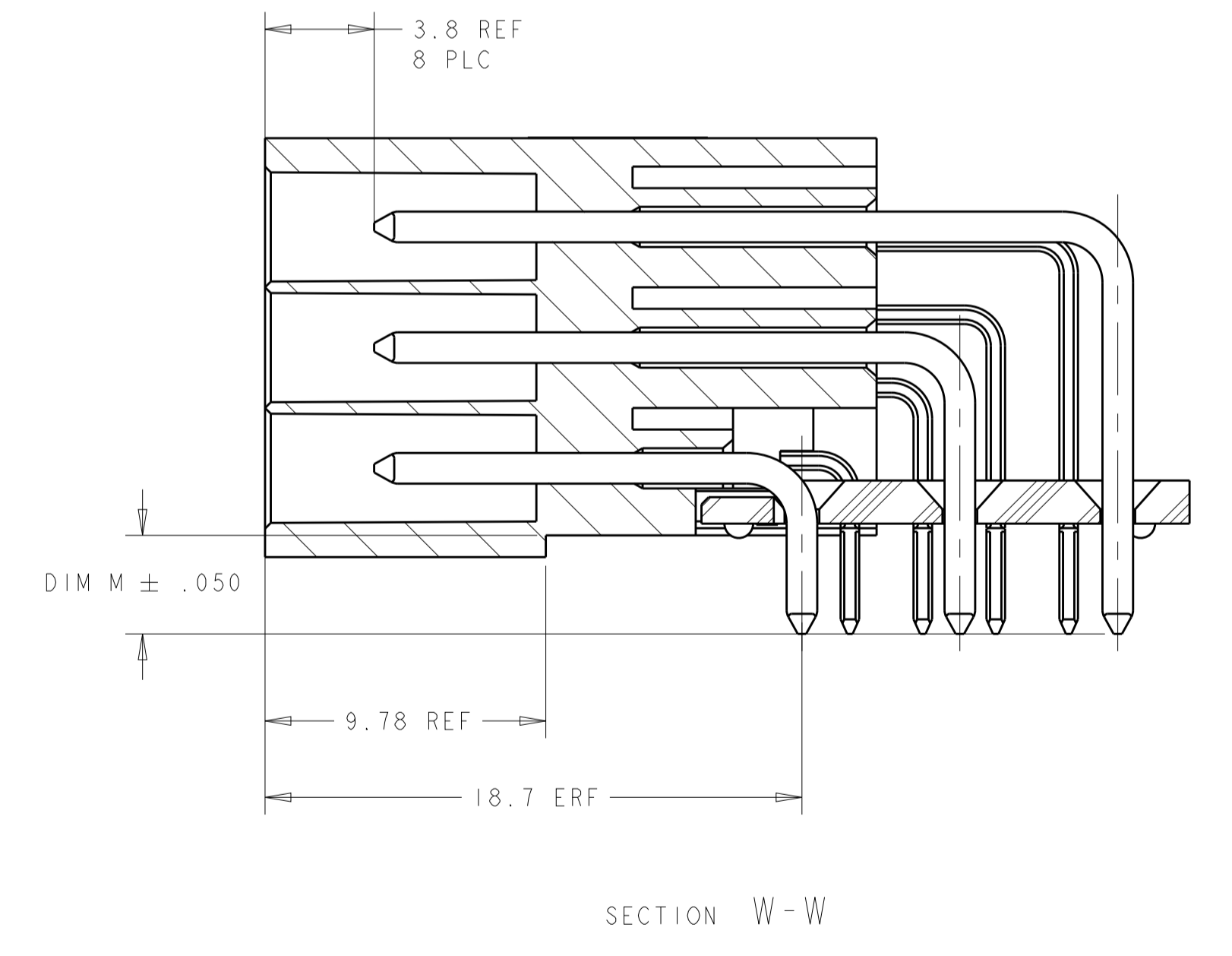
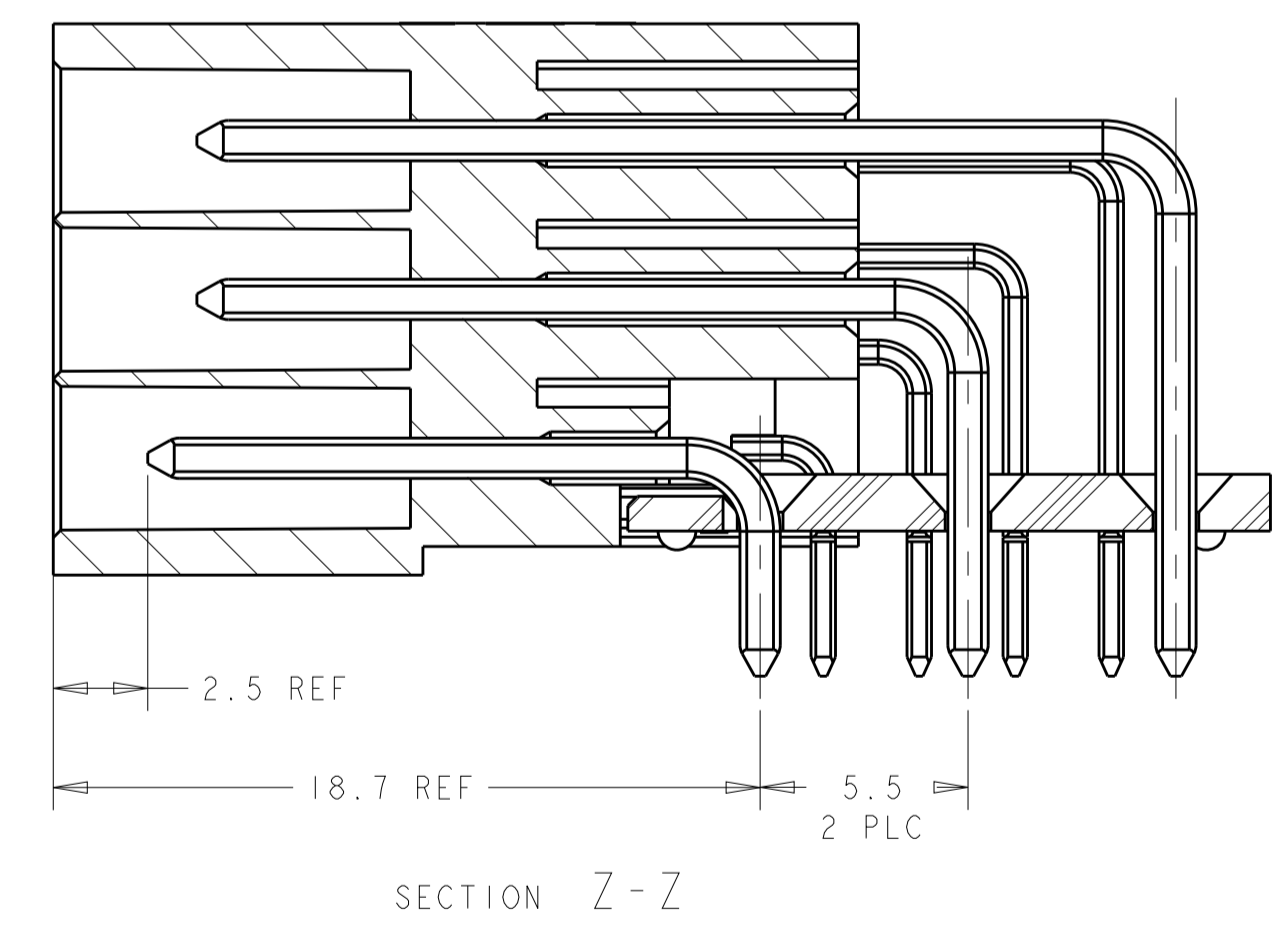
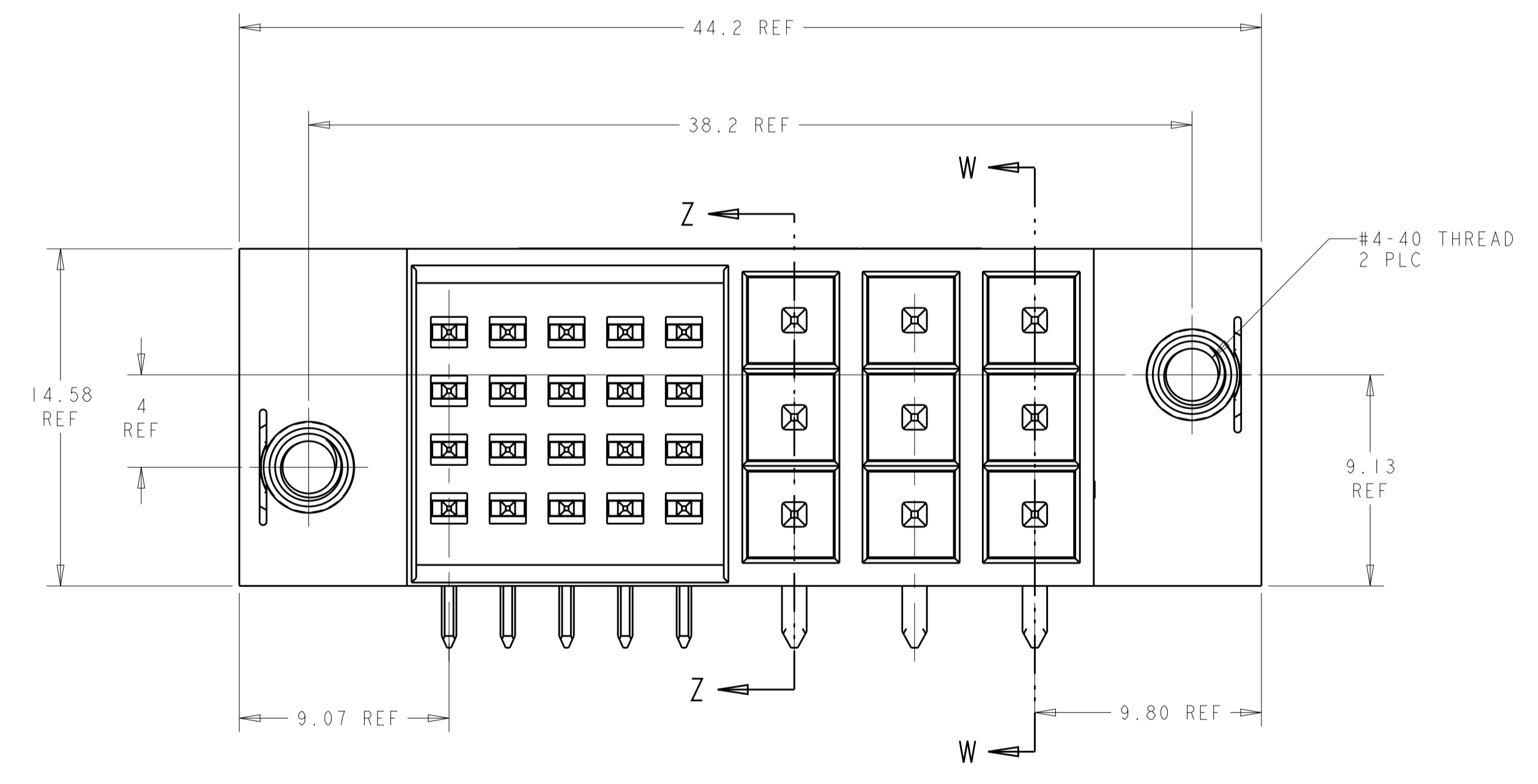


REVISIONS				
P.	LTN	DESCRIPTION	DATE	APVD
7		ADDED NEW DASHNUMBER -3 AND 34	22JUL2009	HL SY
8		REVISED DRAWING	23JUL2009	HL SY
A		REV PER ECR-09-016443	23JUL2009	HL SY
B		REV PER ECO-16-009184	21SEP2016	WY SZ



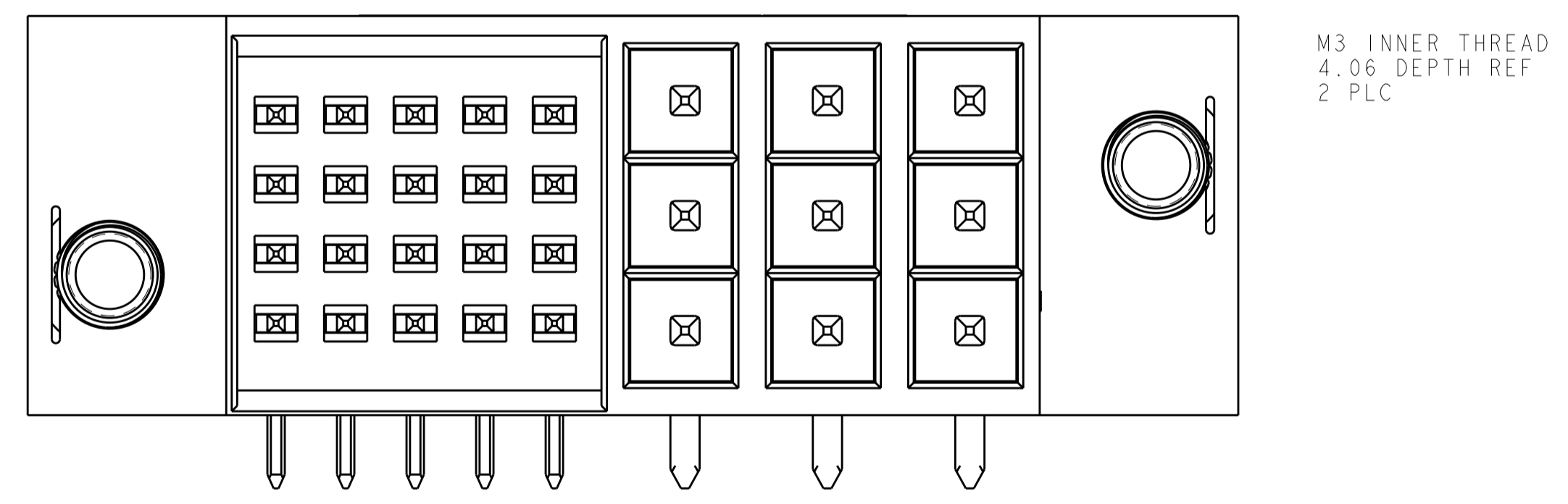
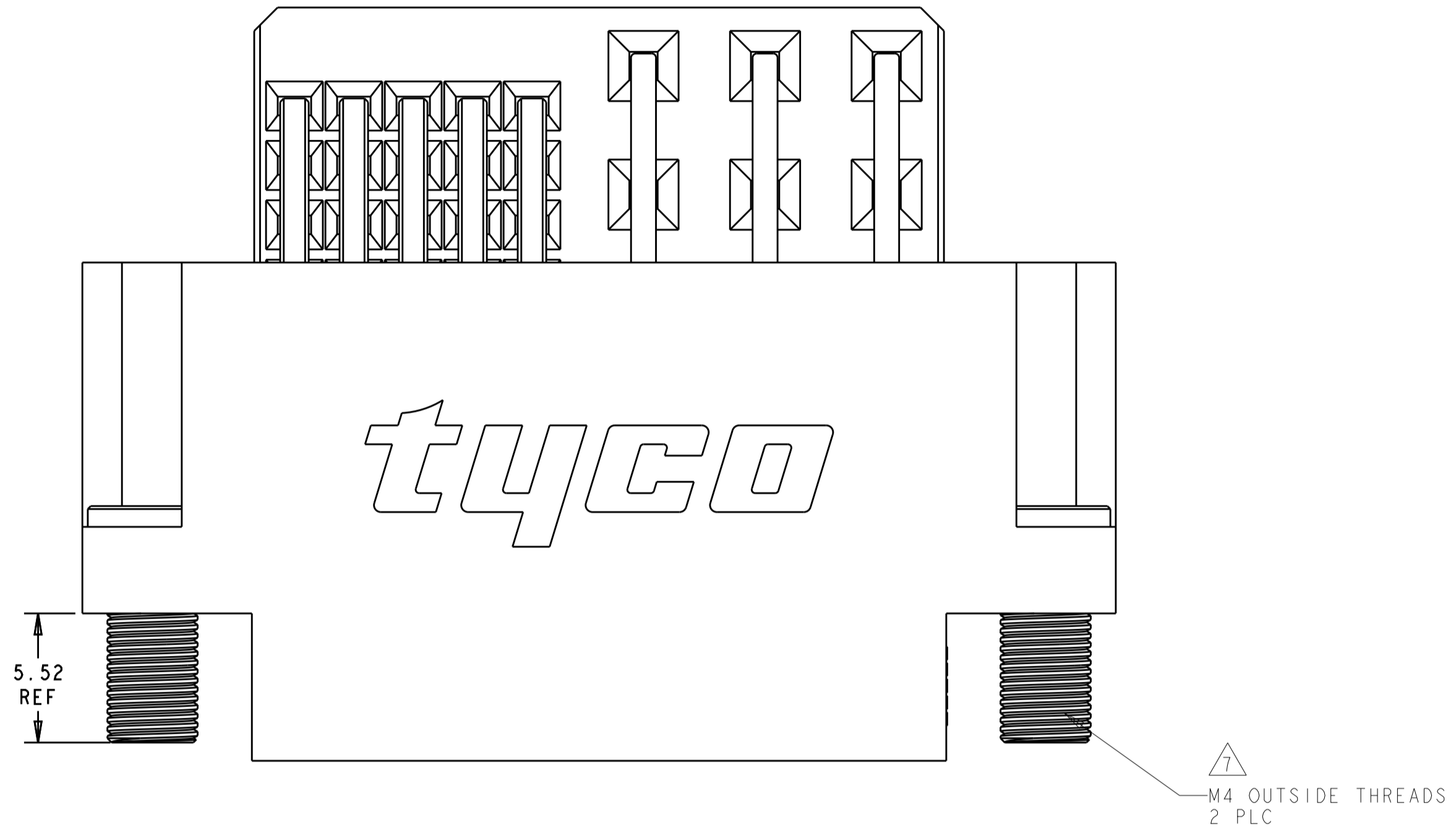
- 1 MATERIAL: HOUSING & SPACER - THERMOPLASTIC; COLOR - BLACK  
 SIGNAL CONTACT - PHOSPHORUS BRONZE  
 POWER CONTACT - COPPER ALLOY  
 THREADED INSERT - ZINC
- 2 PLATING: SIGNAL CONTACT - 1.27um MIN NICKEL OVER ALL  
 1 um MIN MATTE TIN ON CONTACT AREA  
 0.76 um MIN GOLD ON INTERFACE AREA  
 POWER CONTACT - 1.27um MIN NICKEL OVER ALL  
 1 um MIN MATTE TIN ON CONTACT AREA  
 0.76 um MIN GOLD ON INTERFACE AREA  
 THREADED INSERT - CLEAR CHROMATE
- 3 PCB - ALL HOLE DIAMETERS FINISHED HOLE SIZES
- 4 DATUMS AND BASIC DIMENSIONS ESTABLISHED BY CUSTOMER
- 5 DIMENSION APPLIES TO CENTERLINE OF THRU HOLE
- 6 OPTIONAL - NEEDED FOR USE WITH BOARD LOCKS
- 7 FOR 6469602-3 AND -4 THE RECOMMENDED TORQUE FOR THE STANDOFF NUT IS 1.02 N-m (9.00 in-lbs)MAX
- 8 FOR 6469602-3 AND -4 PLEASE REFER TO SHEET 2.
- 9 FOR 6469602-1 AND -2 THE DIMENSION D IS 3.5 mm.  
 FOR 6469602-3 AND -4 THE DIMENSION D IS 4.5 mm.



OBSOLETE	6.86	6469602-2
OBSOLETE	3.43	6469602-1
DIM M	PART NUMBER	

THIS DRAWING IS A CONTROLLED DOCUMENT.		DWN S. J. MAGARO 31JAN2006	TE Connectivity NAME DUAC PL - 11, HEADER ASSEMBLY
DIMENSIONS:		CHK C. RITIER 31JAN2006	
mm	TOLERANCES UNLESS OTHERWISE SPECIFIED:	APVD	PRODUCT SPEC
0 PLC	±		APPLICATION SPEC
1 PLC	±		SIZE
2 PLC	±		CAGE CODE
3 PLC	±		DRAWING NO
4 PLC	±		RESTRICTED TO
ANGLES	±		A100779C=6469602
MATERIAL	FINISH	WEIGHT	SCALE 5:1 SHEET 1 OF 3 REV B
CUSTOMER DRAWING			

REVISIONS				
P.	LTN	DESCRIPTION	DATE	APVD
-	-	SEE SHEET 1	-	-

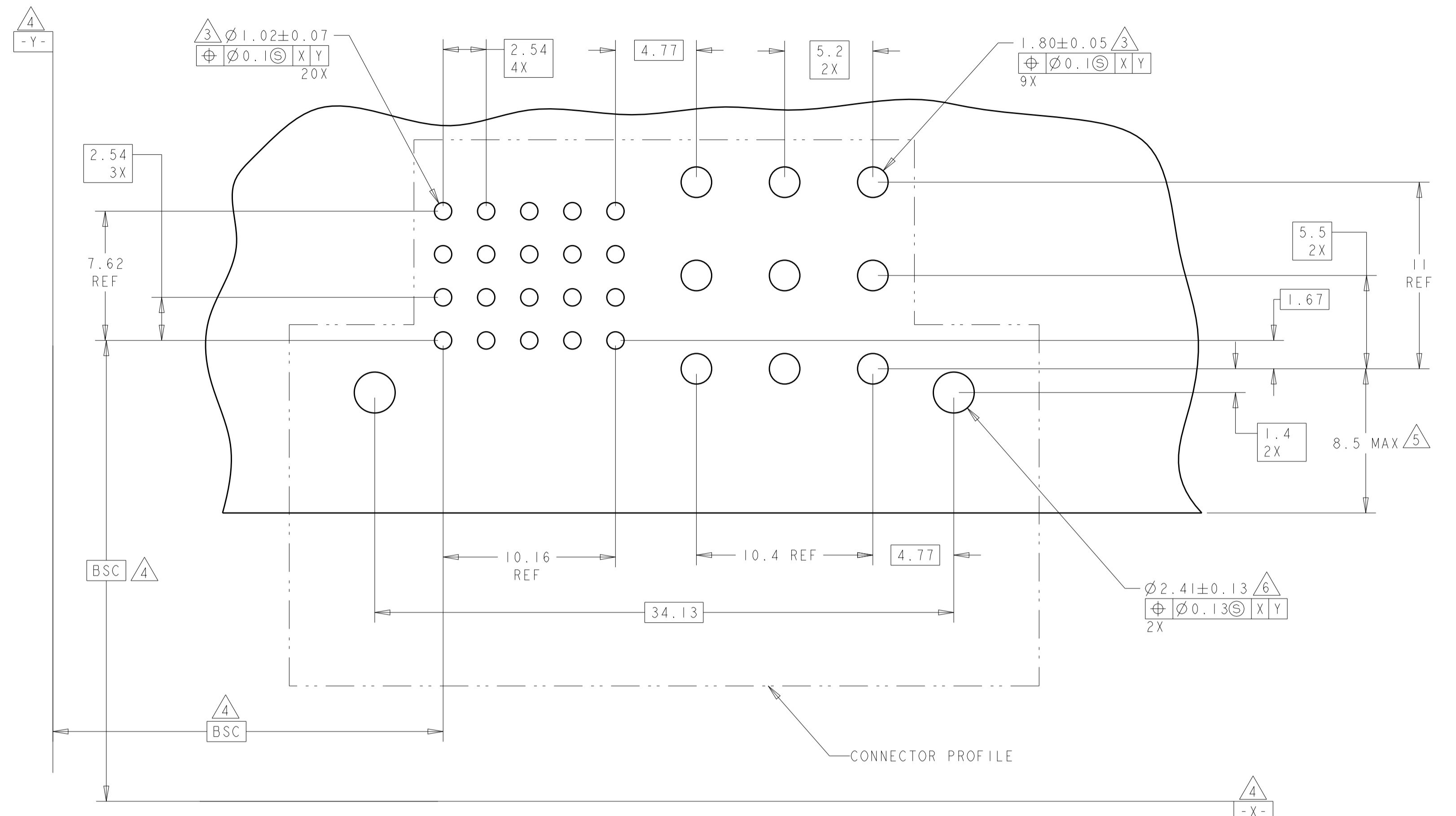


6469602-3 AND 6469602-4 <sup>8</sup>  
 UNSPECIFIED DIMENSIONS PLEASE REFER TO SHEET 1.

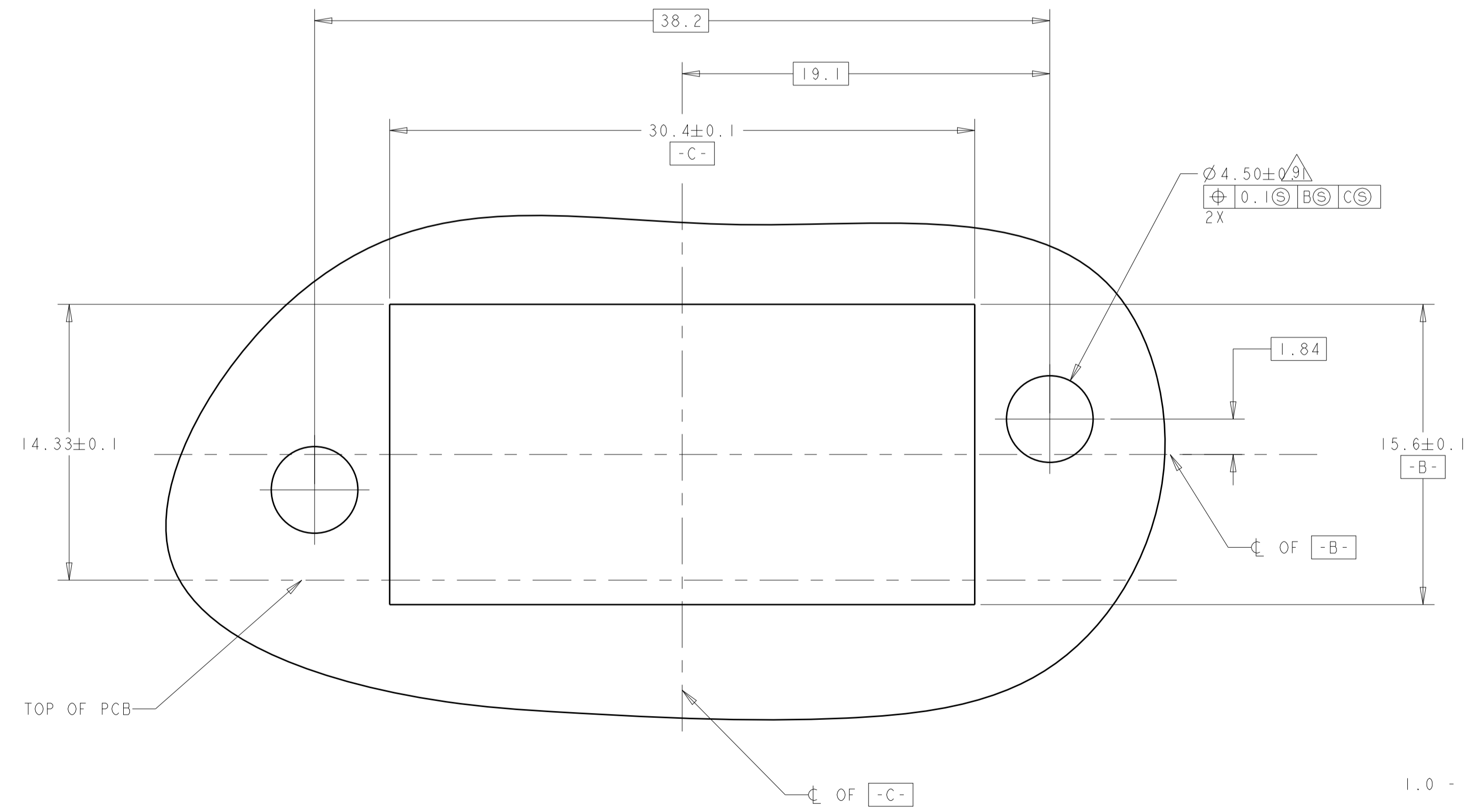
OBSOLETE	6.06	6469602-4
	3.43	6469602-3
DIM M		PART NUMBER

THIS DRAWING IS A CONTROLLED DOCUMENT.		DWN S.J. MAGARO 31JAN2006 CHK C. RITIER 31JAN2006 APVD -	<b>STE</b> TE Connectivity NAME DUAC PL - 11, HEADER ASSEMBLY PRODUCT SPEC - APPLICATION SPEC -
DIMENSIONS: mm 	TOLERANCES UNLESS OTHERWISE SPECIFIED: 0 PLC ± 1 PLC ± 2 PLC ± 3 PLC ± 4 PLC ± ANGLES ± FINISH -	SIZE CAGE CODE DRAWING NO A100779C=6469602 WEIGHT - CUSTOMER DRAWING	RESTRICTED TO SCALE 5:1 SHEET 2 OF 3 REV B

REVISIONS				
P.	LTN.	DESCRIPTION	DATE	APVD.
-	-	SEE SHEET 1	-	-



PCB SHOWN FROM COMPONENT SIDE OF BOARD  
 SCALE 5:1



PANEL CUT-OUT  
 SCALE 5:1

THIS DRAWING IS A CONTROLLED DOCUMENT.		DWN S. J. MAGARO 31 JAN 2006	TE Connectivity	
DIMENSIONS:		CHK C. RITIER 31 JAN 2006	NAME DUAC PL - 11, HEADER ASSEMBLY	
mm	TOLERANCES UNLESS OTHERWISE SPECIFIED:	APVD	PRODUCT SPEC	
0 PLC	±		APPLICATION SPEC	
1 PLC	±		SIZE CAGE CODE DRAWING NO	
2 PLC	±		RESTRICTED TO	
3 PLC	±		A100779C=6469602	
4 PLC	±		SCALE 5:1 SHEET 3 OF 3 REV B	
ANGLES	±			
MATERIAL	FINISH	WEIGHT	CUSTOMER DRAWING	

单击下面可查看定价，库存，交付和生命周期等信息

[>>TE Connectivity\(泰科\)](#)