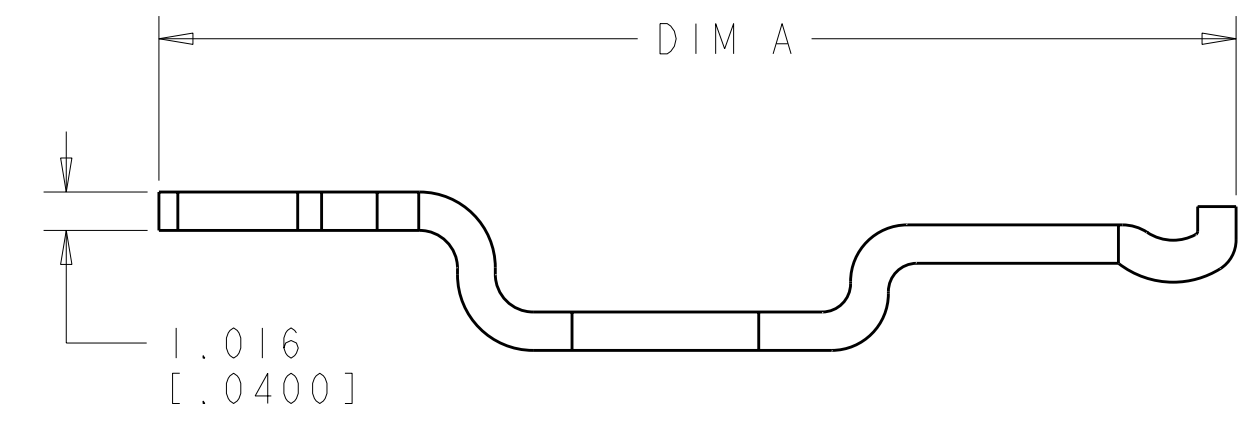
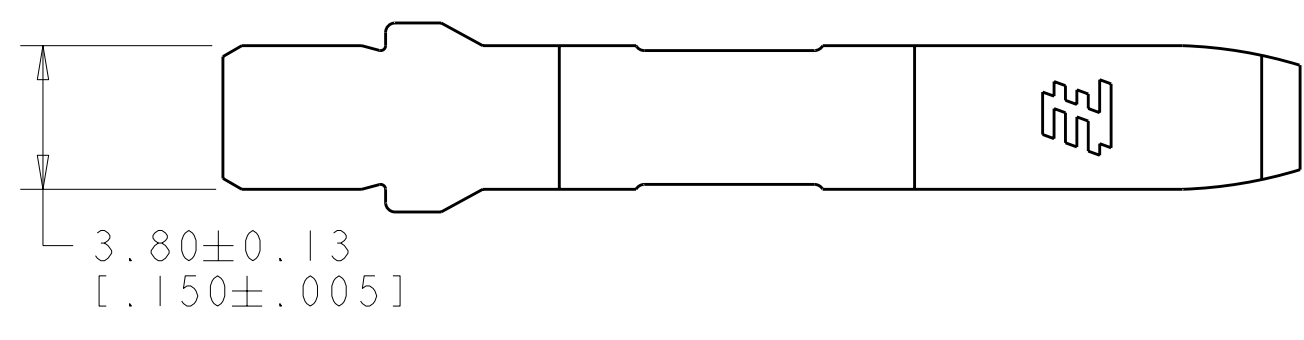
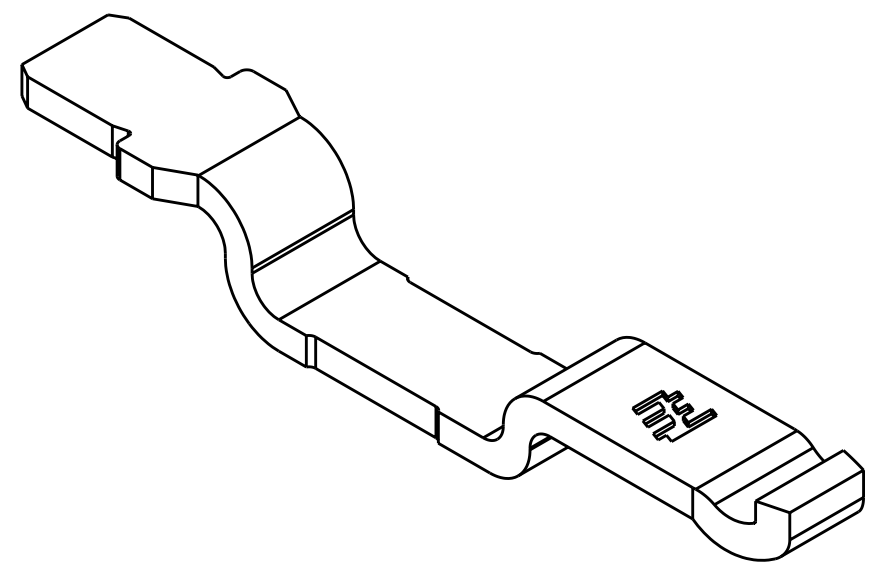
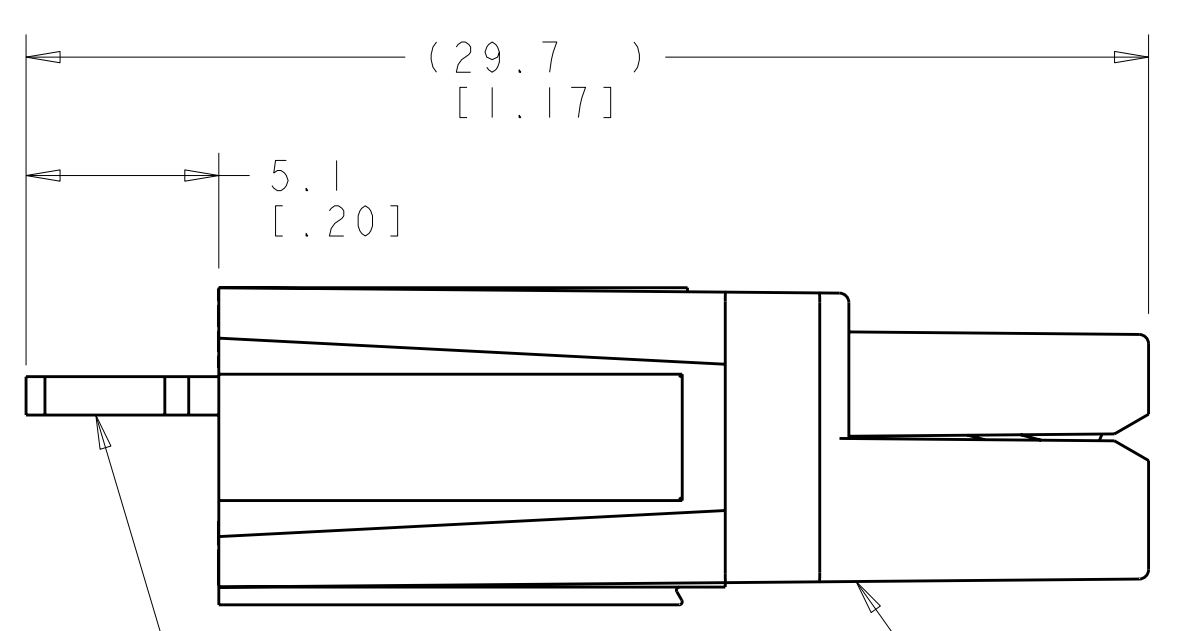
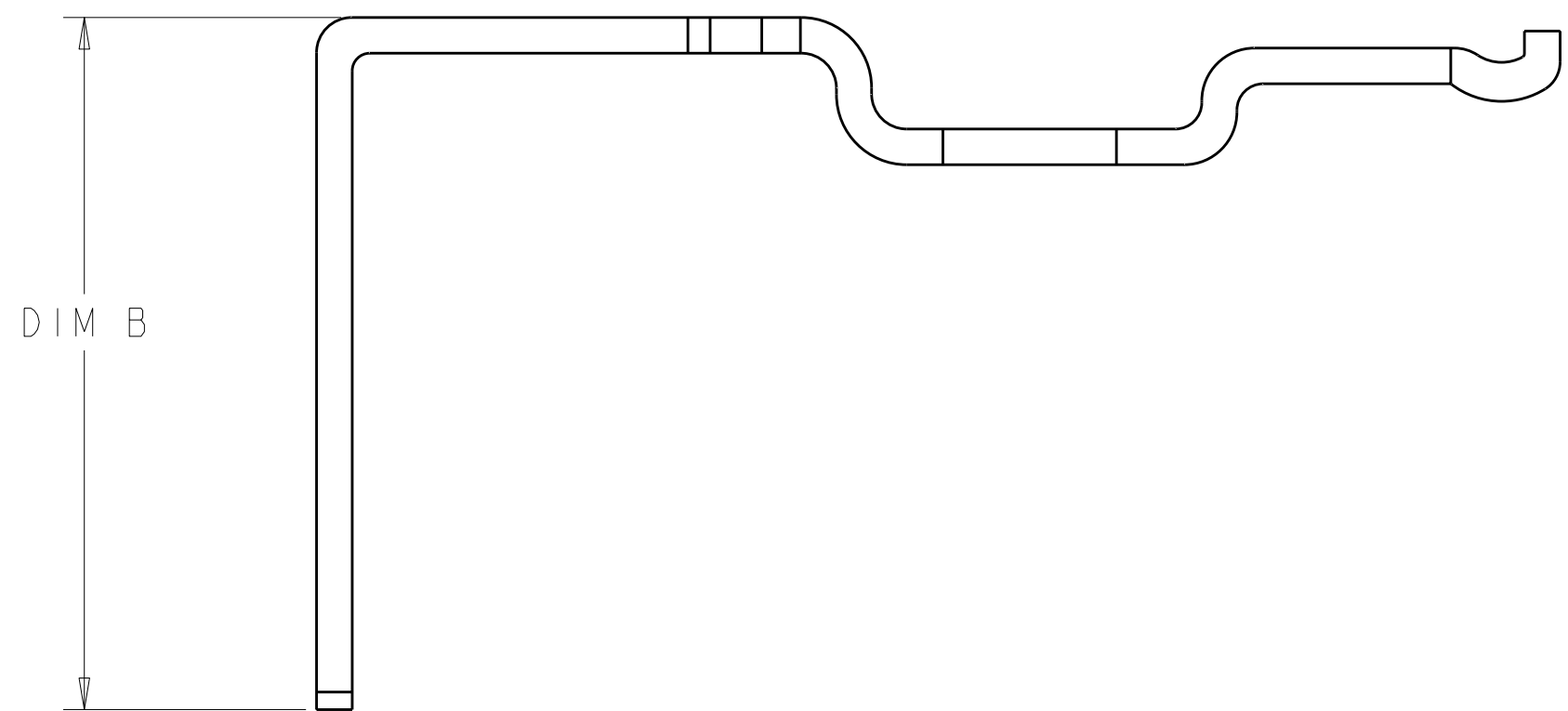
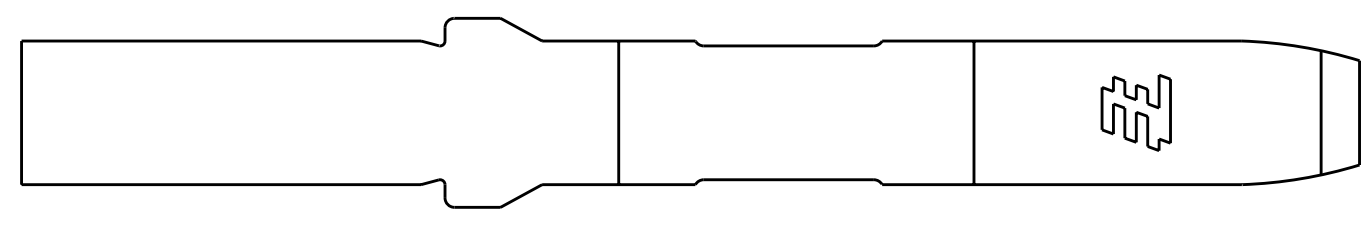
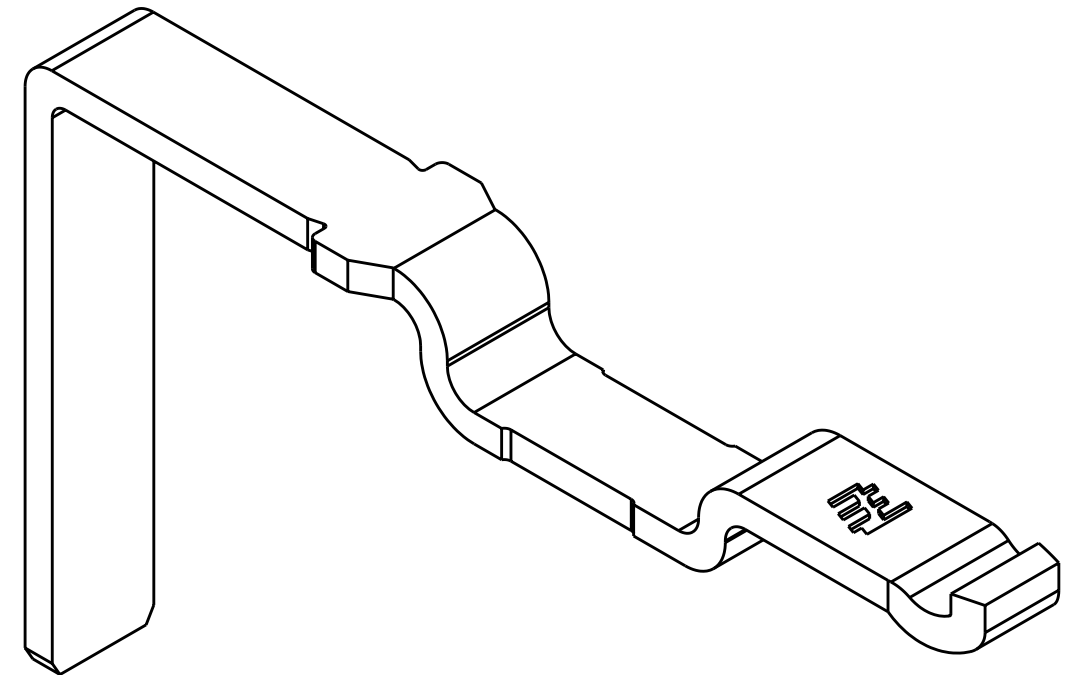
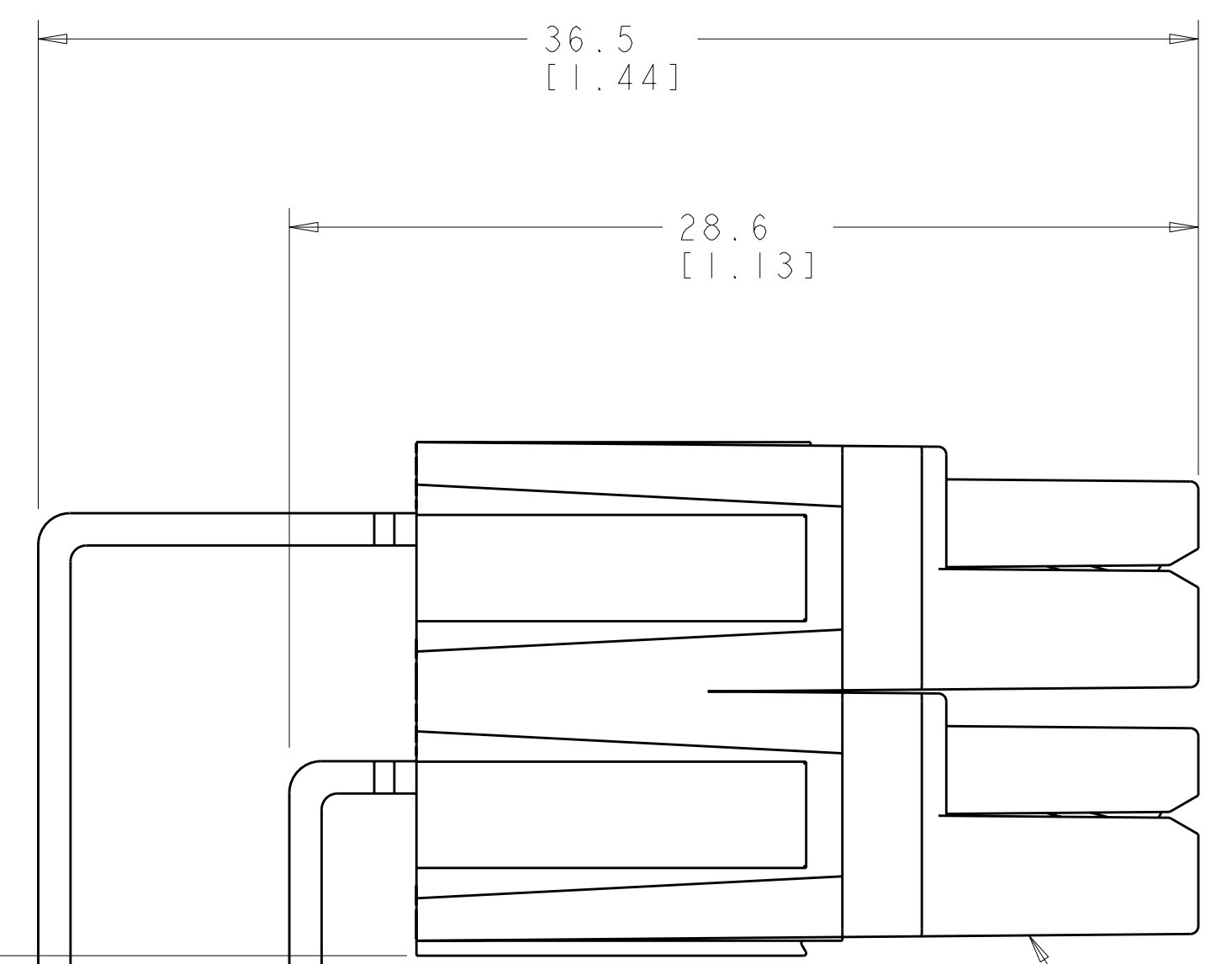


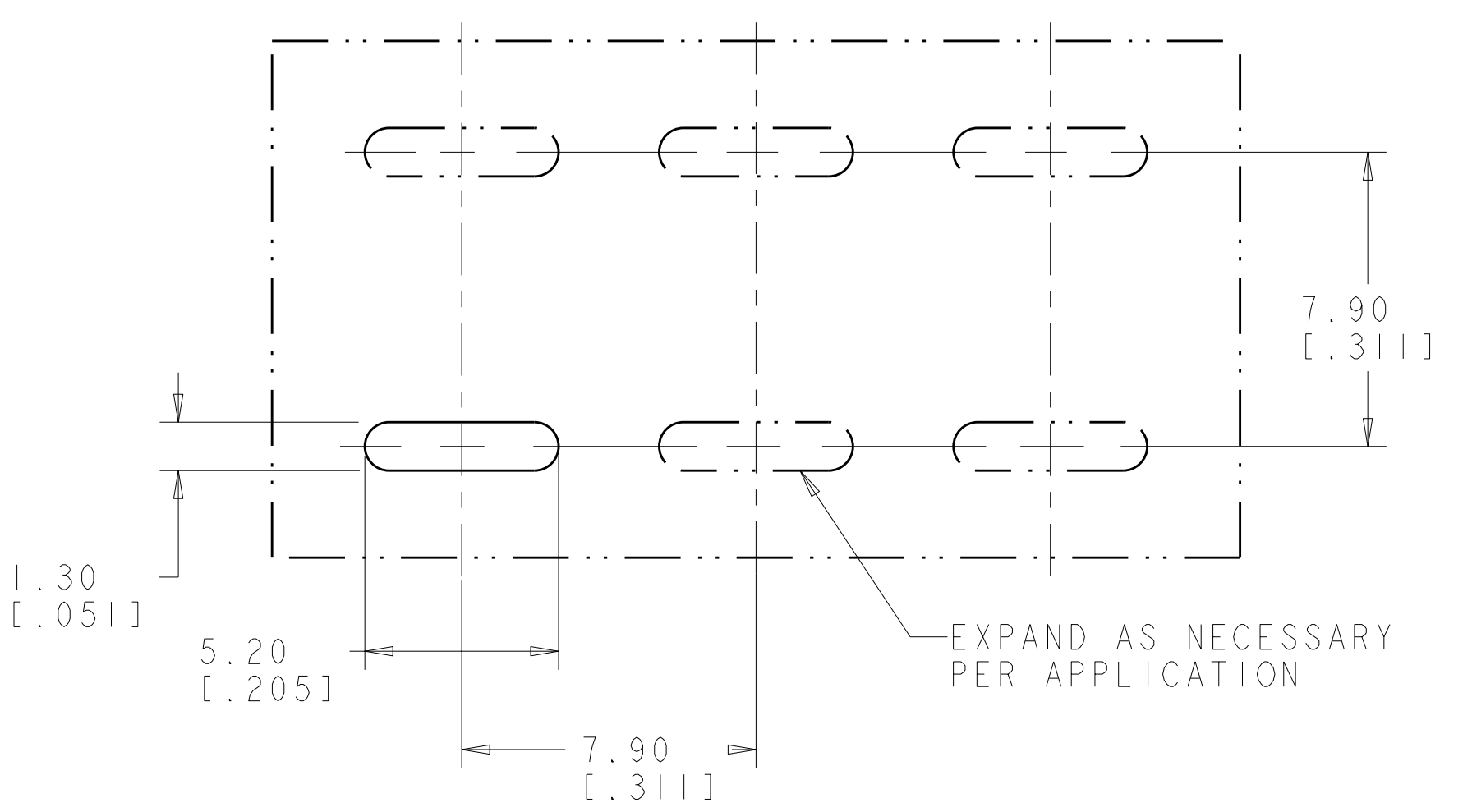
LOC		DIST		REVISIONS			
CM	00	P	LTR	DESCRIPTION	DATE	DWN	APVD
		A		REVISED PER ECO-11-018956	27SEP2011	KH	DY



1744340-1 HOUSING 1445957, (NOT INCLUDED)



1744340-2 HOUSINGS 1445957, STACKED VERTICALLY (NOT INCLUDED)



RECOMMENDED BOARD LAYOUT

565.23 [0.876]	19.70 [0.776]	35.40 [1.394]	1744340-3
414.01 [0.642]	11.90 [0.469]	27.50 [1.083]	1744340-2
320.94 [0.497]	0.00 [0.000]	28.50 [1.122]	1744340-1
SURFACE AREA	DIM B	DIM A	PART NUMBER

THIS DRAWING IS A CONTROLLED DOCUMENT.

DIMENSIONS: mm [INCHES]	TOLERANCES UNLESS OTHERWISE SPECIFIED:	DWN: R. WHITAKER 22JUL2008	CHK: D. BOSSI 22JUL2008	APVD: D. BOSSI 22JUL2008	NAME: R. WHITAKER
9 PLC ±.5 [.020]	2 PLC ±0.13 [0.005]	PRODUCT SPEC		PCB CONTACT, HIGH POWER, POWER SERIES	
5 PLC ±0.13 [0.005]	4 PLC ±.5 [.020]	APPLICATION SPEC		SIZE: CAGE CODE: DRAWING NO: RESTRICTED TO	
ANGLES ±°	FINISH ±°	WEIGHT		A100779C=1744340	
MATERIAL: COPPER	FINISH: BRIGHT TIN	CUSTOMER DRAWING		SCALE: 6:1 SHEET 1 OF 1 REV A	

STE TE Connectivity



单击下面可查看定价，库存，交付和生命周期等信息

[>>TE Connectivity\(泰科\)](#)