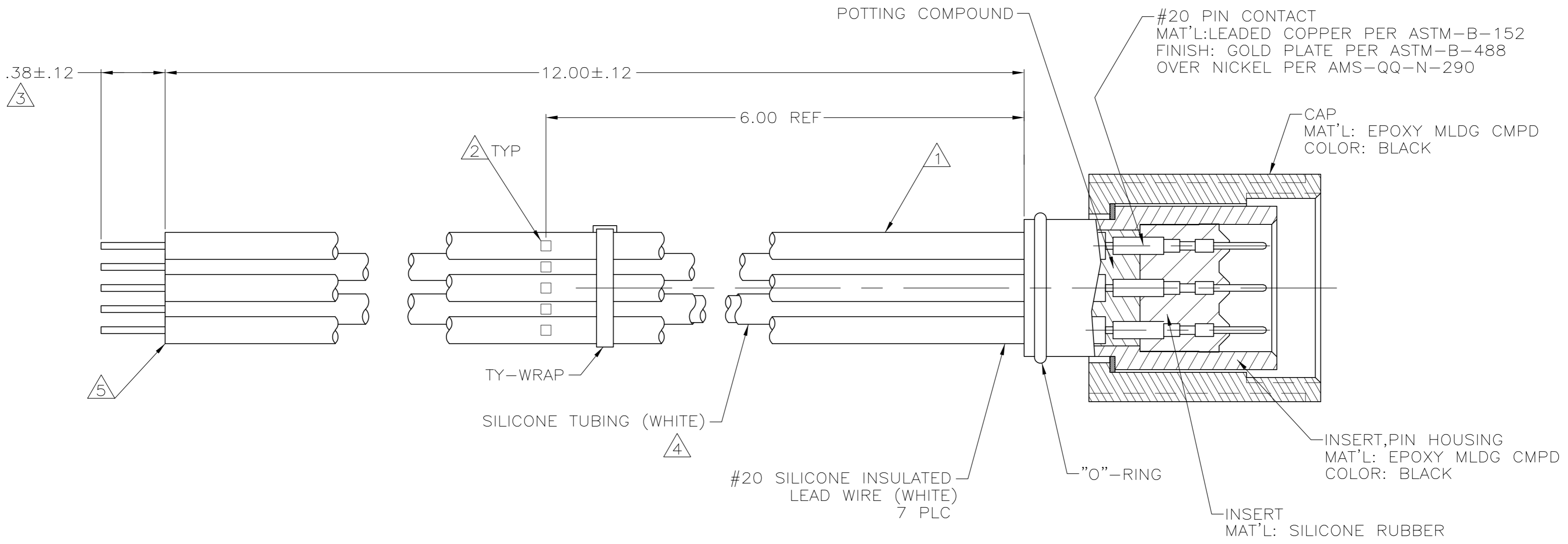


THIS DRAWING IS UNPUBLISHED. RELEASED FOR PUBLICATION - N/A .  
 © COPYRIGHT N/A By - ALL RIGHTS RESERVED.

LOC	DIST	REVISIONS					
DF	S0	P	LTR	DESCRIPTION	DATE	DWN	APVD
		D		REV PER ECO-12-005082	15MAR12	PY	DE

- △1 AMP INFORMATION MARKED PER MIL-STD-130 ON LEAD FROM PIN #3.
- △2 PIN NUMBER MARKED ON LEAD PER MIL-STD-130.
- △3 PIGTAILS ARE SOLDER DIPPED. (865586-1 ONLY)
- △4 SILICONE TUBING ON LEAD #3 ONLY.
- △5 INSULATION CUT, BUT NOT REMOVED. (5-865586-1 ONLY)



5-865586-1  
 865586-1  
 PART NO.

THIS DRAWING IS A CONTROLLED DOCUMENT.		DWN C.C.THOMAS 26-MAR-92	TE Connectivity																			
DIMENSIONS: INCHES [mm]		CHK D.EABY 20-APR-92																				
TOLERANCES UNLESS OTHERWISE SPECIFIED:		APVD D.EABY 20-APR-92	NAME PLUG ASSY 7 POSN LGH																			
<table border="1"> <tr><td>0 PLC</td><td>±</td><td>-</td></tr> <tr><td>1 PLC</td><td>±</td><td>-</td></tr> <tr><td>2 PLC</td><td>±</td><td>-</td></tr> <tr><td>3 PLC</td><td>±</td><td>-</td></tr> <tr><td>4 PLC</td><td>±</td><td>-</td></tr> <tr><td>ANGLES</td><td>±</td><td>-</td></tr> </table>		0 PLC	±	-	1 PLC	±	-	2 PLC	±	-	3 PLC	±	-	4 PLC	±	-	ANGLES	±	-	PRODUCT SPEC -	SIZE A2	CAGE CODE 00779
0 PLC	±	-																				
1 PLC	±	-																				
2 PLC	±	-																				
3 PLC	±	-																				
4 PLC	±	-																				
ANGLES	±	-																				
MATERIAL SEE CALLOUTS		FINISH SEE CALLOUTS	WEIGHT -	DRAWING NO 865586																		
		CUSTOMER DRAWING	SCALE 2:1	SHEET 1 of 1																		
			RESTRICTED TO -	REV D																		

单击下面可查看定价，库存，交付和生命周期等信息

[>>TE Connectivity\(泰科\)](#)