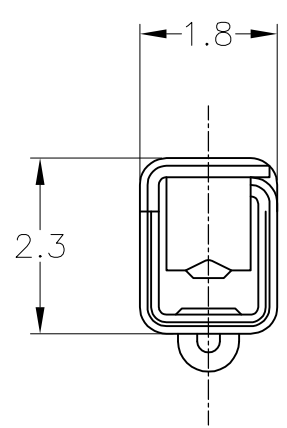
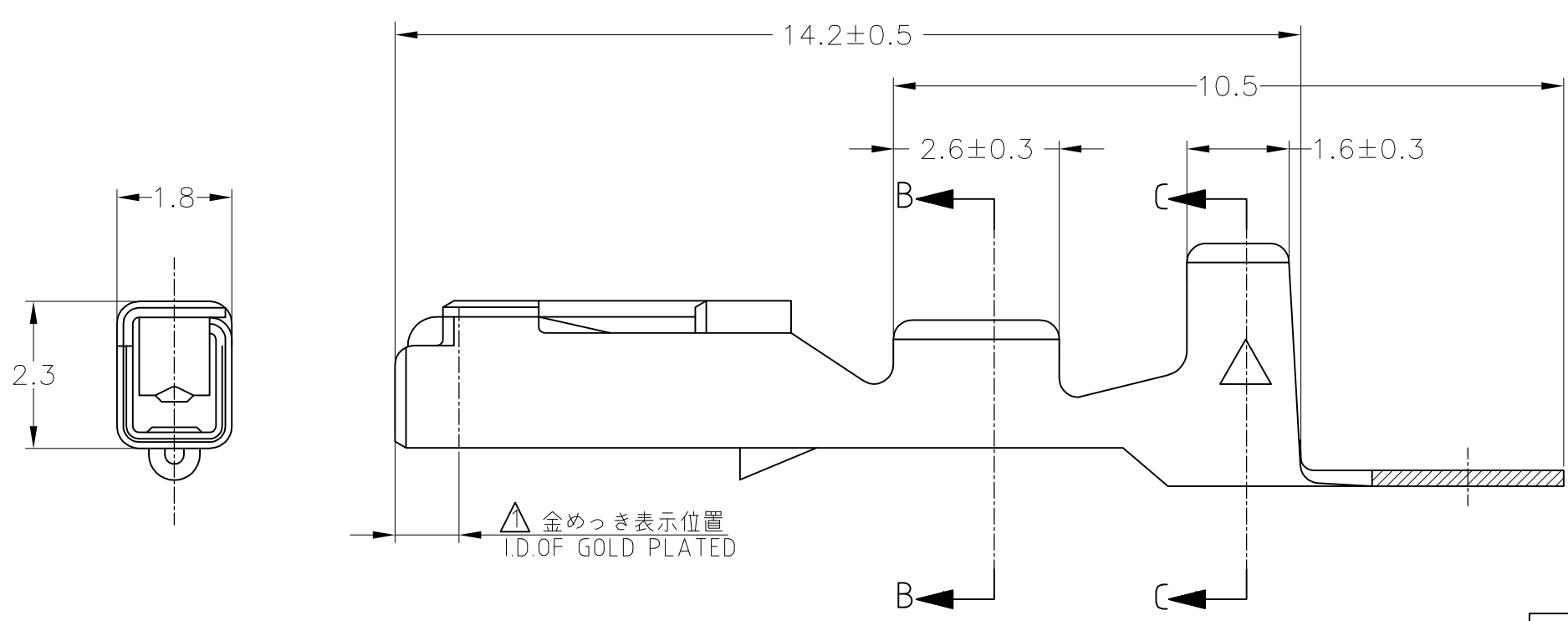
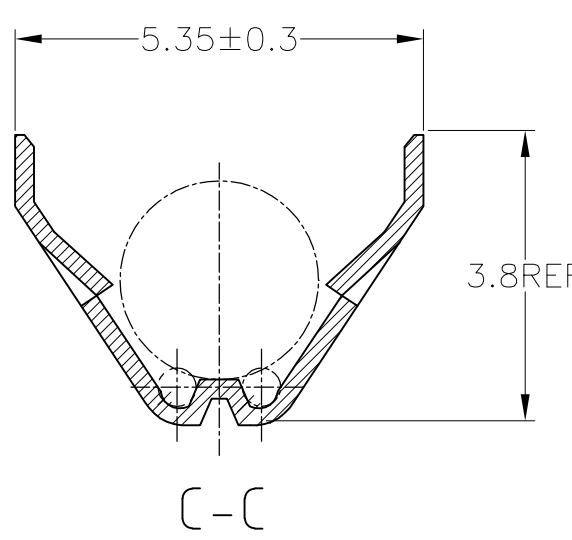
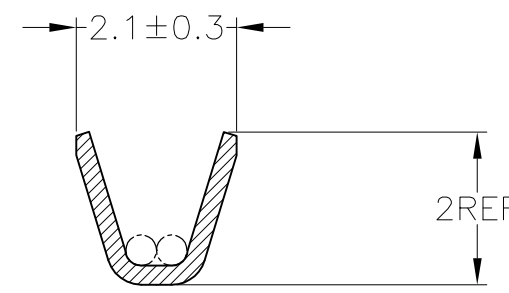
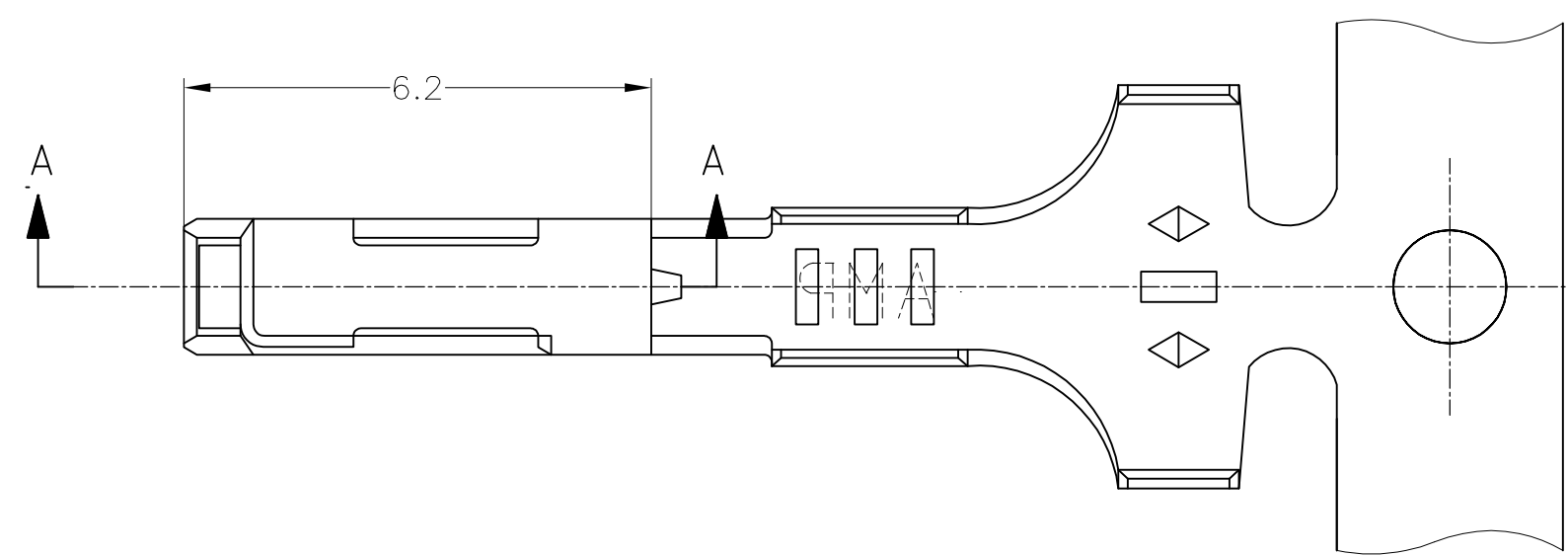


THIS DRAWING IS UNPUBLISHED. RELEASED FOR PUBLICATION
 © COPYRIGHT - By - ALL RIGHTS RESERVED.

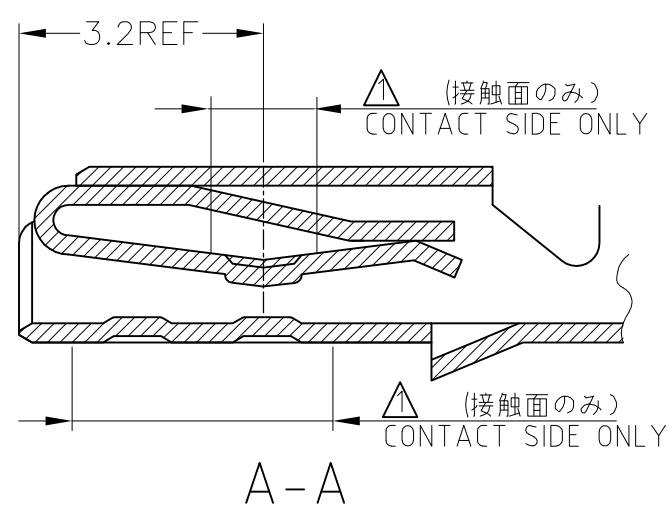
LOC	DIST	REVISIONS					
—	—	P	LTR	DESCRIPTION	DATE	DWN	APVD
		P		REVISED PER ECO-11-005140	28MAR11	RK	HMR



△ SELECTIVE GOLD
 2. APPLICATION SPEC NO. 114-5111

△ 部分金めっき
 2. 取付適用規格番号 114-5111

175061-2	SELECTIVE GOLD 部分金めっき	173716-2
175061-1	PRE-TINNED 錫めっき済	173716-1
LOOSE PIECE NO.	バラ状端子型番	PART NUMBER 製品型番
WIRE RANGE (抱合電線断面積) 0.3~0.5mm ² (AWG#22~20)		INSULATION DIA. (被覆外径) 1.8~2 mmφ



TOLERANCES UNLESS OTHERWISE SPECIFIED: 一般公差

10 ≥	±0.2
30 ≥	> 10 : ±0.25
100 ≥	> 30 : ±0.3
ANGLE	±3°

THIS DRAWING IS A CONTROLLED DOCUMENT.

DIMENSIONS: 単位: 耗 mm	TOLERANCES UNLESS OTHERWISE SPECIFIED: 一般公差
0 PLC ±-	1 PLC ±-
1 PLC ±-	2 PLC ±-
2 PLC ±-	3 PLC ±-
3 PLC ±-	4 PLC ±-
4 PLC ±-	ANGLES ±-
MATERIAL 材料 THICKNESS KLF-5 板厚0.25	FINISH 仕上 SEE TABLE 表参照

DWN M.SUGAWARA 29NOV06	STE TE Connectivity		040 SERIES RECEPTACLE CONTACT		
CHK K.BETSUI 29NOV06					
APVD K.BETSUI 29NOV06	NAME 名称	SIZE A3	CAGE CODE 00779	DRAWING NO. 173716	RESTRICTED TO
PRODUCT SPEC 製品規格	APPLICATION SPEC 取付適用規格	WEIGHT -	SCALE 尺度 10:1		SHEET 1 OF 1
CUSTOMER DRAWING			REV P		

单击下面可查看定价，库存，交付和生命周期等信息

[>>TE Connectivity\(泰科\)](#)