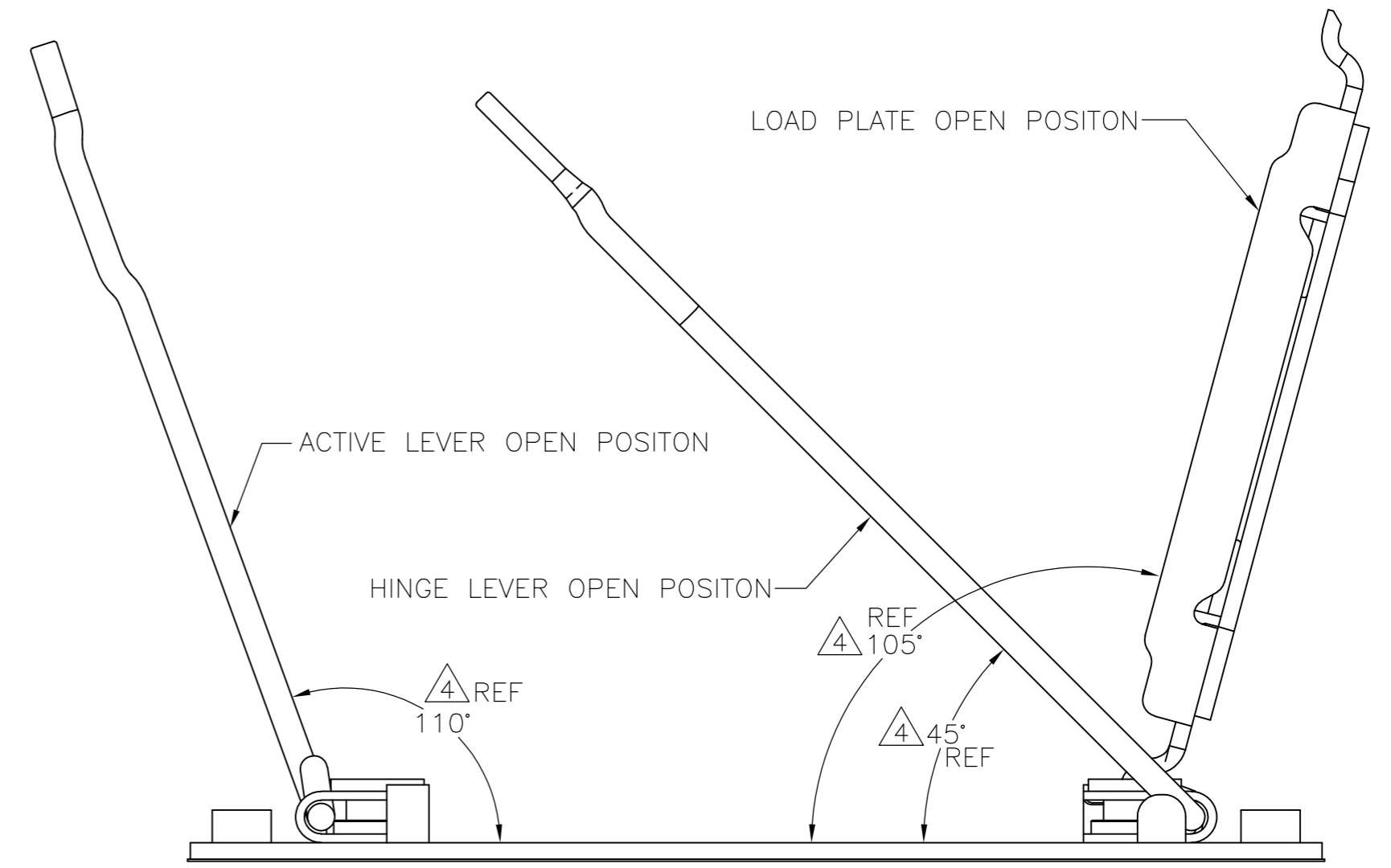
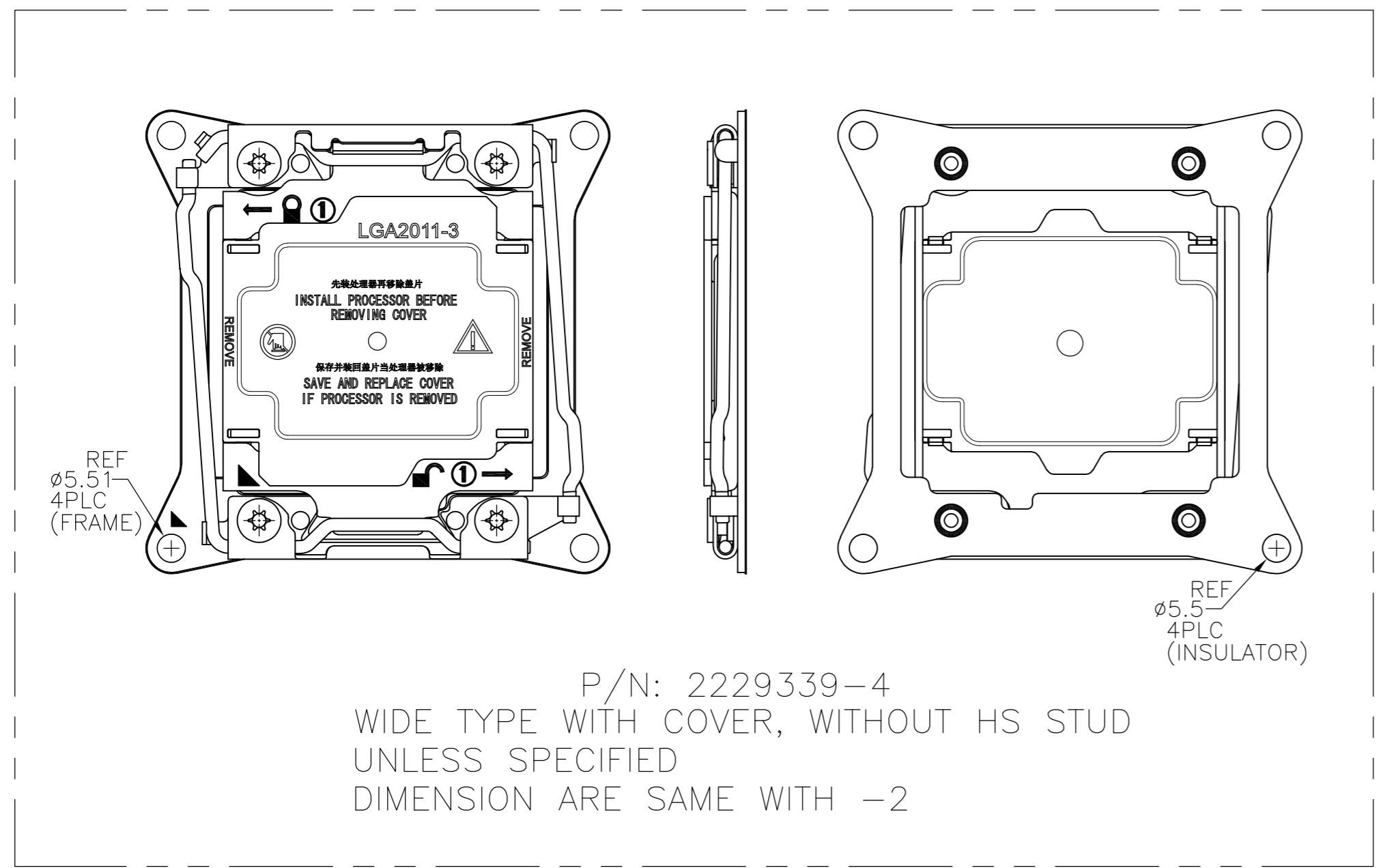
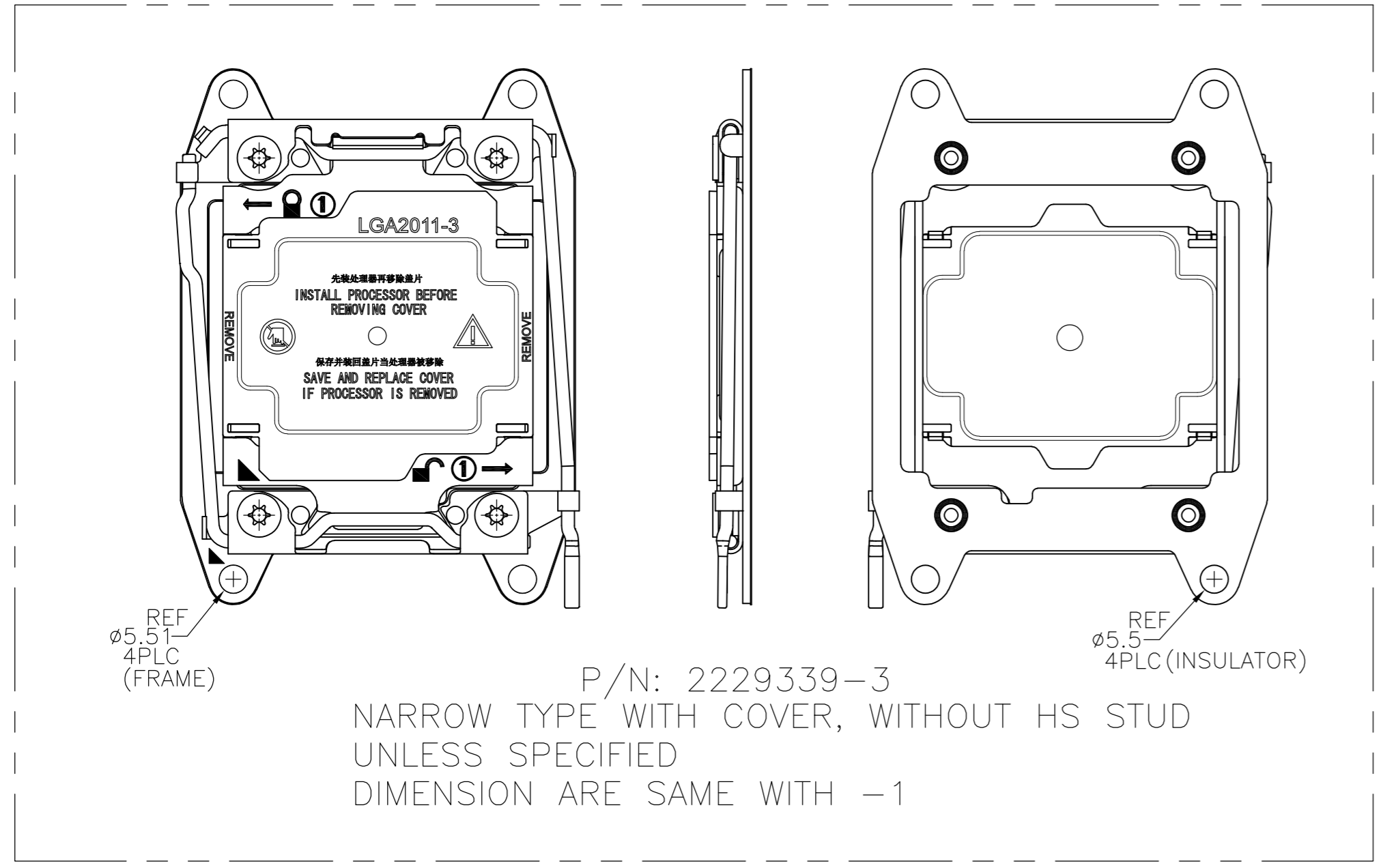


THIS DRAWING IS UNPUBLISHED. RELEASED FOR PUBLICATION APR , 2011.
 © COPYRIGHT 2011 By Tyco Electronics Japan G.K. ALL RIGHTS RESERVED.

LOC		DIST		REVISIONS				
J		-		我	更	DATE	DWN	APVD
P	LTR	DESCRIPTION				DATE	DWN	APVD
-	-	SEE SHEET 1				-	-	-



LEVER AND LOAD PLATE OPEN ANGLES
 THE ACTIVE LEVER MUST OPEN TO A SUFFICIENT
 ANGLE TO ALLOW THE LOAD PLATE TO OPEN FREELY
 (2229339-1,-2,-3,-4,1-2229339-1,1- -2 AS SHOWN)

THIS DRAWING IS A CONTROLLED DOCUMENT.		DWN	-	TE TE Connectivity	
DIMENSIONS: 单位: 毫米 mm		CHK	-		
TOLERANCES UNLESS OTHERWISE SPECIFIED: 一般公差		APVD	-	NAME 名称	
0-PLC ± 0.3		PRODUCT SPEC 製品規格		ILM ASSY	
1-PLC ± 0.3		APPLICATION SPEC 取付適用規格		LGA2011-3	
2-PLC ± 0.3		SIZE	A2	CAGE CODE	00779
3-PLC ± 0.3		DRAWING NO 番号	C=2229339		RESTRICTED TO
4-PLC ± 0.3		WEIGHT	-		-
ANGLES ± 1		CUSTOMER DRAWING		SCALE 尺度	NTS
FINISH 仕上		SHEET 3 of 3		REV A	

单击下面可查看定价，库存，交付和生命周期等信息

[>>TE Connectivity\(泰科\)](#)