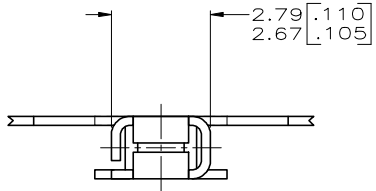
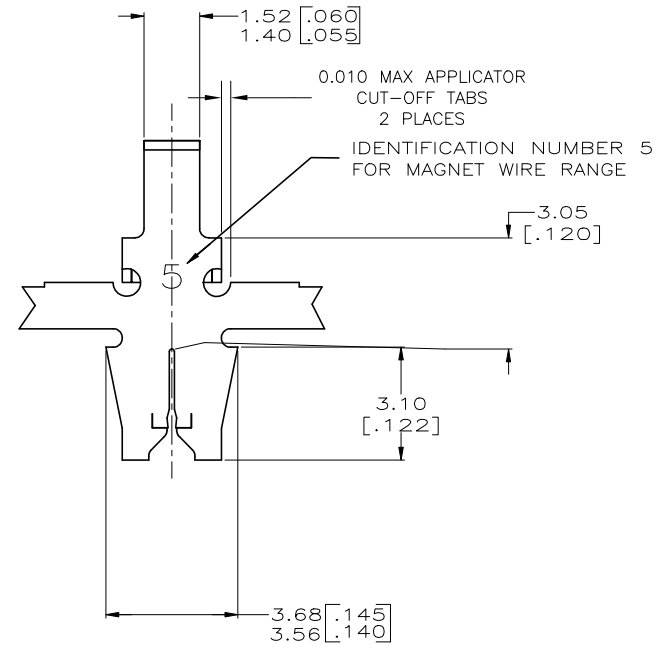
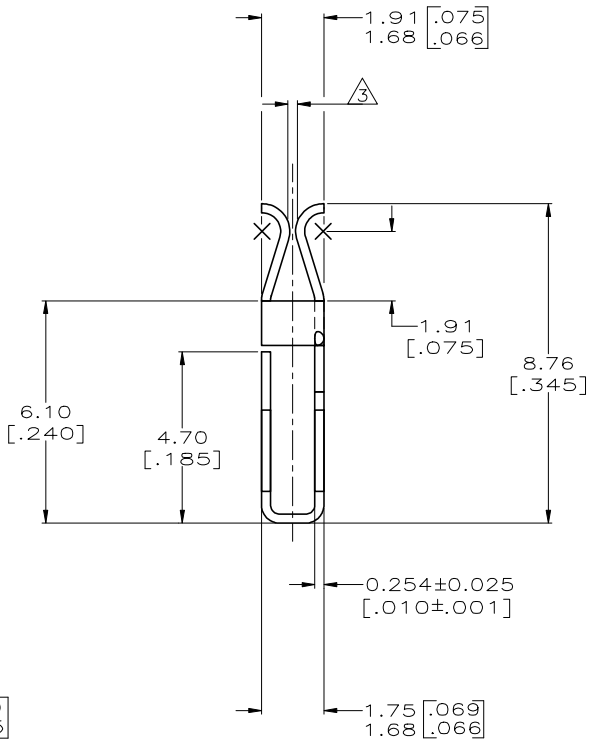
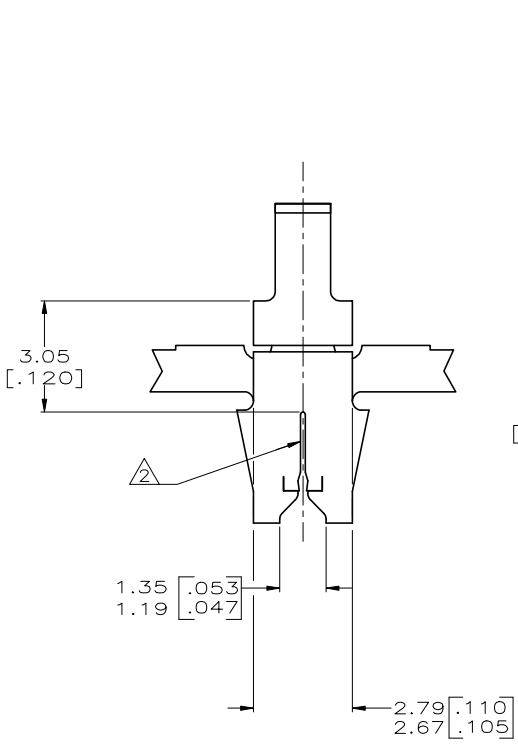


LOC		DIST		REVISIONS			
P	LTR	DESCRIPTION	DATE	DWN	APVD		
AF	50	B1	REVISED PER ECR-19-001235	04FEB2019	BDA	SV	



- 1 CONTINUOUS STRIP ON REELS WITH TERMINALS LOCATED ON 8.38 ± 0.08 $[\ .330 \pm .003]$ CENTERS.
- ② SLOT ACCEPTS EITHER A SINGLE OR DOUBLE MAGNET WIRE OF THE SAME SIZE AND TYPE.
COPPER RANGE: 0.20-0.23mm $[\ #32-\#31]$ AWG.
- ③ FITS A 0.508 ± 0.025 $[\ .020 \pm .001]$ THICK TAB.



1217538-1
PART NUMBER

THIS DRAWING IS A CONTROLLED DOCUMENT.		DWN MICHAEL S. FEHER 13NOV2000	 TE Connectivity
DIMENSIONS: mm[INCHES]		CHK KURT A. RANDOLPH 13NOV2000	
TOLERANCES UNLESS OTHERWISE SPECIFIED: 0 PLC ±- 1 PLC ±- 2 PLC ±0.25[.010] 3 PLC ±- 4 PLC ±- ANGLES ±-		APVD KURT A. RANDOLPH 13NOV2000	PRODUCT SPEC 108-2012 APPLICATION SPEC 97-1039-190
MATERIAL H04 PHOS. BRONZE	FINISH TIN PLATE	SIZE A2	CAGE CODE 00779 DRAWING NO 1217538 RESTRICTED TO - CUSTOMER DRAWING SCALE 10:1 SHEET 1 OF 1 REV B1

单击下面可查看定价，库存，交付和生命周期等信息

[>>TE Connectivity\(泰科\)](#)