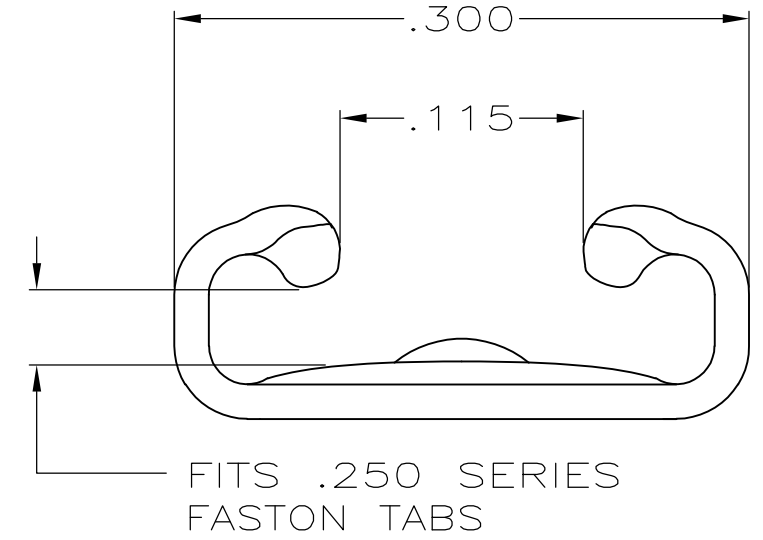
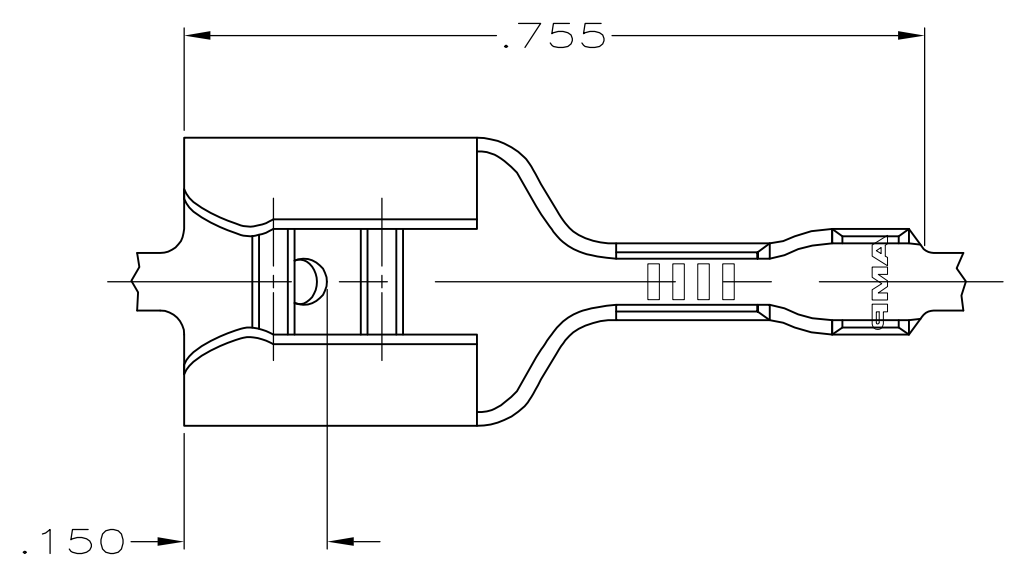


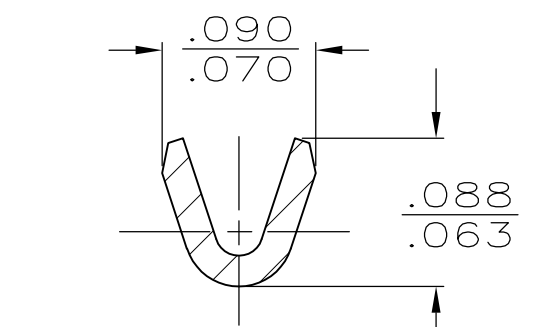
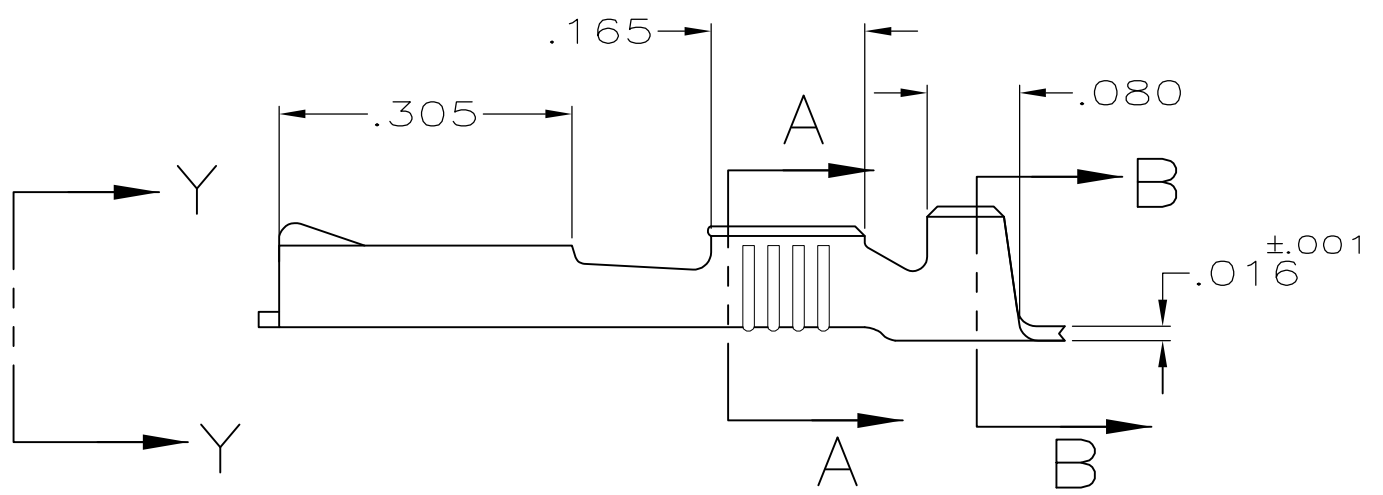
THIS DRAWING IS UNPUBLISHED. RELEASED FOR PUBLICATION  
 © COPYRIGHT - By - ALL RIGHTS RESERVED.

LOC	DIST	REVISIONS			
P	LTR	DESCRIPTION	DATE	DWN	APVD
AF	50				
	E	REVISED PER ECR-12-013459	29NOV2012	KH	PD

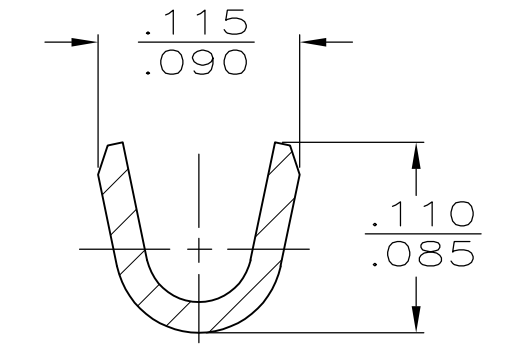
1 CONTINUOUS STRIP ON REELS.



VIEW Y-Y  
SCALE 10:1



SECTION A-A  
SCALE 10:1



SECTION B-B  
SCALE 10:1

TIN	.040-.060 DIA	26-22 AWG	.032	61202-2
				61202-1
FINISH	INSULATION RANGE	WIRE SIZE	MATING TAB THK ±.001	PART NO

THIS DRAWING IS A CONTROLLED DOCUMENT.		DWN JR RUTH 4/18/91	<b>TE Connectivity</b>  RECEPTACLE, FASTON, .250 SERIES											
DIMENSIONS: INCHES		CHK MS FEHER 4/18/91												
TOLERANCES UNLESS OTHERWISE SPECIFIED:		APVD C MEYERS 4/18/91												
<table border="1"> <tr><td>0 PLC</td><td>± -</td></tr> <tr><td>1 PLC</td><td>± -</td></tr> <tr><td>2 PLC</td><td>± -</td></tr> <tr><td>3 PLC</td><td>± .015</td></tr> <tr><td>4 PLC</td><td>± -</td></tr> <tr><td>ANGLES</td><td>± -</td></tr> </table>		0 PLC				± -	1 PLC	± -	2 PLC	± -	3 PLC	± .015	4 PLC	± -
0 PLC	± -													
1 PLC	± -													
2 PLC	± -													
3 PLC	± .015													
4 PLC	± -													
ANGLES	± -													
MATERIAL BRASS	FINISH SEE TABLE	PRODUCT SPEC -	APPLICATION SPEC -	SIZE A3	CAGE CODE 00779	DRAWING NO C-61202	RESTRICTED TO -							
CUSTOMER DRAWING			SCALE 5:1	SHEET 1 OF 1	REV E									

单击下面可查看定价，库存，交付和生命周期等信息

[>>TE Connectivity\(泰科\)](#)