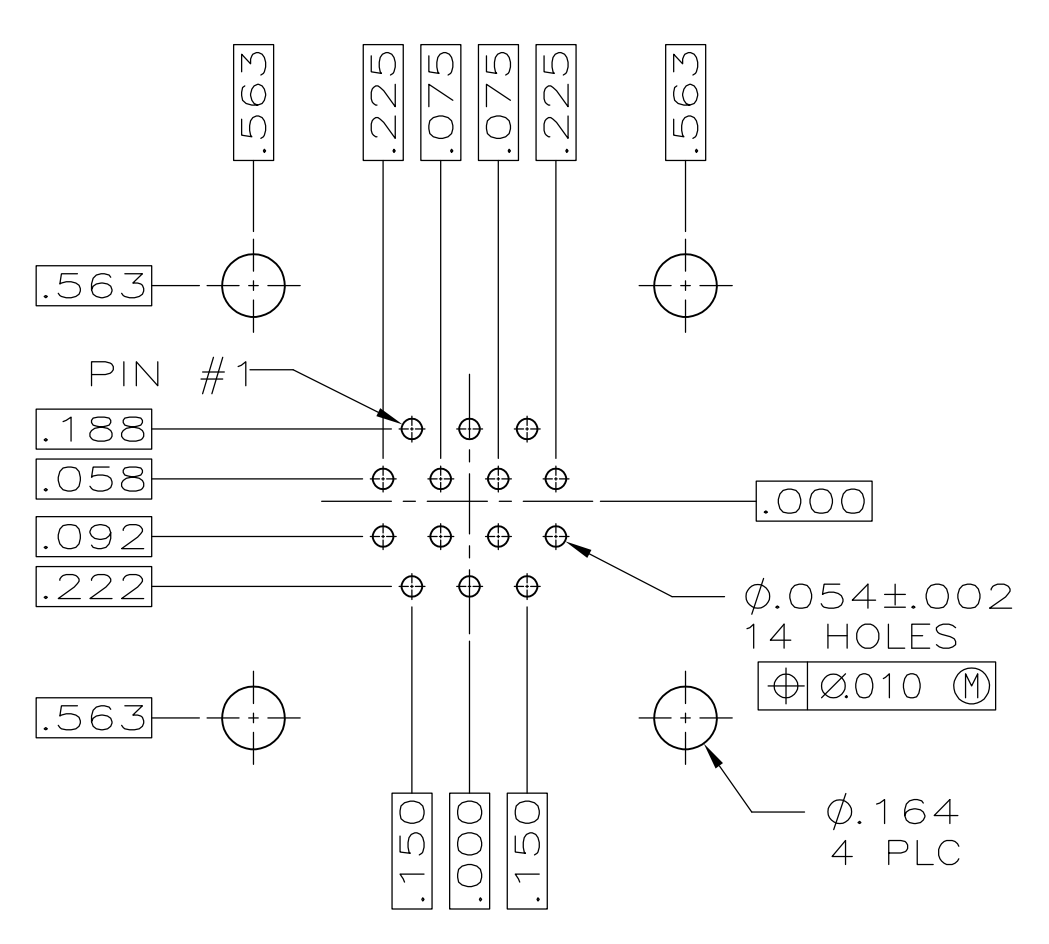
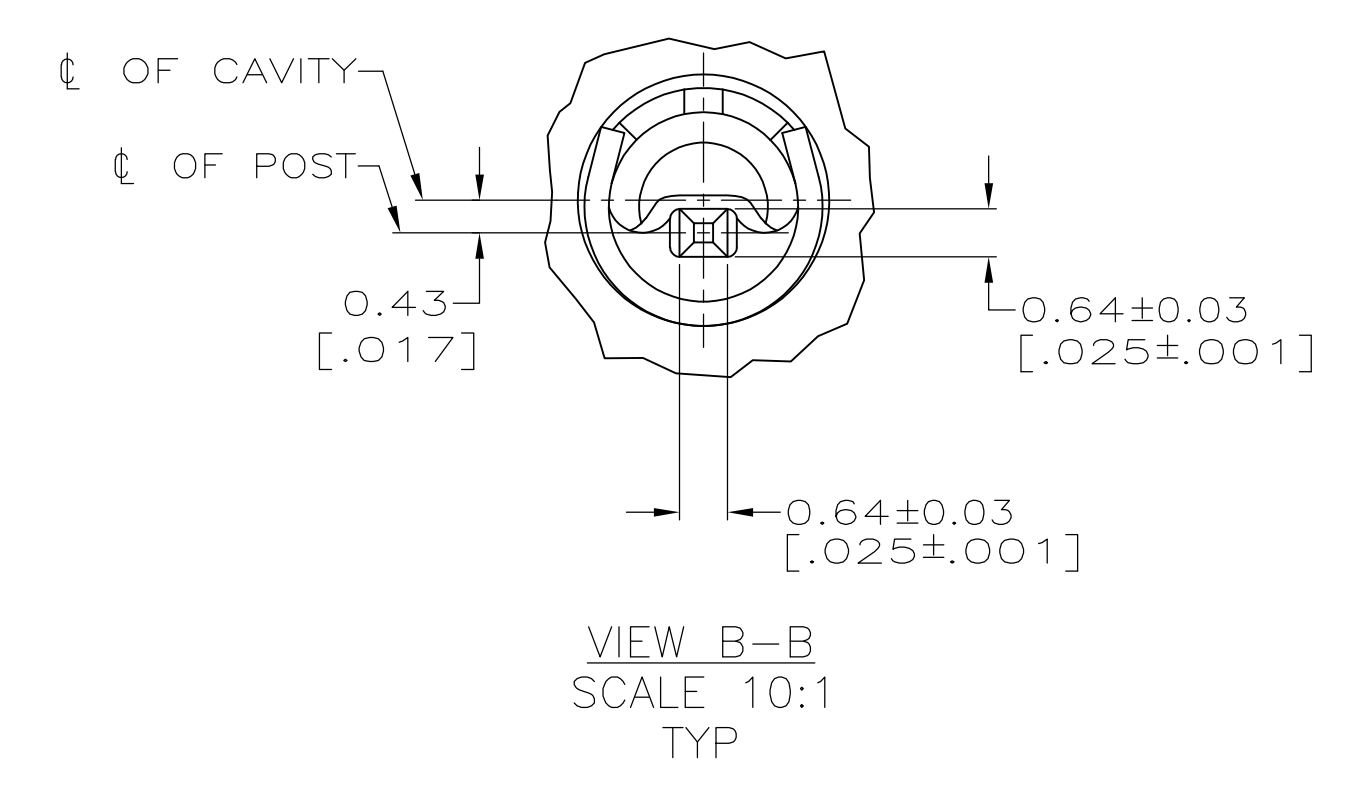
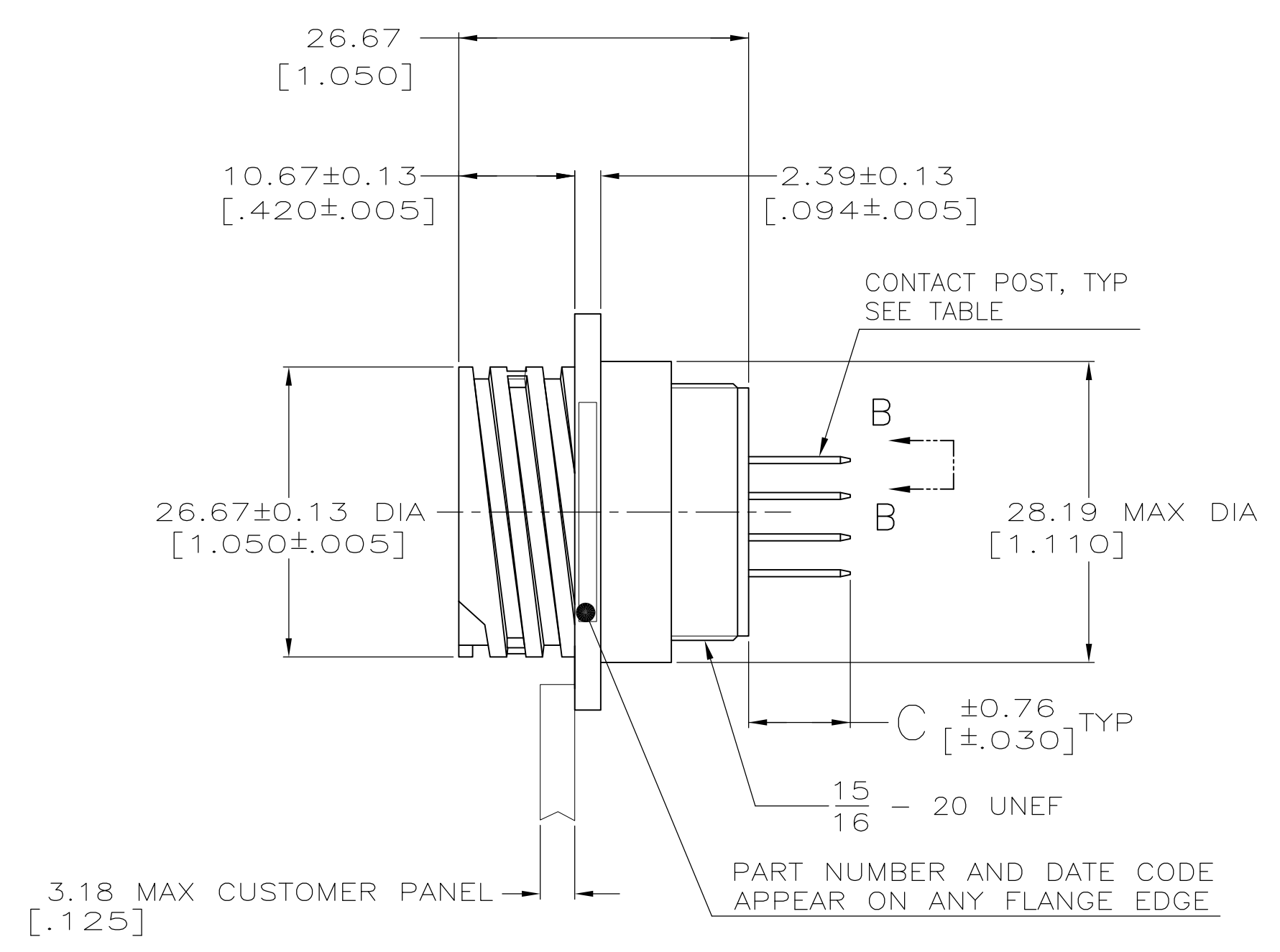
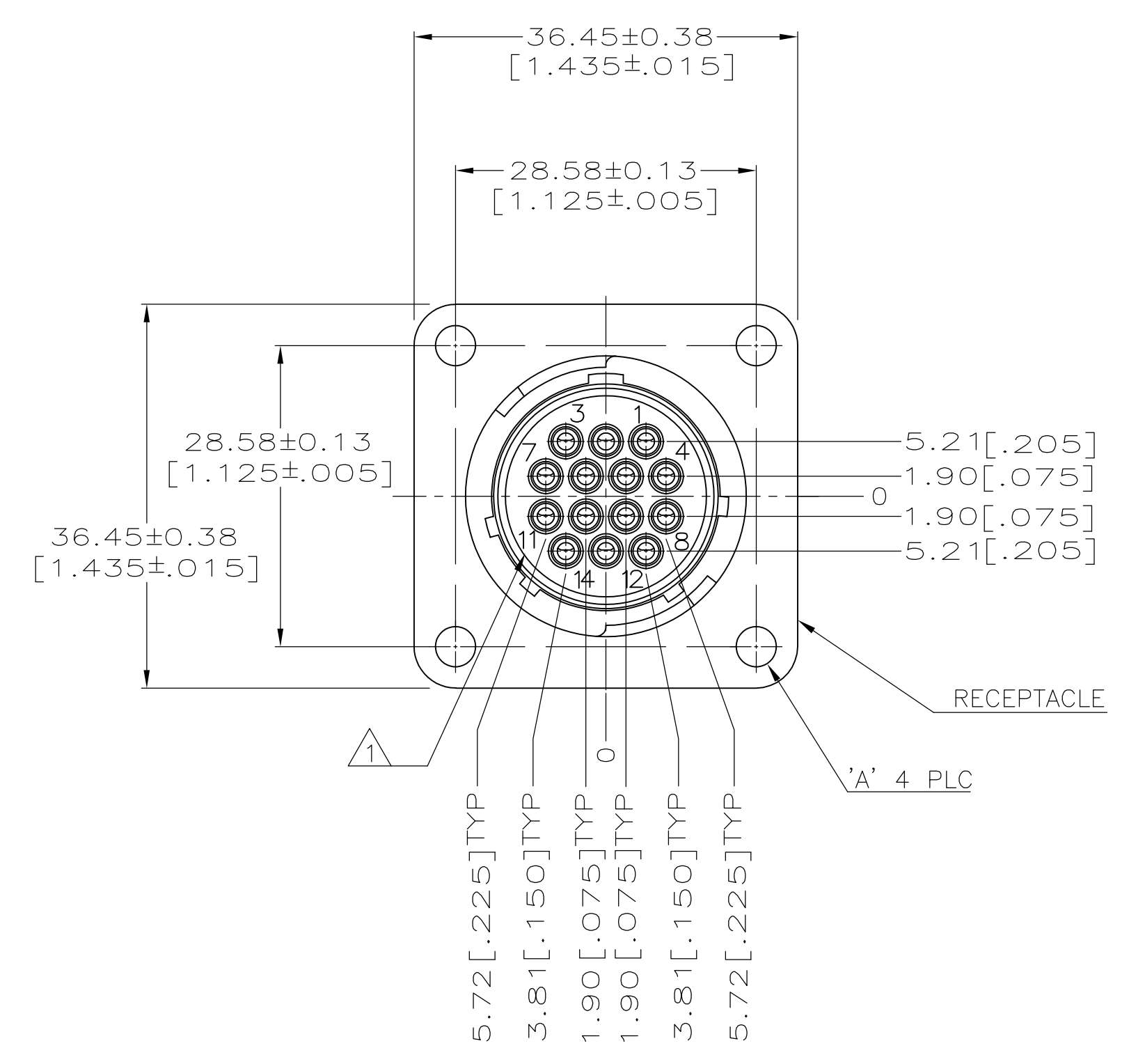
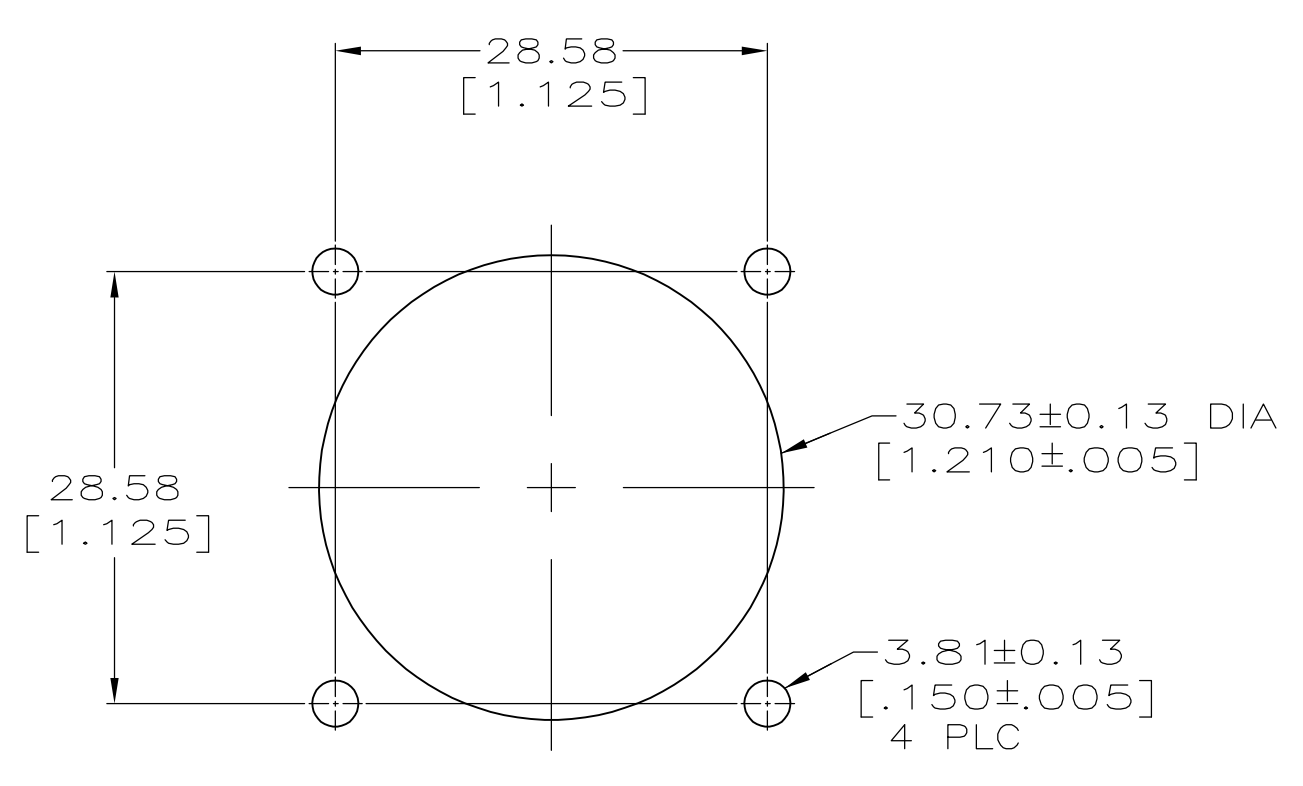


REVISIONS					
P	LTR	DESCRIPTION	DATE	DMN	APVD
G3		REVISED PER ECO-14-013067	27AUG2014	NK	MZ
H		REVISED PER ECO-17-004657	05APR2017	RS	MZ



RECOMMENDED P.C. BOARD LAYOUT



RECOMMENDED PANEL CUTOUT

- 1 CAVITY IDENTIFICATION CHARACTERS ON FRONT AND REAR FACE.
- 2 NYLON, UL 94V-0 RATED, BLACK.
- 3 CONTACT BODY: 0.76um[.000030] MIN GOLD FOR LENGTH OF 5.08[.200] MIN FROM MATING END, WITH REMAINDER TO BE GOLD FLASH, BOTH OVER 1.27um[.000050] MIN NICKEL. CONTACT POST: 2.54um[.000100] MIN TIN-LEAD OVER 2.54um[.000100] MIN COPPER.
- 4 CONTACT BODY: 2.54um[.000100] MIN TIN-LEAD OVER 1.27um[.000050] MIN NICKEL. CONTACT POST: 2.54um[.000100] MIN TIN-LEAD OVER 2.54um[.000100] MIN COPPER.
- 5 CONTACT BODY: 0.76um[.000030] MIN GOLD FOR LENGTH OF 5.08[.200] MIN FROM MATING END, WITH REMAINDER TO BE GOLD FLASH, BOTH OVER 1.27um[.000050] MIN NICKEL. CONTACT POST: 2.54um[.000100] MIN TIN OVER 2.54um[.000100] MIN COPPER.
- 6 CONTACT BODY: 2.54um[.000100] MIN TIN OVER 1.27um[.000050] MIN NICKEL. CONTACT POST: 2.54um[.000100] MIN TIN OVER 2.54um[.000100] MIN COPPER.
- 7 PRELIMINARY PART NUMBER.
- 8 OBSOLETE PARTS: OBSOLETE CIS STREAMLINING PER D.RENAUD/D.SINISI

7	OBSOLETE	11.35[.447]	4-40 UNC, INSERT, BRASS	5	1-213729-1
		14.22[.560]	4-40 UNC, INSERT, BRASS	5	1-213729-0
		9.35[.368]	3.81±0.08[.150±.003] DIA	5	213729-9
8	OBSOLETE	4.04[.159]	4-40UNC, INSERT, BRASS	6	213729-8
8	OBSOLETE	9.35[.368]	3.81±0.08[.150±.003] DIA	6	213729-7
		9.35[.368]	4-40UNC, INSERT, BRASS	5	213729-6
7	OBSOLETE	4.04[.159]	3.81±0.08[.150±.003] DIA	4	213729-5
8	OBSOLETE	4.04[.159]	4-40UNC, INSERT, BRASS	4	213729-4
8	OBSOLETE	9.35[.368]	3.81±0.08[.150±.003] DIA	4	213729-3
		9.35[.368]	4-40UNC, INSERT, BRASS	3	213729-2
		9.35[.368]	3.81±0.08[.150±.003] DIA	3	213729-1
		C	A	CONTACT FINISH	PART NUMBER

THIS DRAWING IS A CONTROLLED DOCUMENT. DIN W.G.LENKER 12-3-91 R.STONE 12-11-91

TE Connectivity

RECEPTACLE ASSEMBLY, POSTED, SERIES 1, REVERSE SEX, CPC

PRODUCT SPEC 108-10024
 APPLICATION SPEC 114-10004

SIZE CAGE CODE DRAWING NO RESTRICTED TO
 A1 00779 213729

MATERIAL RECEPTACLE: 2 CONTACT: BRASS FINISH - WEIGHT -

CUSTOMER DRAWING SCALE 2:1 SHEET 1 OF 1 REV H

单击下面可查看定价，库存，交付和生命周期等信息

[>>TE Connectivity\(泰科\)](#)