

4

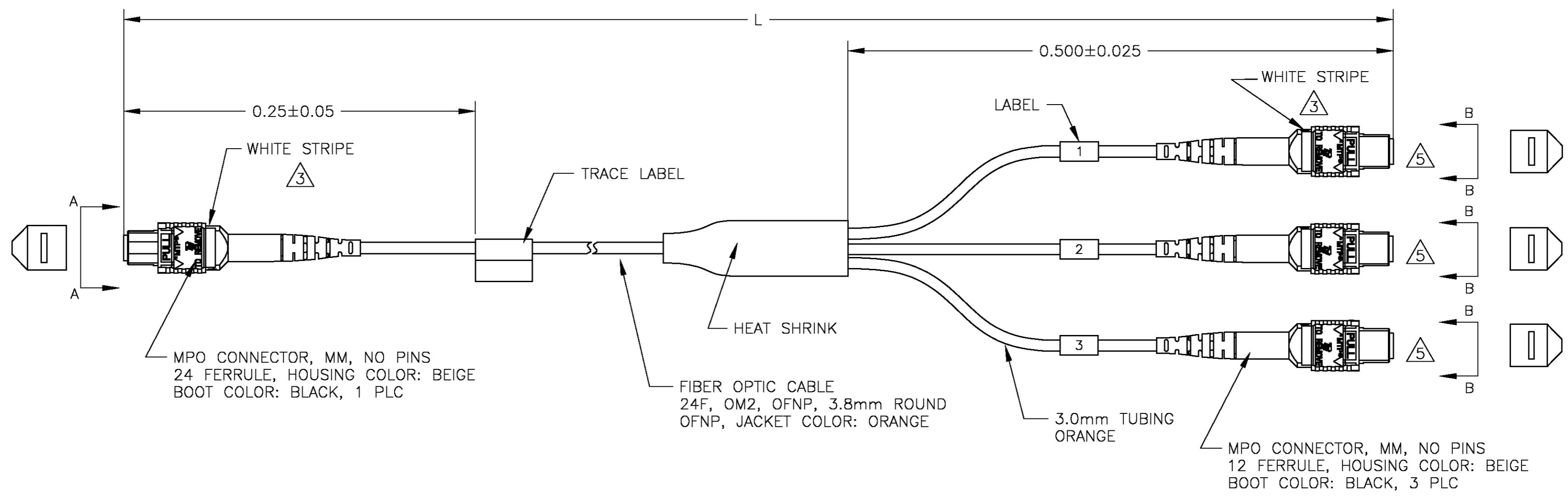
3

2

1

THIS DRAWING IS UNPUBLISHED. RELEASED FOR PUBLICATION
 © COPYRIGHT - By - ALL RIGHTS RESERVED.

| | | | | | | | |
|-----|------|----------|-----|---------------|-----------|-----|------|
| LOC | DIST | REVISONS | | | | | |
| HG | 17 | P | LTR | DESCRIPTION | DATE | DWN | APVD |
| | | B | | ECR-11-018695 | 09SEP2011 | ZJQ | RZ |



MPO CONNECTOR, MM, NO PINS
 24 FERRULE, HOUSING COLOR: BEIGE
 BOOT COLOR: BLACK, 1 PLC

FIBER OPTIC CABLE
 24F, OM2, OFNP, 3.8mm ROUND
 OFNP, JACKET COLOR: ORANGE

MPO CONNECTOR, MM, NO PINS
 12 FERRULE, HOUSING COLOR: BEIGE
 BOOT COLOR: BLACK, 3 PLC

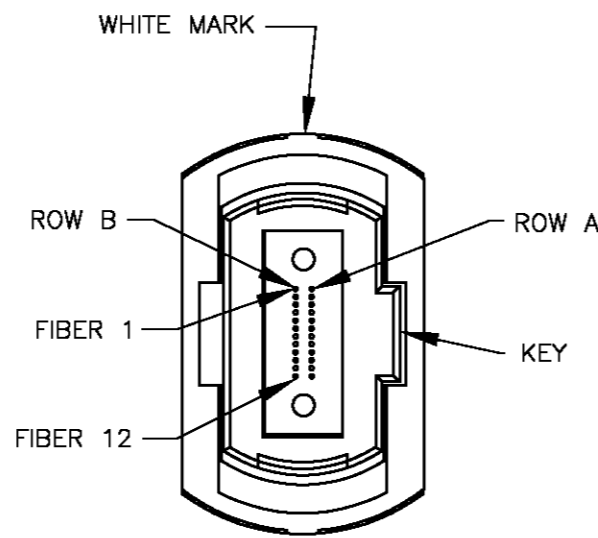
| | | | | |
|--|--|------------------|-----------|---|
| THIS DRAWING IS A CONTROLLED DOCUMENT. | | DWN | 29AUG2011 | STE TE Connectivity |
| | | CHK | 29AUG2011 | |
| DIMENSIONS: | | APVD | | NAME |
| METERS | | 29AUG2011 | | |
| TOLERANCES UNLESS OTHERWISE SPECIFIED: | | RICHARD ZHAO | | CABLE ASSEMBLY, CXP MPO - (3) QSFP MPO 24F OM2 3.8mm ROUND CABLE |
| 0 PLC ± - | | PRODUCT SPEC | | |
| 1 PLC ± - | | APPLICATION SPEC | | SIZE |
| 2 PLC ± - | | WEIGHT | | CAGE CODE |
| 3 PLC ± - | | CUSTOMER DRAWING | | DRAWING NO |
| 4 PLC ± - | | SCALE | | RESTRICTED TO |
| ANGLES ± - | | NTS | | A2 00779 |
| FINISH | | SHEET | | 2148042 |
| | | 1 OF 2 | | REV |
| | | B | | |

2148042

THIS DRAWING IS UNPUBLISHED. RELEASED FOR PUBLICATION
 © COPYRIGHT - By - ALL RIGHTS RESERVED.

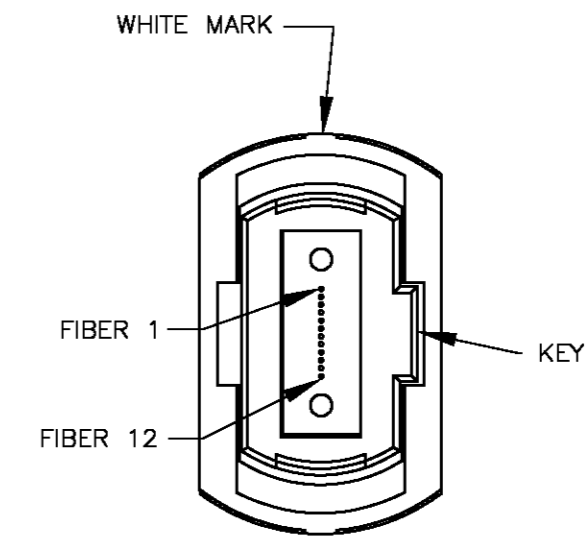
| LOC | | DIST | | REVISIONS | | | |
|-----|-----|-------------|------|-----------|------|--|--|
| P | LTR | DESCRIPTION | DATE | DWN | APVD | | |
| HG | 17 | SEE SHEET 1 | - | - | - | | |

| PART NUMBER | L | | MPO MAX IL (dB) ¹ |
|-------------|---------|--------|------------------------------|
| | MAX | MIN | |
| 2148042-1 | 1.050 | 0.950 | 1.00 |
| 2148042-2 | 2.050 | 1.950 | 1.00 |
| 2148042-3 | 3.050 | 2.950 | 1.00 |
| 2148042-4 | 4.080 | 3.920 | 1.01 |
| 2148042-5 | 5.080 | 4.920 | 1.01 |
| 2148042-6 | 6.080 | 5.920 | 1.01 |
| 2148042-7 | 7.080 | 6.920 | 1.01 |
| 2148042-8 | 8.080 | 7.920 | 1.01 |
| 2148042-9 | 9.150 | 8.850 | 1.01 |
| 1-2148042-0 | 10.150 | 9.850 | 1.02 |
| 1-2148042-1 | 11.150 | 10.850 | 1.02 |
| 1-2148042-2 | 12.150 | 11.850 | 1.02 |
| 1-2148042-3 | 13.150 | 12.850 | 1.02 |
| 1-2148042-4 | 14.150 | 13.850 | 1.02 |
| 1-2148042-5 | 15.150 | 14.850 | 1.02 |
| 1-2148042-6 | 16.160 | 15.840 | 1.02 |
| 1-2148042-7 | 17.170 | 16.830 | 1.03 |
| 1-2148042-8 | 18.180 | 17.820 | 1.03 |
| 1-2148042-9 | 19.190 | 18.810 | 1.03 |
| 2-2148042-0 | 20.200 | 19.800 | 1.03 |
| 2-2148042-1 | 21.210 | 20.790 | 1.03 |
| 2-2148042-2 | 22.220 | 21.780 | 1.03 |
| 2-2148042-3 | 23.230 | 22.770 | 1.03 |
| 2-2148042-4 | 24.240 | 23.760 | 1.04 |
| 2-2148042-5 | 25.250 | 24.750 | 1.04 |
| 2-2148042-6 | 26.260 | 25.740 | 1.04 |
| 2-2148042-7 | 27.270 | 26.730 | 1.04 |
| 2-2148042-8 | 28.280 | 27.720 | 1.04 |
| 2-2148042-9 | 29.290 | 28.710 | 1.04 |
| 3-2148042-0 | 30.300 | 29.700 | 1.05 |
| 3-2148042-1 | 31.310 | 30.690 | 1.05 |
| 3-2148042-2 | 32.320 | 31.680 | 1.05 |
| 3-2148042-3 | 33.330 | 32.670 | 1.05 |
| 3-2148042-4 | 34.340 | 33.660 | 1.05 |
| 3-2148042-5 | 35.350 | 34.650 | 1.05 |
| 3-2148042-6 | 36.360 | 35.640 | 1.05 |
| 3-2148042-7 | 37.370 | 36.630 | 1.06 |
| 3-2148042-8 | 38.380 | 37.620 | 1.06 |
| 3-2148042-9 | 39.390 | 38.610 | 1.06 |
| 4-2148042-0 | 40.400 | 39.600 | 1.06 |
| 4-2148042-1 | 41.410 | 40.590 | 1.06 |
| 4-2148042-2 | 42.420 | 41.580 | 1.06 |
| 4-2148042-3 | 43.430 | 42.570 | 1.06 |
| 4-2148042-4 | 44.440 | 43.560 | 1.07 |
| 4-2148042-5 | 45.450 | 44.550 | 1.07 |
| 4-2148042-6 | 46.460 | 45.540 | 1.07 |
| 4-2148042-7 | 47.470 | 46.530 | 1.07 |
| 4-2148042-8 | 48.480 | 47.520 | 1.07 |
| 4-2148042-9 | 49.490 | 48.510 | 1.07 |
| 5-2148042-0 | 50.500 | 49.500 | 1.08 |
| 5-2148042-5 | 55.550 | 54.450 | 1.08 |
| 6-2148042-0 | 60.600 | 59.400 | 1.09 |
| 6-2148042-5 | 65.650 | 64.350 | 1.10 |
| 7-2148042-0 | 70.700 | 69.300 | 1.11 |
| 7-2148042-5 | 75.750 | 74.250 | 1.11 |
| 8-2148042-0 | 80.800 | 79.200 | 1.12 |
| 8-2148042-5 | 86.000 | 84.000 | 1.13 |
| 9-2148042-0 | 91.350 | 88.650 | 1.14 |
| 9-2148042-5 | 96.425 | 94.575 | 1.14 |
| 9-2148042-9 | 101.500 | 98.500 | 1.15 |



VIEW A-A
NOT TO SCALE

| 24F MPO | | FIBER COLOR | 12F MPO ⁵ | |
|---------|-------|-------------|----------------------|-------|
| ROW | FIBER | | | |
| A | 1 | BLUE | 12 | MPO 1 |
| A | 2 | ORANGE | 11 | |
| A | 3 | GREEN | 10 | |
| A | 4 | BROWN | 9 | |
| B | 1 | BLUE | 1 | MPO 2 |
| B | 2 | ORANGE | 2 | |
| B | 3 | GREEN | 3 | |
| B | 4 | BROWN | 4 | |
| A | 5 | SLATE | 12 | MPO 3 |
| A | 6 | WHITE | 11 | |
| A | 7 | RED | 10 | |
| A | 8 | BLACK | 9 | |
| B | 5 | SLATE | 1 | |
| B | 6 | WHITE | 2 | |
| B | 7 | RED | 3 | |
| B | 8 | BLACK | 4 | |
| A | 9 | YELLOW | 12 | |
| A | 10 | VIOLET | 11 | |
| A | 11 | ROSE | 10 | |
| A | 12 | AQUA | 9 | |
| B | 9 | YELLOW | 1 | |
| B | 10 | VIOLET | 2 | |
| B | 11 | ROSE | 3 | |
| B | 12 | AQUA | 4 | |



VIEW B-B
NOT TO SCALE

MPO CONNECTOR FIBER PATH

- ¹ SEE TABLE FOR MPO IL @ 1300nm
- 2. PLACE A COPY OF TEST DATA INSIDE OR WITH THE UNIT PACKAGE.
- ³ WHITE MARK ON CONNECTOR HOUSING INDICATES FIBER 1 SIDE.
- 4. PRODUCT AND PROCESSING MUST MEET REQUIREMENTS OF TE CONNECTIVITY STANDARD TEC-138-702.
- ⁵ KEEP FIBER #5-#8 NULL IN 12F MPO CONNECTOR.

| | | | | | | | | | | | | | | | | | | | | | | |
|--|---|------------------------------------|---|-------------------------|-------|---|---|-------|---|---|-------|---|---|-------|---|---|--------|---|---|-------------------|------------|--------------------|
| THIS DRAWING IS A CONTROLLED DOCUMENT. | | DWN ZHANG JINQIANG 29AUG2011 | | | | | | | | | | | | | | | | | | | | |
| DIMENSIONS: METERS | | CHK PHILIP LIU 29AUG2011 | | | | | | | | | | | | | | | | | | | | |
| TOLERANCES UNLESS OTHERWISE SPECIFIED: | | APVD RICHARD ZHAO 29AUG2011 | NAME CABLE ASSEMBLY, CXP MPO - (3) QSFP MPO 24F OM2 3.8mm ROUND CABLE | | | | | | | | | | | | | | | | | | | |
| <table border="1"> <tr><td>0 PLC</td><td>±</td><td>-</td></tr> <tr><td>1 PLC</td><td>±</td><td>-</td></tr> <tr><td>2 PLC</td><td>±</td><td>-</td></tr> <tr><td>3 PLC</td><td>±</td><td>-</td></tr> <tr><td>4 PLC</td><td>±</td><td>-</td></tr> <tr><td>ANGLES</td><td>±</td><td>-</td></tr> </table> | | 0 PLC | ± | - | 1 PLC | ± | - | 2 PLC | ± | - | 3 PLC | ± | - | 4 PLC | ± | - | ANGLES | ± | - | PRODUCT SPEC - | SIZE A2 | CAGE CODE 00779 |
| 0 PLC | ± | - | | | | | | | | | | | | | | | | | | | | |
| 1 PLC | ± | - | | | | | | | | | | | | | | | | | | | | |
| 2 PLC | ± | - | | | | | | | | | | | | | | | | | | | | |
| 3 PLC | ± | - | | | | | | | | | | | | | | | | | | | | |
| 4 PLC | ± | - | | | | | | | | | | | | | | | | | | | | |
| ANGLES | ± | - | | | | | | | | | | | | | | | | | | | | |
| MATERIAL - | | FINISH - | WEIGHT - | DRAWING NO C-2148042 | | | | | | | | | | | | | | | | | | |
| CUSTOMER DRAWING | | | SCALE NTS | SHEET 2 OF 2 | | | | | | | | | | | | | | | | | | |

单击下面可查看定价，库存，交付和生命周期等信息

[>>TE Connectivity\(泰科\)](#)