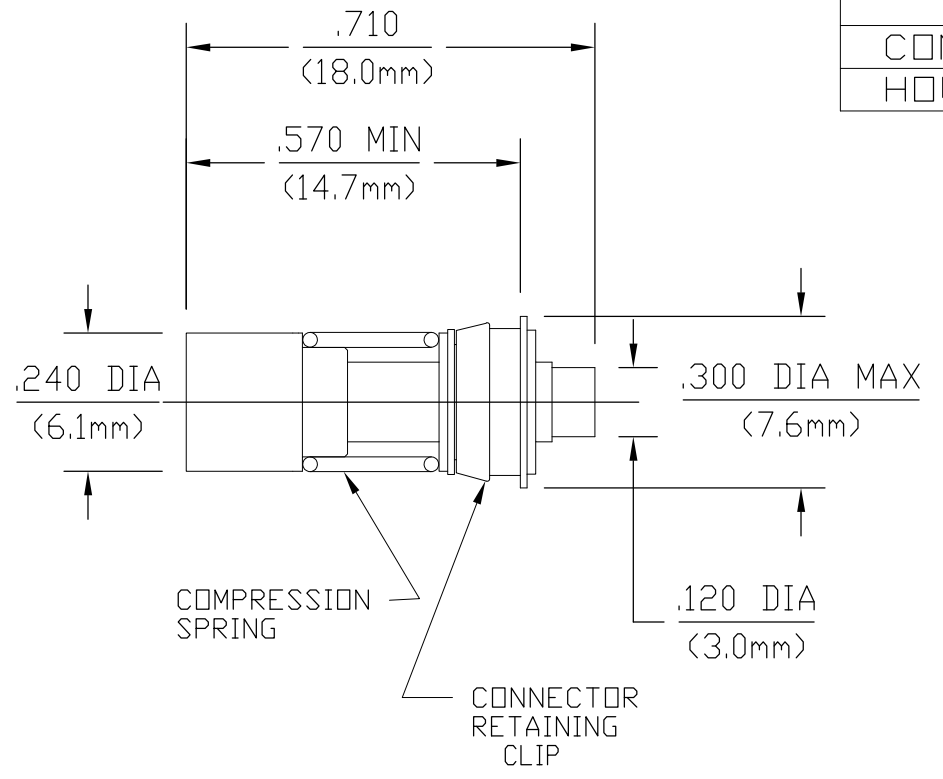
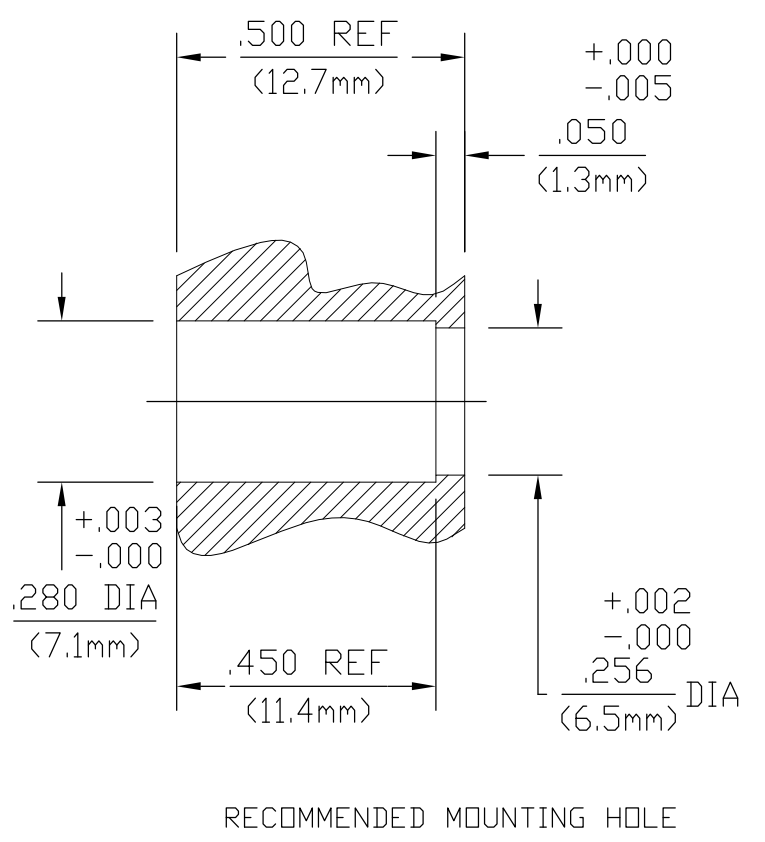


THIS DRAWING IS UNPUBLISHED. RELEASED FOR PUBLICATION
 © COPYRIGHT BY TYCO ELECTRONICS CORPORATION. ALL INTERNATIONAL RIGHTS RESERVED.

LOC		DIST		REVISIONS			
P	LTR	DESCRIPTION	DATE	DWN	APVD		
AJ	00	B	REVISED PER ECO-10-021639	27OCT2010	KF	JO	



DESIGNED FOR USE WITH .085 S/R CABLE	
CABLE ENTRY DIAMETER MINIMUM	
CONTACT	.021
HOUSING	.091

- 1 STAINLESS STEEL.
- 2 BERYLLIUM COPPER.
- 3 PTFE.
- 4 GOLD PLATE OVER NICKEL PLATE.
- 5 GOLD PLATE OVER COPPER PLATE.
- 6 GOLD PLATE.
- 7 PASSIVATE.

ELECTRICAL	MECHANICAL	ENVIRONMENTAL
NOMINAL IMPEDANCE (OHMS) <u>50 ±1</u>	Mating Characteristics: Insertion (MAX Lbs) <u>3</u> Withdrawal (MIN Oz) <u>0.5</u> Force to Engage (In-Lbs MAX) <u>3</u> & Disengage (In-Lbs MAX) <u>1.5</u> Center Contact Captivation Axial (Lbs) <u>4</u> Cable Retention Axial Force (Lbs MIN) <u>30</u> Torque (In-Oz MIN) <u>16</u>	TEMPERATURE RATING <u>-65° TO +105°C</u>
Frequency Range (GHz) DC to <u>.28</u>		Vibration MIL-STD-202, Method 204, Condition D
Volt Rating (VRMS MAX) @ Sea Level <u>335</u>		Shock MIL-STD-202, Method 213, Condition D
VSWR <u>1.05+0.01f(GHz)</u>		Thermal Shock MIL-STD-202, Method 107, Condition B
Insertion Loss (dB MAX) <u>.04x √f(GHz)</u>		Moisture Resistance MIL-STD-202, Method 101, Cond B
RF Leakage (dB MIN) (Interface Only, Fully Mated) <u>-(90-f(GHz))</u>		
Corona, 70,000 Ft (VRMS MIN) <u>250</u>		
Dielectric Withstanding Voltage (VRMS MIN) @ Sea Level <u>675</u>		
Contact Resistance (Milliohms MAX) Center Contact <u>6.0</u> Outer Contact <u>3.0</u> Cable to Housing <u>0.5</u>		
RF High Potential @ Sea Level (VRMS MIN @ 5 MHz) <u>675</u>		
I.R.(Megohms MIN) <u>5000</u>		

4 2	4 2	3	7 1	6 2	7 1	4 1	7 1	7 1	5 2	1059874-1
CONTACT SLEEVE	CENTER CONTACT	DIELECTRIC	WASHER	RETAINING CLIP	RETAINING RING	HOUSING	BUSHING	SPRING	CONTACT RING	PART NUMBER

THIS DRAWING IS A CONTROLLED DOCUMENT.

DWN: B.M.EDWARDS 4/19/91
 CHK: -
 APVD: G.D.D 9/22/92

Tyco Electronics Corporation
 Harrisburg, PA 17105-3608

NAME: OSSP FLOATING PANEL FEEDTHRU REAR MOUNT CABLE JACK DIRECT SOLDER ATTACHMENT

APPLICATION SPEC: 408-4657

SIZE: A2 CAGE CODE: 00779 DRAWING NO: 1059874

WEIGHT: -

MATERIAL: SEE TABLE FINISH: SEE TABLE

CUSTOMER DRAWING

SCALE: 3:1 SHEET: 1 of 1 REV: B

单击下面可查看定价，库存，交付和生命周期等信息

[>>TE Connectivity\(泰科\)](#)