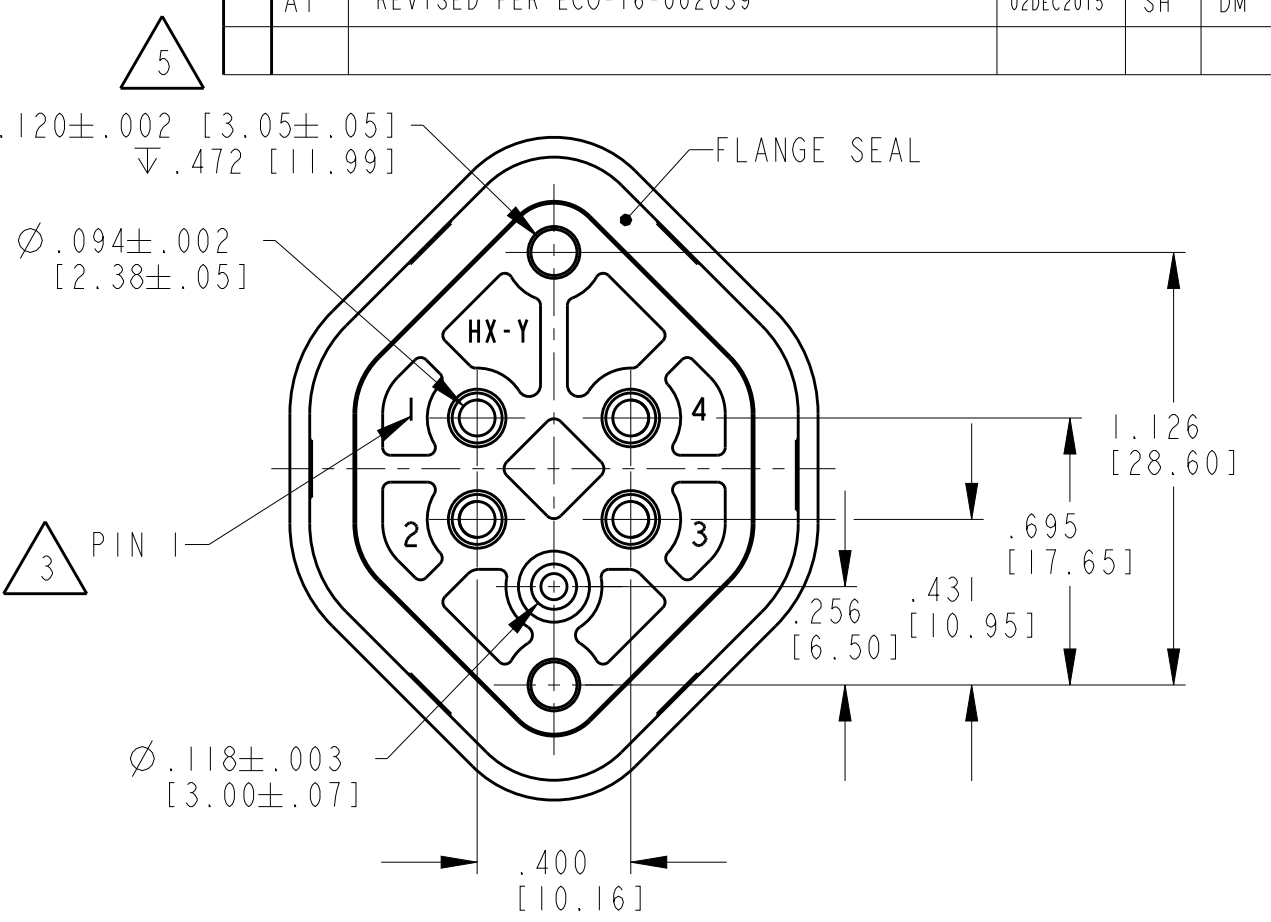
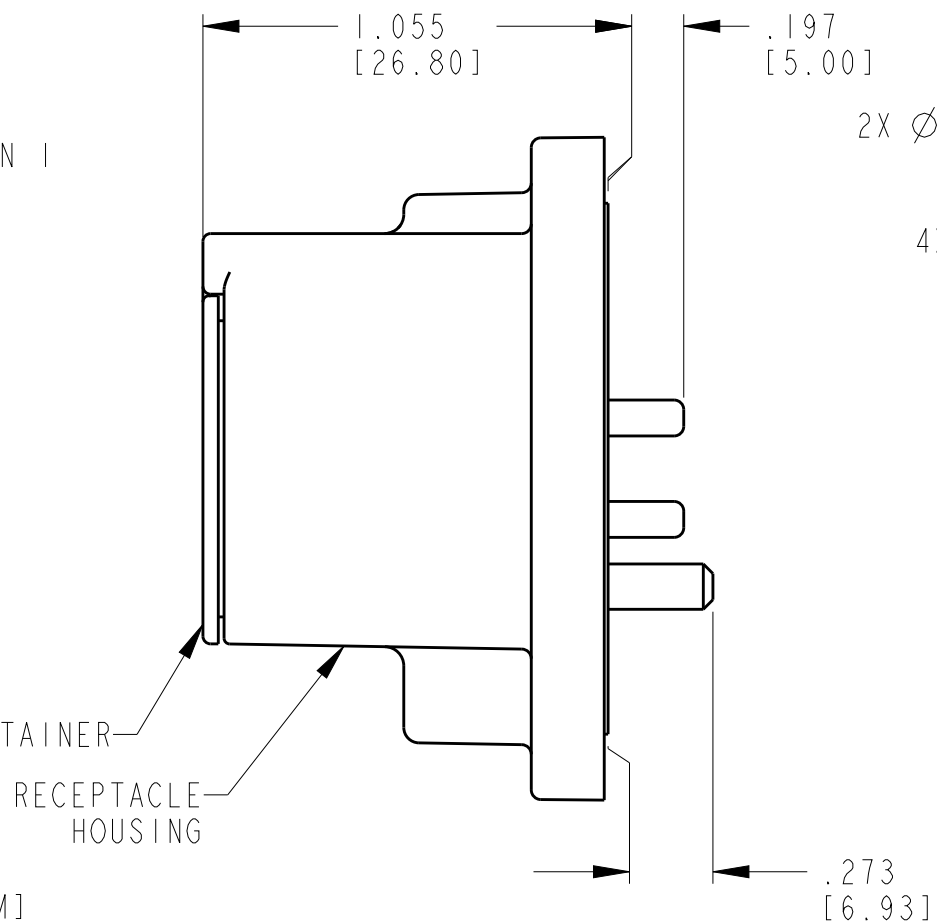
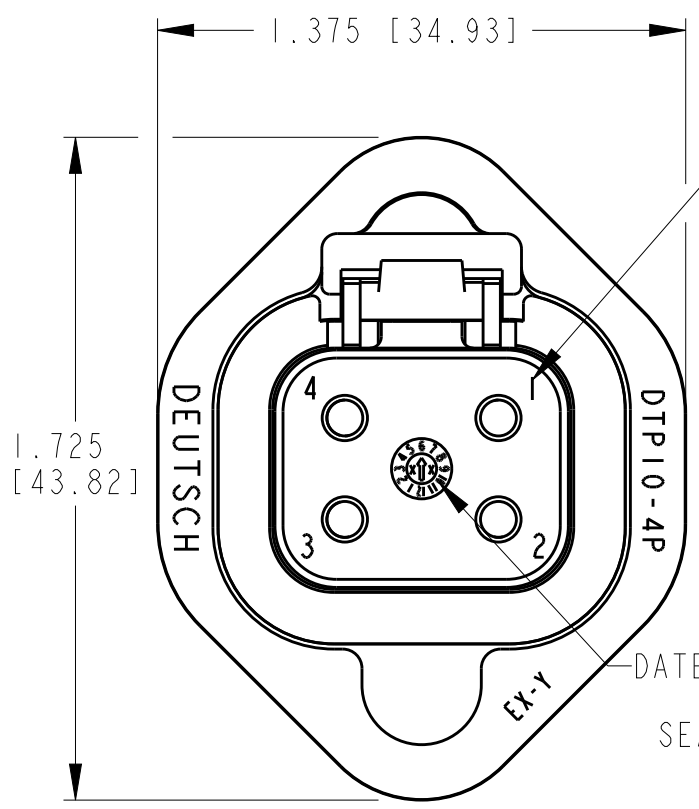


THIS DRAWING IS UNPUBLISHED
 RELEASED FOR PUBLICATION 2015
 © COPYRIGHT 2015 BY - TE CONNECTIVITY ALL RIGHTS RESERVED.

LOC	DIST	P	LTR	DESCRIPTION	DATE	DWN	APVD
-	-		NC	NEW RELEASE PER E.O. PI8924	20MAY2005	-	RDR
			A	REVISED PER ECO-15-003592	14APR2015	VNB	DM
			AI	REVISED PER ECO-16-002039	02DEC2015	SH	DM



FLANGE SEAL NOT SHOWN FOR CLARITY

- 6. PANEL SURFACE FINISH: 32 RMS [0.8 μM] OR BETTER .005 [.12]
- 5. RECOMMENDED SCREW: 6-19 [M3.63 X 1.34] PLASTITE 48, SINGLE HELIX
TORQUE: 18-20 IN-LB [2.03-2.26 NM]
- 4. THE RECEPTACLE MATES WITH DTP06-4S-XXXX PLUG (XXXX = ALL MODIFICATIONS)
- 3. PIN PLATING:
MATING SIDE: TIN (ROHS)
PCB SIDE: TIN (ROHS)
- 2. MATERIAL:
RECEPTACLE: PA46 GF30 (BLACK)
SEAL RETAINER: PA46 GF10 (BLACK)
FLANGE SEAL: SILICONE (RED-ORANGE)
INTERFACE SEAL: SILICONE, PHENYL FLUID LUBED (GREEN)
PIN: COPPER ALLOY
- 1. DIMENSIONAL TOLERANCES: ±.025 [0.64]
PANEL CUTOUT: ±.010 [.25]
PIN LOCATION: ±.005 [.13]
MOUNTING HOLE LOCATION: ±.010 [.25]

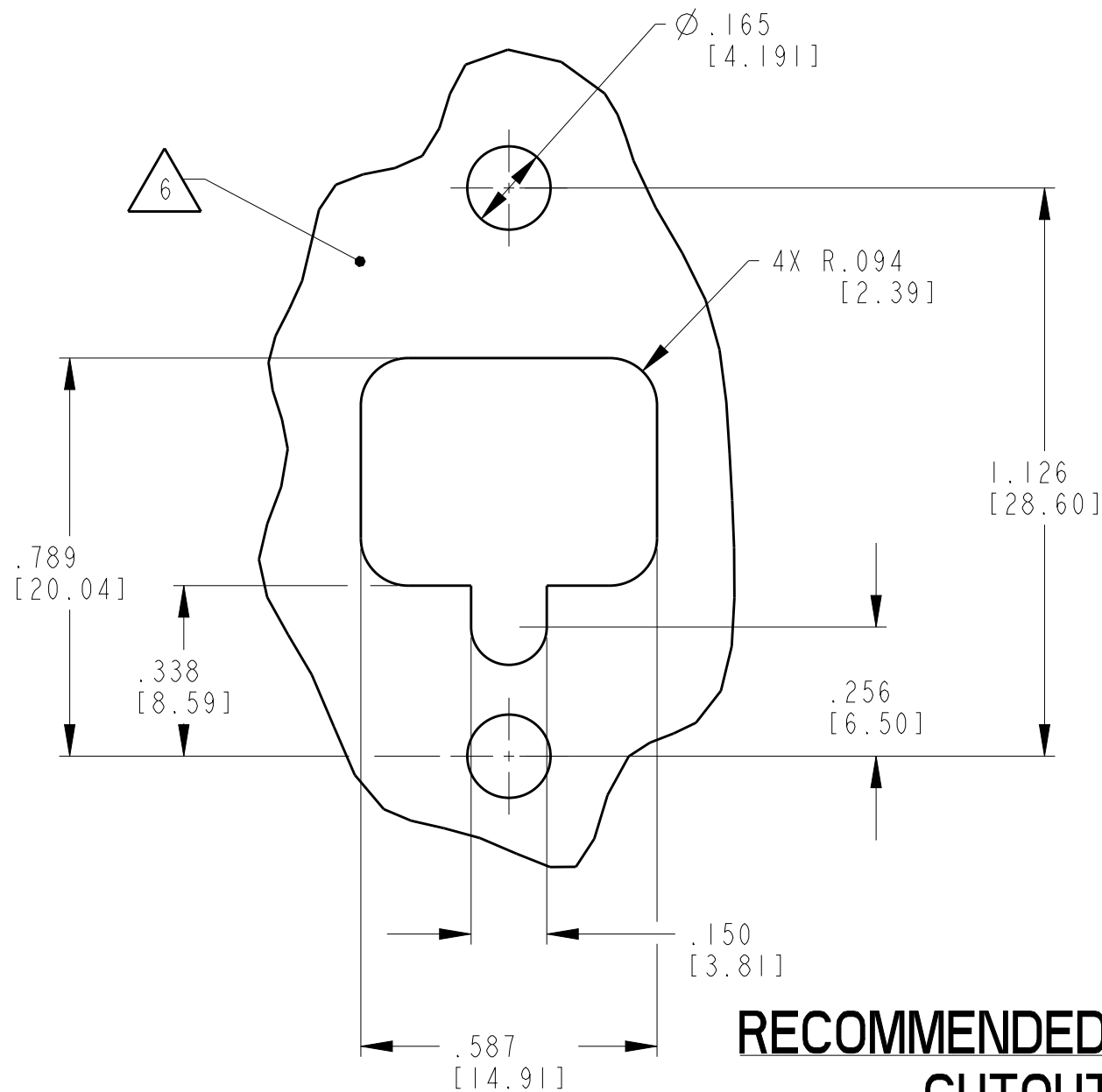
NOTES: UNLESS OTHERWISE SPECIFIED

TE INTERNAL PN	DEUTSCH PN
DTP10-4P	DTP10-4P


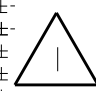
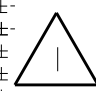
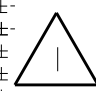

THIS DRAWING IS A CONTROLLED DOCUMENT.		DWN D. MEYER 17MAY2005		TE Connectivity	
DIMENSIONS: INCHES [mm]		CHK J. APOSTOL 18MAY2005			
		APVD R. REED 20MAY2005		NAME RECEPTACLE, HEADER, 4PIN, SIZE 12 EXTERNAL MOUNT DTP SERIES	
		TOLERANCES UNLESS OTHERWISE SPECIFIED:		PRODUCT SPEC 0425-015-0000	
MATERIAL		FINISH		APPLICATION SPEC 0425-015-0000	
				WEIGHT 21.0g	
				SIZE A3 CAGE CODE 4AFU8 DRAWING NO. DTP10-4P RESTRICTED TO	
				Customer Drawing SCALE 2:1 SHEET 1 OF 2 REV AI	

THIS DRAWING IS UNPUBLISHED
 RELEASED FOR PUBLICATION 2015
 © COPYRIGHT 2015 BY - TE CONNECTIVITY ALL RIGHTS RESERVED.

LOC	DIST	REVISIONS			
P	LTR	DESCRIPTION	DATE	DWN	APVD
-	-	SEE SHEET 1	-	-	-



RECOMMENDED PANEL CUTOUT

THIS DRAWING IS A CONTROLLED DOCUMENT.		DWN D. MEYER 17MAY2005	 TE Connectivity															
DIMENSIONS: INCHES [mm]		CHK J. APOSTOL 18MAY2005																
TOLERANCES UNLESS OTHERWISE SPECIFIED:		APVD R. REED 20MAY2005	NAME RECEPTACLE, HEADER, 4PIN, SIZE 12 EXTERNAL MOUNT DTP SERIES															
<table border="0"> <tr> <td>0 PLC</td> <td>±</td> <td rowspan="5">  </td> </tr> <tr> <td>1 PLC</td> <td>±</td> </tr> <tr> <td>2 PLC</td> <td>±</td> </tr> <tr> <td>3 PLC</td> <td>±</td> </tr> <tr> <td>4 PLC</td> <td>±</td> </tr> <tr> <td>ANGLES</td> <td>±</td> <td></td> </tr> </table>		0 PLC	±		1 PLC	±	2 PLC	±	3 PLC	±	4 PLC	±	ANGLES	±		PRODUCT SPEC 0425-015-0000	RESTRICTED TO	
0 PLC	±																	
1 PLC	±																	
2 PLC	±																	
3 PLC	±																	
4 PLC	±																	
ANGLES	±																	
MATERIAL		APPLICATION SPEC 0425-015-0000	SIZE A3	CAGE CODE 4AFU8	DRAWING NO C-DTP10-4P													
FINISH		WEIGHT 21.0g	Customer Drawing															
		SCALE 2:1	SHEET 2	OF 2	REV A1													

单击下面可查看定价，库存，交付和生命周期等信息

[>>TE Connectivity\(泰科\)](#)