

4

3

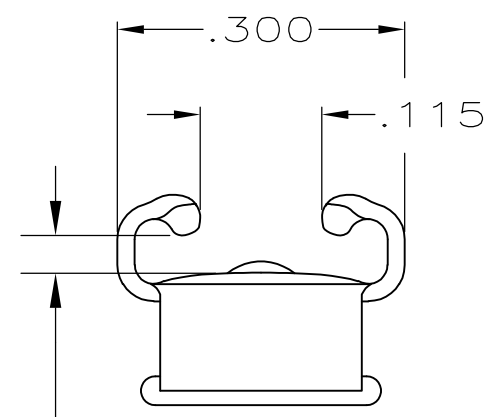
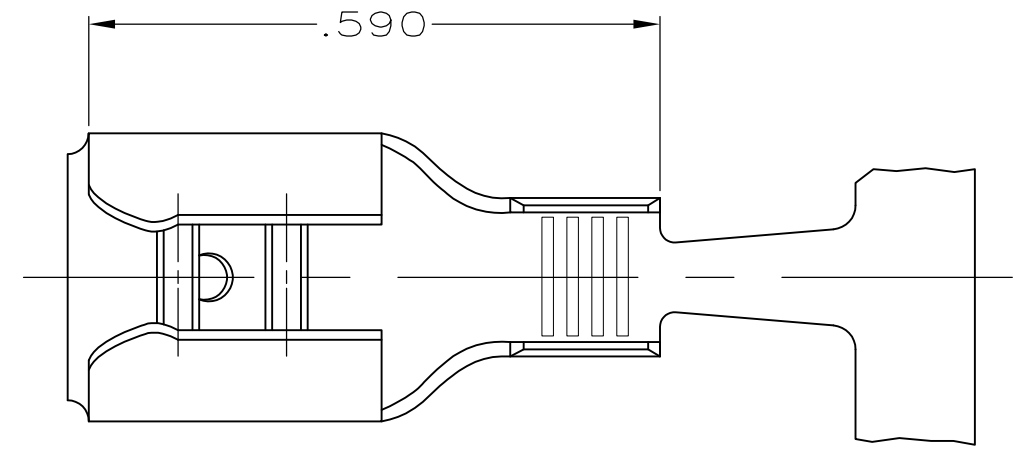
2

1

THIS DRAWING IS UNPUBLISHED. RELEASED FOR PUBLICATION
 © COPYRIGHT - By - ALL RIGHTS RESERVED.

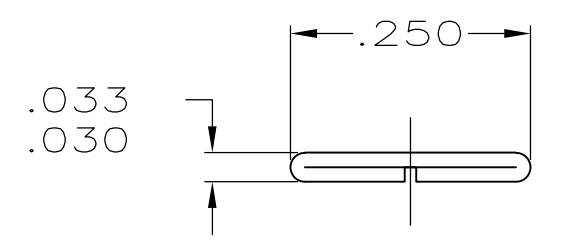
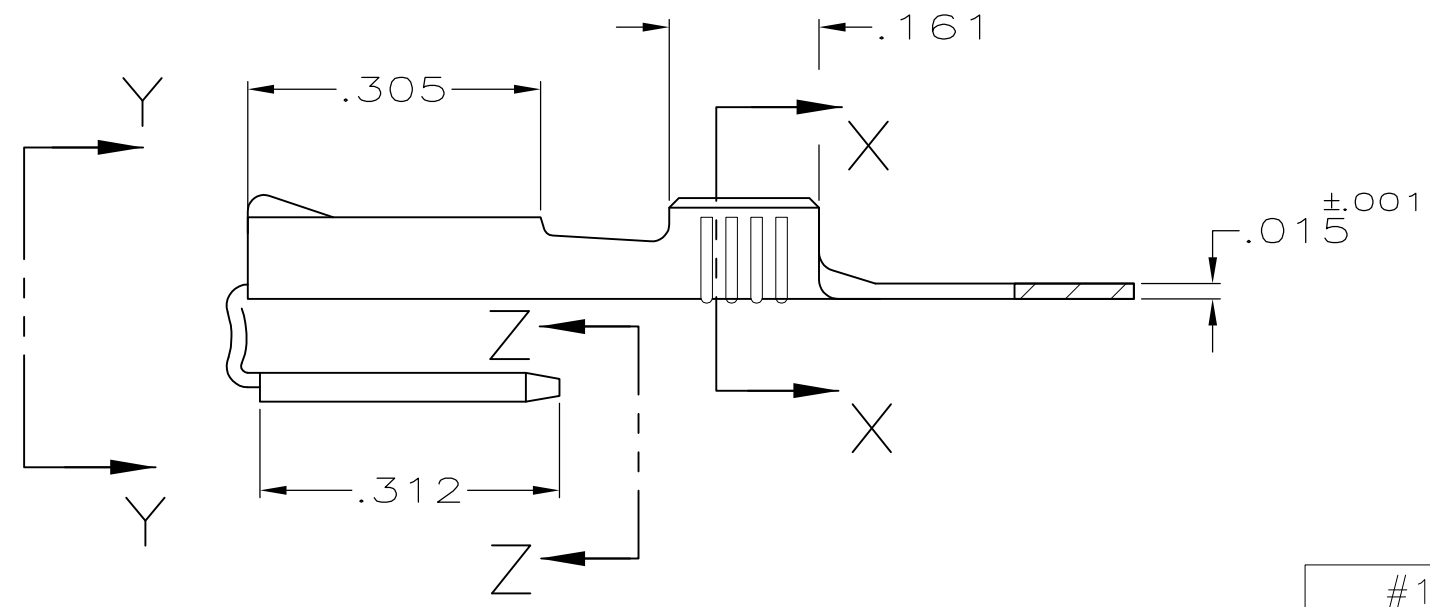
LOC	DIST	REVISIONS					
AF	50	P	LTR	DESCRIPTION	DATE	DWN	APVD
			F	REVISED PER ECR-12-013459	28NOV2012	KH	PD

1 CONTINUOUS STRIP ON REELS

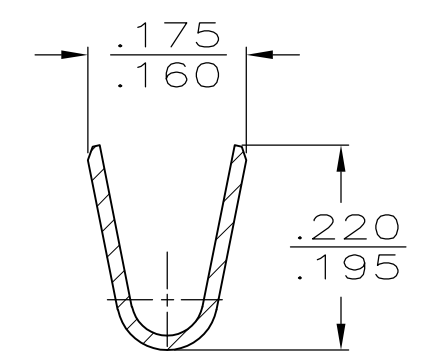


FITS .250 SERIES FASTON TABS

VIEW Y-Y




VIEW Z-Z



SECTION X-X

#14-#10 AWG - 9600 CMA MAX	.032	62068-1
WIRE SIZE	MATING TAB THK ±.001	PART NO.

THIS DRAWING IS A CONTROLLED DOCUMENT.		DWN JR RUTH 4/11/91	 TE Connectivity RECEPTACLE, PIGGYBACK, FASTON, .250 SERIES	
DIMENSIONS: INCHES		CHK MS FEHER 4/11/91		
TOLERANCES UNLESS OTHERWISE SPECIFIED:		APVD C MEYERS 4/11/91		
0 PLC ± - 1 PLC ± - 2 PLC ± - 3 PLC ± .015 4 PLC ± - ANGLES ± -		NAME		
MATERIAL BRASS		FINISH PRE-TIN	PRODUCT SPEC	SIZE
			APPLICATION SPEC	CAGE CODE
			WEIGHT -	DRAWING NO
			CUSTOMER DRAWING	RESTRICTED TO
				SCALE 5:1
				SHEET 1 OF 1
				REV F

单击下面可查看定价，库存，交付和生命周期等信息

[>>TE Connectivity\(泰科\)](#)