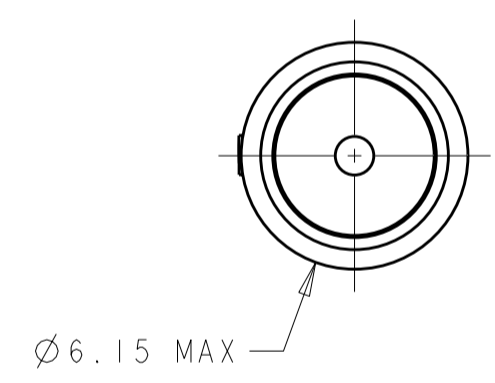
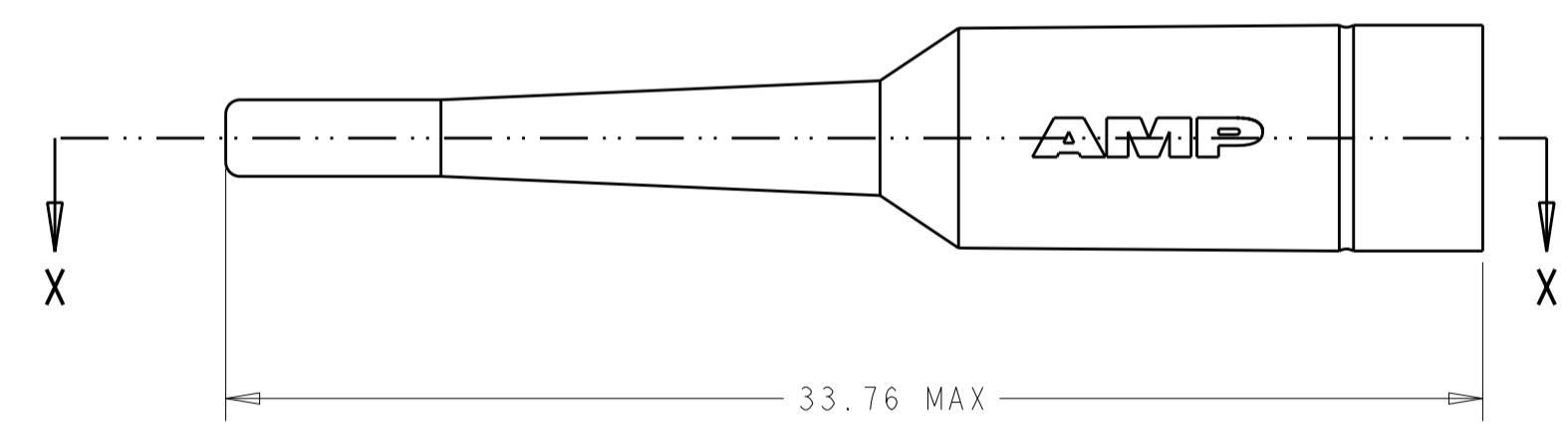
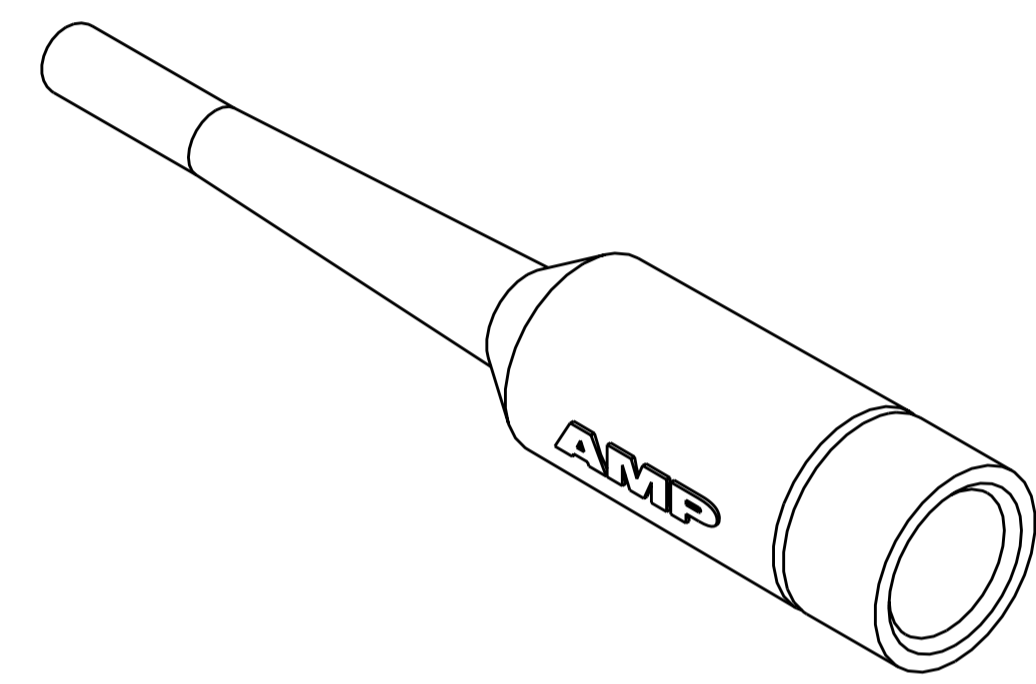
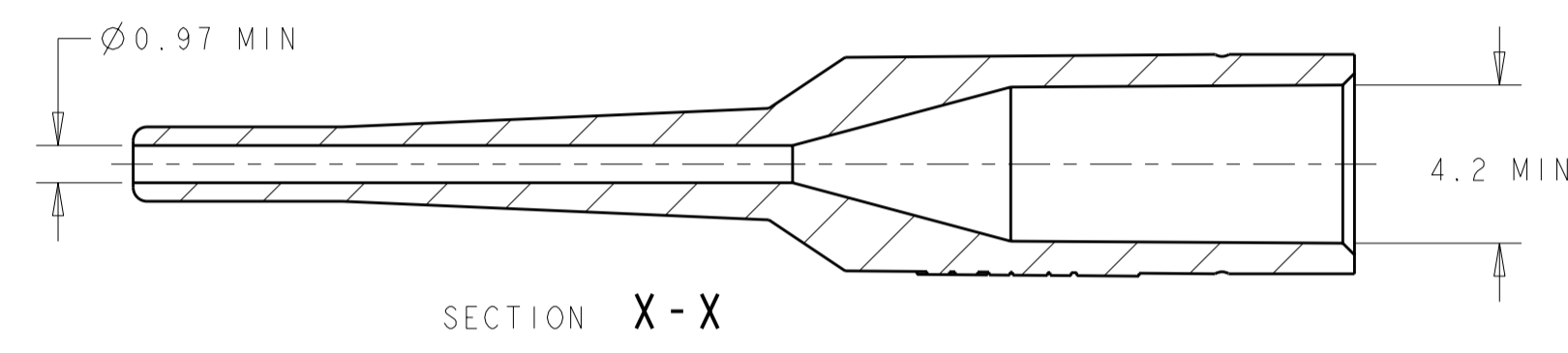


THIS DRAWING IS UNPUBLISHED. RELEASED FOR PUBLICATION 20  
 © COPYRIGHT 20 BY TYCO ELECTRONICS CORPORATION. ALL RIGHTS RESERVED.

LOC	DIST	REVISIONS			
P	LTR	DESCRIPTION	DATE	DWN	APVD
C		ECR-05-009395	22AUG2005	EJH	SB
D		REVISE PER ECR-06-029880	09JAN2007	BB	SM



1 MATERIAL: TPE, UL94 V-0 RATED AT QUALIFYING THICKNESS.  
 SEE DASH NUMBER FOR COLOR.

2 NO AMP LOGO.

2	AQUA	1-6457493-8
	AQUA	1-6457493-7
2	GREEN	1-6457493-6
	GREEN	1-6457493-5
2	WHITE	1-6457493-4
2	BEIGE	6457493-9
2	BLUE	6457493-8
	YELLOW	6457493-5
	RED	6457493-4
	BLACK	6457493-3
	BLUE	6457493-1
	COLOR	PART NUMBER

DIMENSIONS:		TOLERANCES UNLESS OTHERWISE SPECIFIED:		DWN	26 JAN 2005	Tyco Electronics Harrisburg, PA 17105-3608	
mm		0 PLC	±	CHK	E. HOPKINS		
		1 PLC	±	CHK	D. ERDMAN		
		2 PLC	±	APVD	S. BUCHTER		
		3 PLC	±	PRODUCT SPEC		NAME	BOOT, BARE BUFFER, SC/FC
		4 PLC	±	APPLICATION SPEC		SIZE	A2
		ANGLES	±°	WEIGHT		CAGE CODE	00779
		FINISH		CUSTOMER DRAWING		DRAWING NO	6457493
						RESTRICTED TO	
						SCALE	5:1
						SHEET	1 OF 1
						REV	D

单击下面可查看定价，库存，交付和生命周期等信息

[>>TE Connectivity\(泰科\)](#)