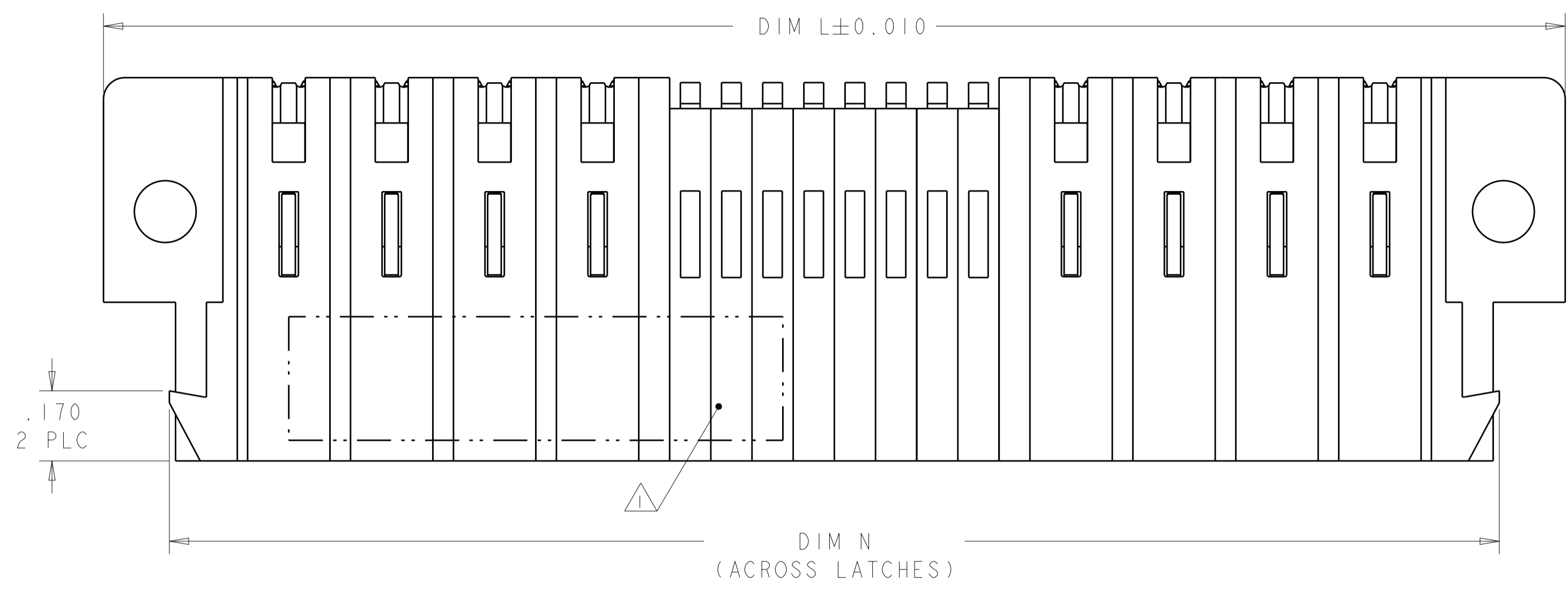
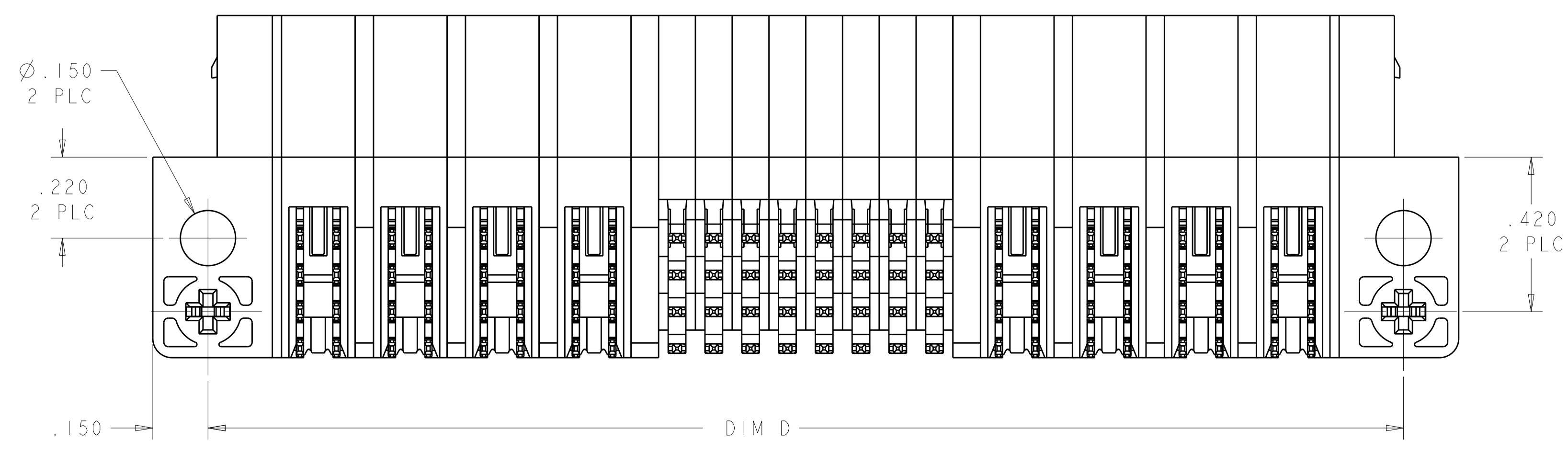
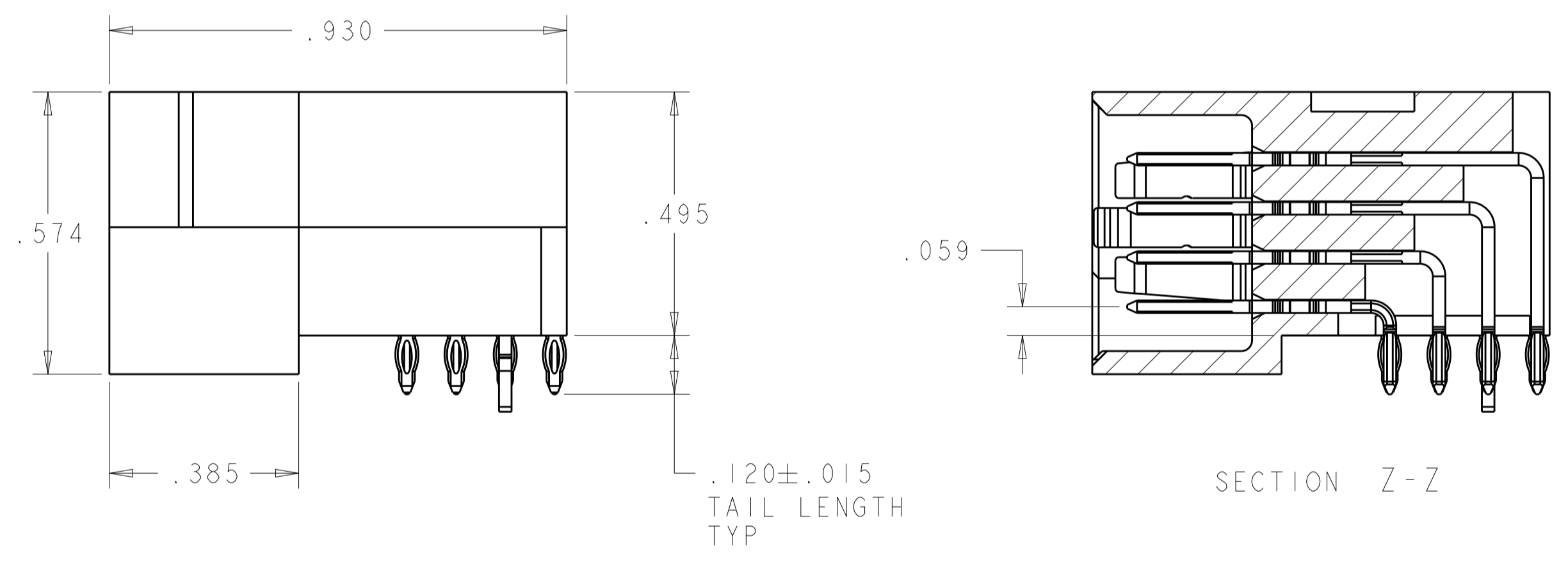
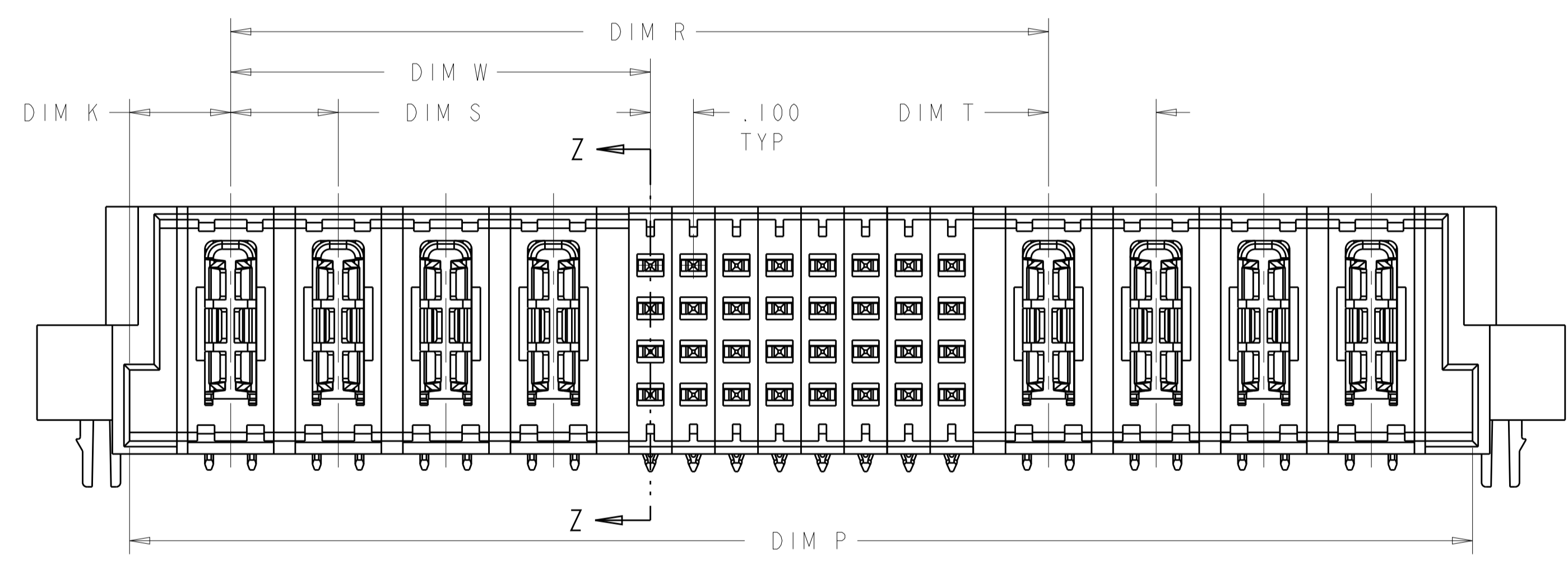


LOC	DIST	REVISIONS					
		P.	LTN	DESCRIPTION	DATE	DWN	APVD
ES	00	A1		REVISED PER ECR-06-027334	28NOV2006	A. S	S. Y
		B		REV PER ECR-08-006613	14MAR2008	CZ	SY
		B1		ADDED THE DASH NO. -3	17JUN2011	ML	SZ
		B2		REV PER ECR-13-004638	20MAR2013	ML	SZ



- 1 "AMP" PART NUMBER AND DATE CODE TO BE MARKED IN AREA SHOWN. PARTS UNDER 2.00 INCHES LONG MAY BE MARKED ON BOTH SIDES.
- 2 MATERIAL: HOUSING - GLASS FILLED HIGH TEMP THERMO PLASTIC, UL 94 V-0
SIGNAL CONTACT - COPPER ALLOY
POWER CONTACT - HIGH CONDUCTIVITY COPPER ALLOY.
- 3 CONTACT PLATING: NOBLE METAL PLATING ON CONTACT FUNCTIONAL AREA OF POWER AND SIGNAL CONTACTS
- 4 MECHANICAL CONNECTOR KEEP OUT ZONE. WHEN PLACING CONNECTORS END-TO-END, ALLOW ADDITIONAL 0.1 CLEARANCE BETWEEN CONNECTORS FOR LATCH ACTIVATION.
- 5 DATUM AND BASIC DIMENSIONS ESTABLISHED BY CUSTOMER.
- 6 PCB - ALL HOLE DIAMETERS ARE FINISHED HOLE SIZES.
- 7 PCB - .0453 ± .0010 DRILLED HOLES PLATED WITH .0003 MIN Sn OVER .001 TO .003 Cu PLATING TO ACHIEVE A .040 DIA HOLE.
- 8 NOT RELEASED FOR PRODUCTION
- 9 FOR CONFIGURATION WITH VENT, PLEASE REFER TO SHEET 2.



2.750	-	.300	2.620	2.730	-	2.050	3.050	.260	7ACP + 8S + 0P	1892138-3
3.500	.300	.300	3.370	3.480	1.900	1.150	3.800	.285	4ACP + 24S + 4ACP	1892138-2
3.250	.250	.250	3.120	3.230	1.900	.975	3.550	.235	4P + 32S + 4P	1892138-1
DIM D	DIM T	DIM S	DIM P	DIM N	DIM R	DIM W	DIM L	DIM K	DESCRIPTION	PART NUMBER

THIS DRAWING IS A CONTROLLED DOCUMENT. DWN: ALEX SHOAL 03NOV2006
CHK: S. ZHAO 03NOV2006

DIMENSIONS: INCHES. TOLERANCES UNLESS OTHERWISE SPECIFIED:
0 PLC ±.01
1 PLC ±.01
2 PLC ±.01
3 PLC ±.005
4 PLC ±.002
ANGLES ±.7°

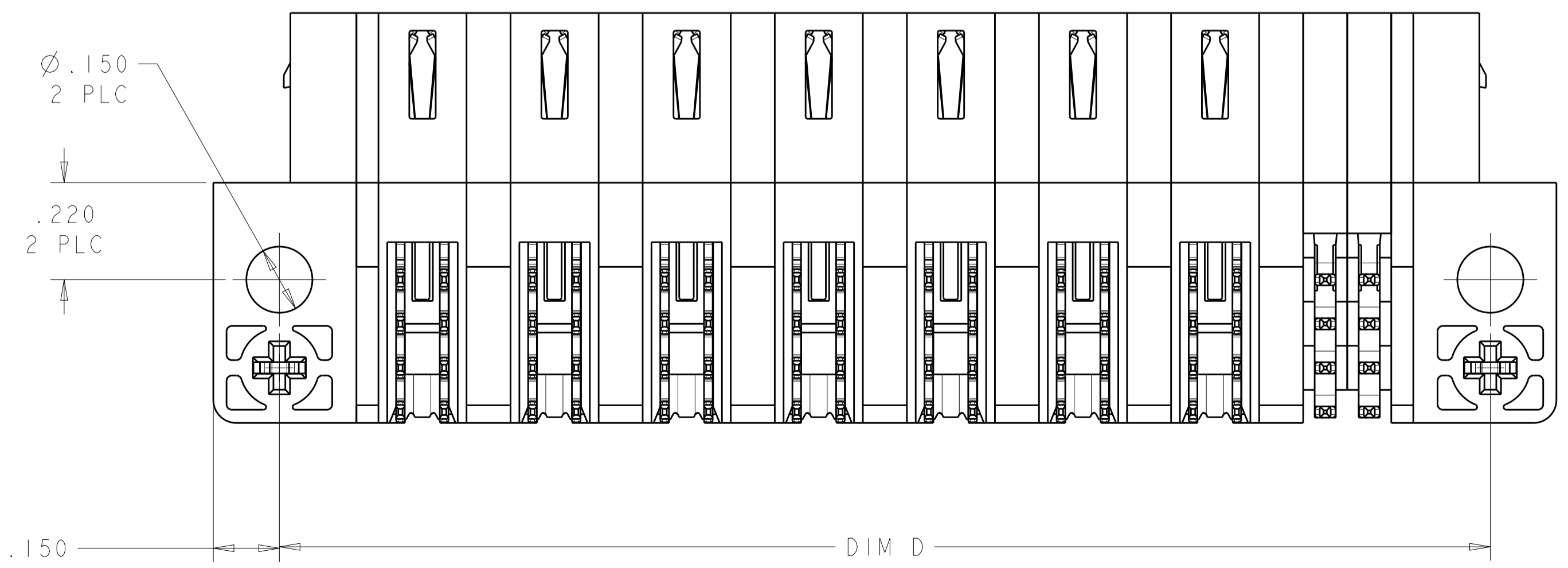
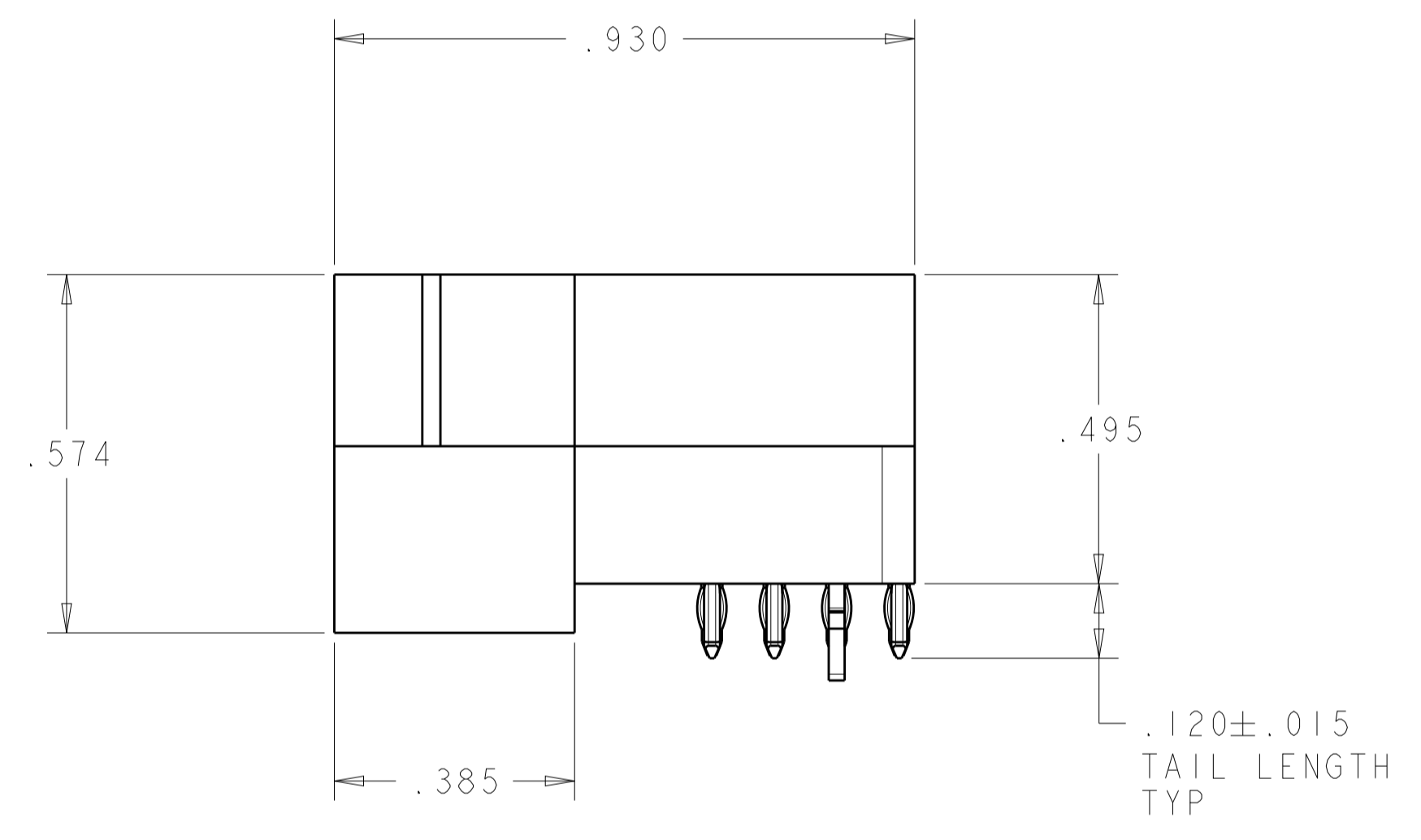
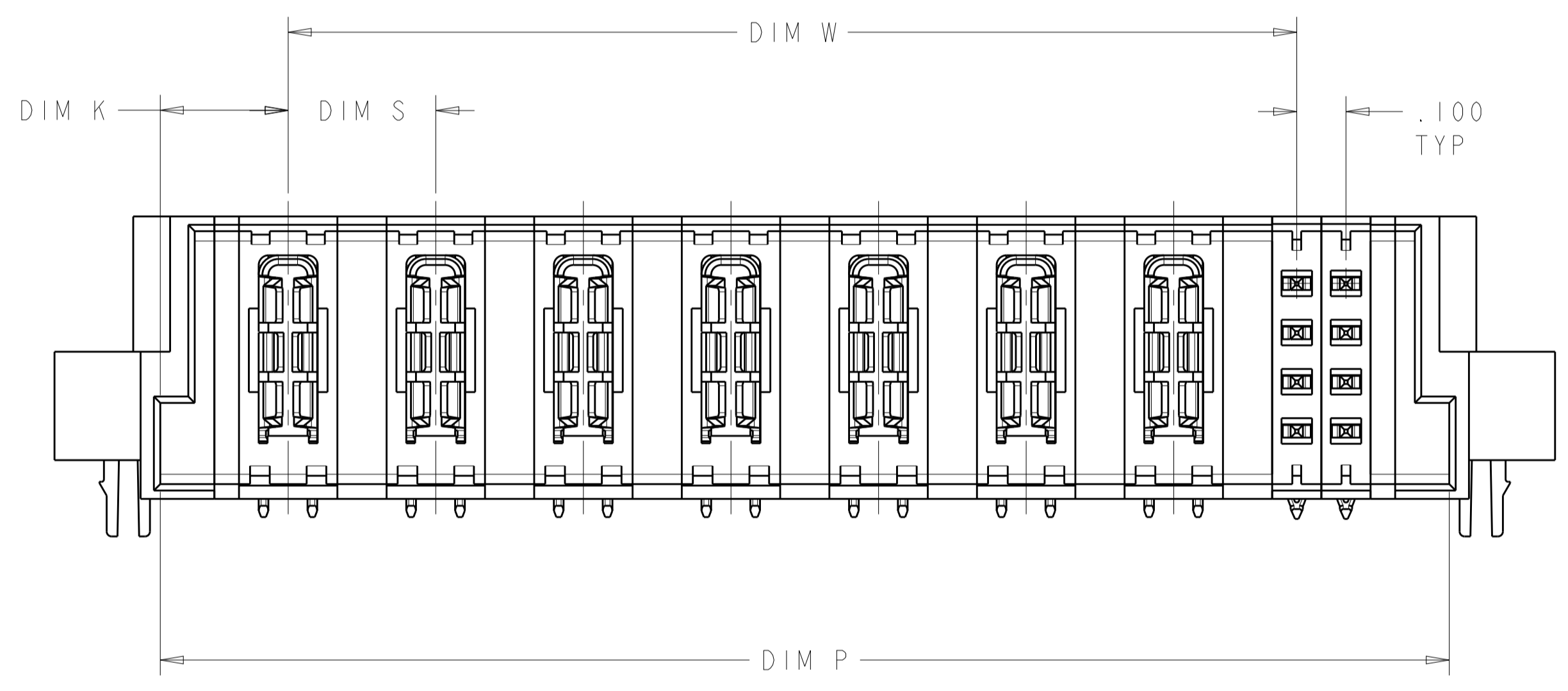
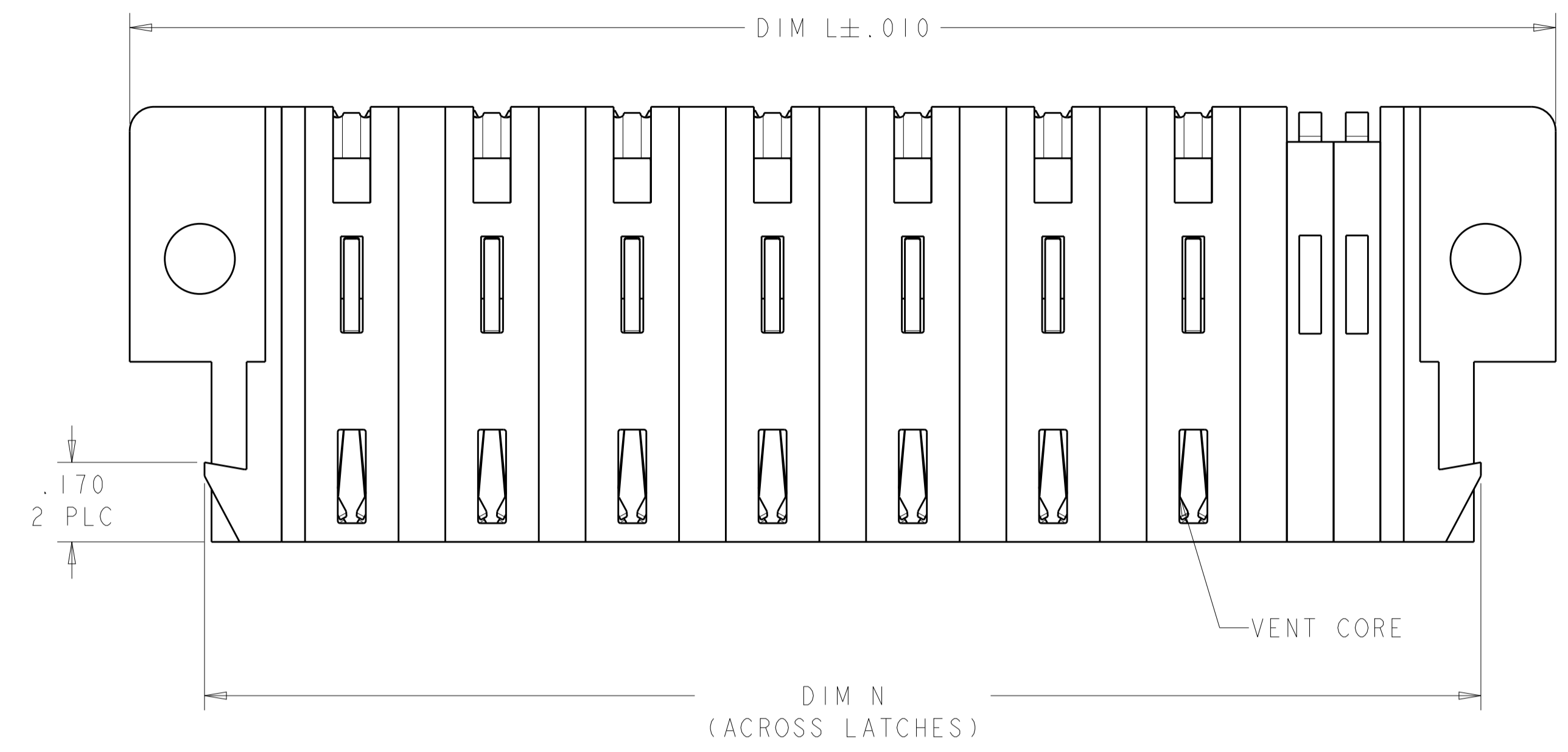
MATERIAL: 2. FINISH: 3.

APVD: S. ZHAO
NAME: ALEX SHOAL
PRODUCT SPEC: 108-2292
APPLICATION SPEC: 114-13251
WEIGHT: -
CUSTOMER DRAWING

STE TE Connectivity
RIGHT ANGLE HEADER ASSEMBLY W/ END LATCHES MULTI-BEAM XLE
SIZE: A1
CAGE CODE: 100779
DRAWING NO: 1892138
SCALE: 4:1
SHEET: 1 OF 4
REV: B2

LOC		DIST		REVISIONS			
ES	00	P	LTH	DESCRIPTION	DATE	DMN	APVD
		-		SEE SHEET 1			

9 PART NO.: 1892138-3

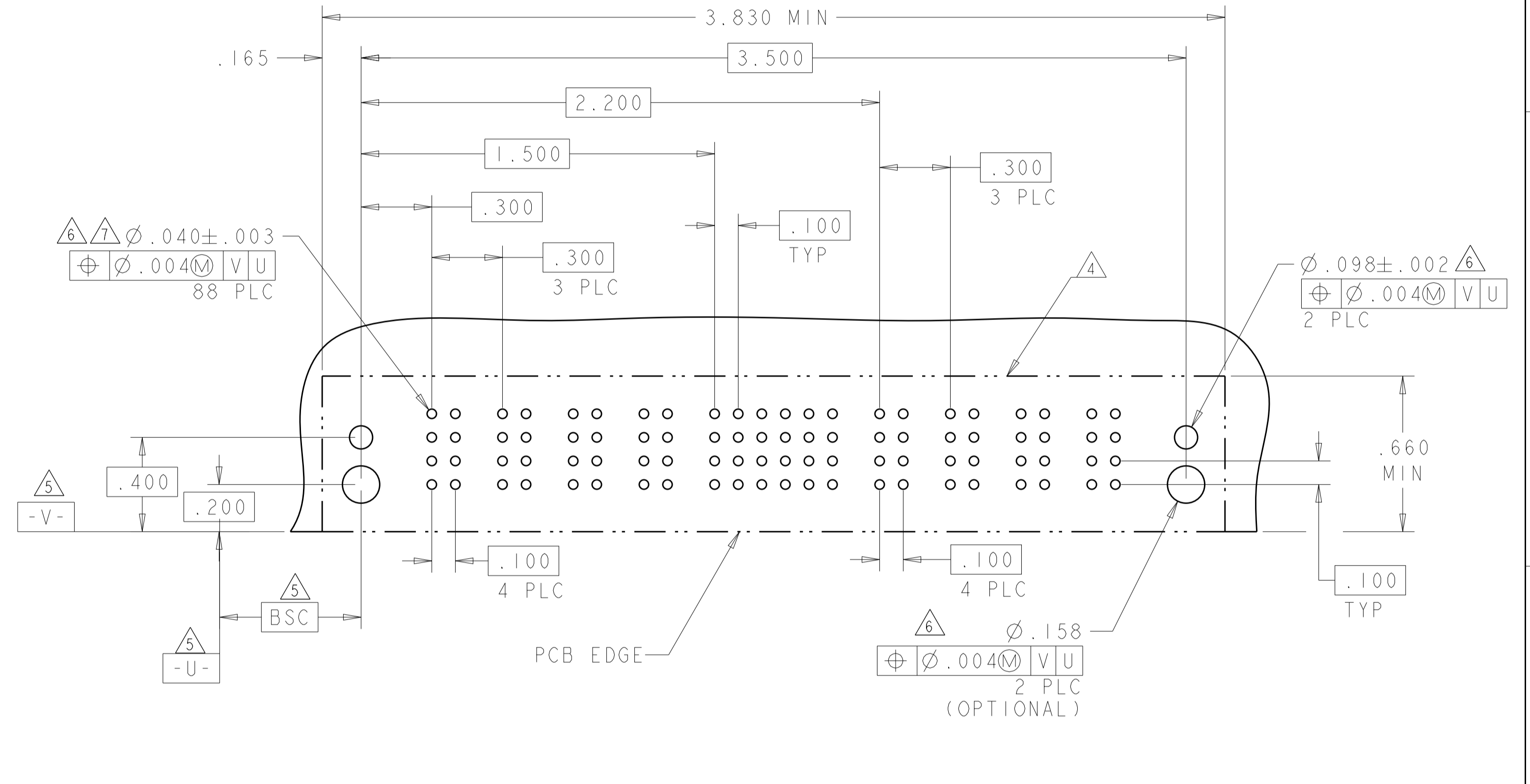
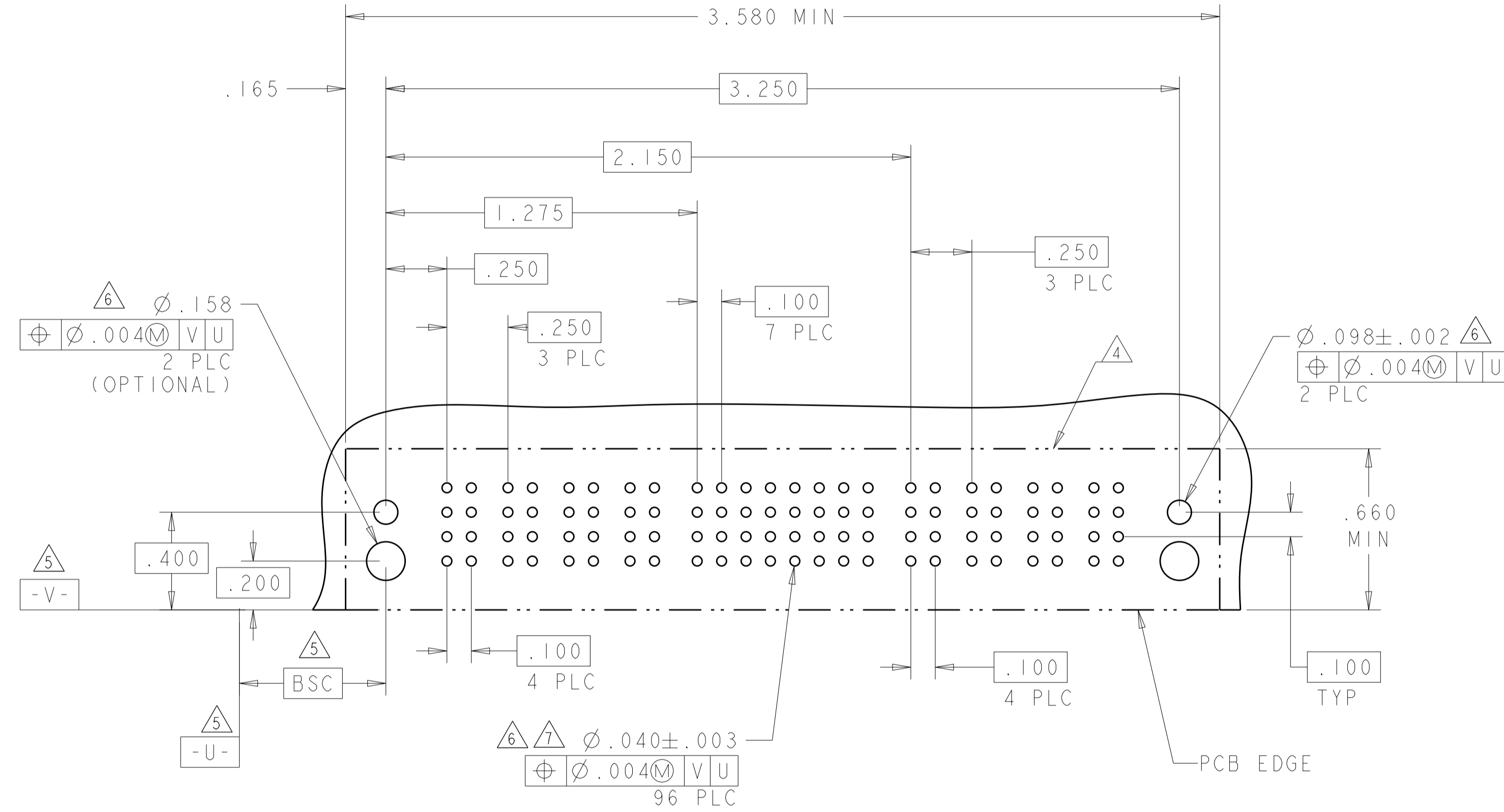


THIS DRAWING IS A CONTROLLED DOCUMENT.		DMN ALEX SHOAL 03NOV2006	TE Connectivity
DIMENSIONS: INCHES		CHK S. ZHAO 03NOV2006	
TOLERANCES UNLESS OTHERWISE SPECIFIED: 0 PLC ±. 1 PLC ±.01 2 PLC ±.01 3 PLC ±.005 4 PLC ±.0020 ANGLES ±.2°		APVD S. ZHAO	NAME
MATERIAL		PRODUCT SPEC 108-2292	RIGHT ANGLE HEADER ASSEMBLY W/ END LATCHES MULTI-BEAM XLE
FINISH		APPLICATION SPEC 114-13251	RESTRICTED TO
		WEIGHT	SIZE CAGE CODE DRAWING NO. A100779C=1892138
		CUSTOMER DRAWING	SCALE 4:1 SHEET 2 OF 4 REV B2

LOC	DIST	REV	DATE	BY	APPD
ES	00				
		DESCRIPTION		DATE	BY
		SEE SHEET 1			

PART NUMBER	ROWS	POWER				SIGNAL								POWER			
		P1	P2	P3	P4	1	2	3	4	5	6	7	8	P5	P6	P7	P8
1892138-1	D C B A	TT	TT	TT	TT	Z5	Z5	Z5	Z5	Z5	Z5	Z5	Z5	TT	TT	TT	TT
						Y5	Y5	Y5	Y5	Y5	Y5	Y5	Y5				
						R5	R5	R5	R5	R5	R5	R5	R5				
4P + 32S + 4P						O5	O5	O5	O5	O5	O5	O5					

PART NUMBER	ROWS	POWER				SIGNAL						POWER			
		P1	P2	P3	P4	1	2	3	4	5	6	P5	P6	P7	P8
1892138-2	D C B A	TT	TT	TT	TT	Z5	Z5	Z5	Z5	Z5	Z5	TT	TT	TT	TT
						Y5	Y5	Y5	Y5	Y5	Y5				
						R5	R5	R5	R5	R5	R5				
4ACP + 24S + 4ACP						O5	O5	O5	O5	O5					



CODE	TAIL LENGTH
TT	.120

CODE	MATING SEQUENCE	ROW
Z5	STD	D
Y5	STD	C
R5	STD	B
O5	STD	A

THIS DRAWING IS A CONTROLLED DOCUMENT. DWG: ALEX_SHOAL 03NOV2006, CHK: S_ZHAO 03NOV2006, APVD: S_ZHAO

STE TE Connectivity

RIGHT ANGLE HEADER ASSEMBLY W/ END LATCHES MULTI-BEAM XLE

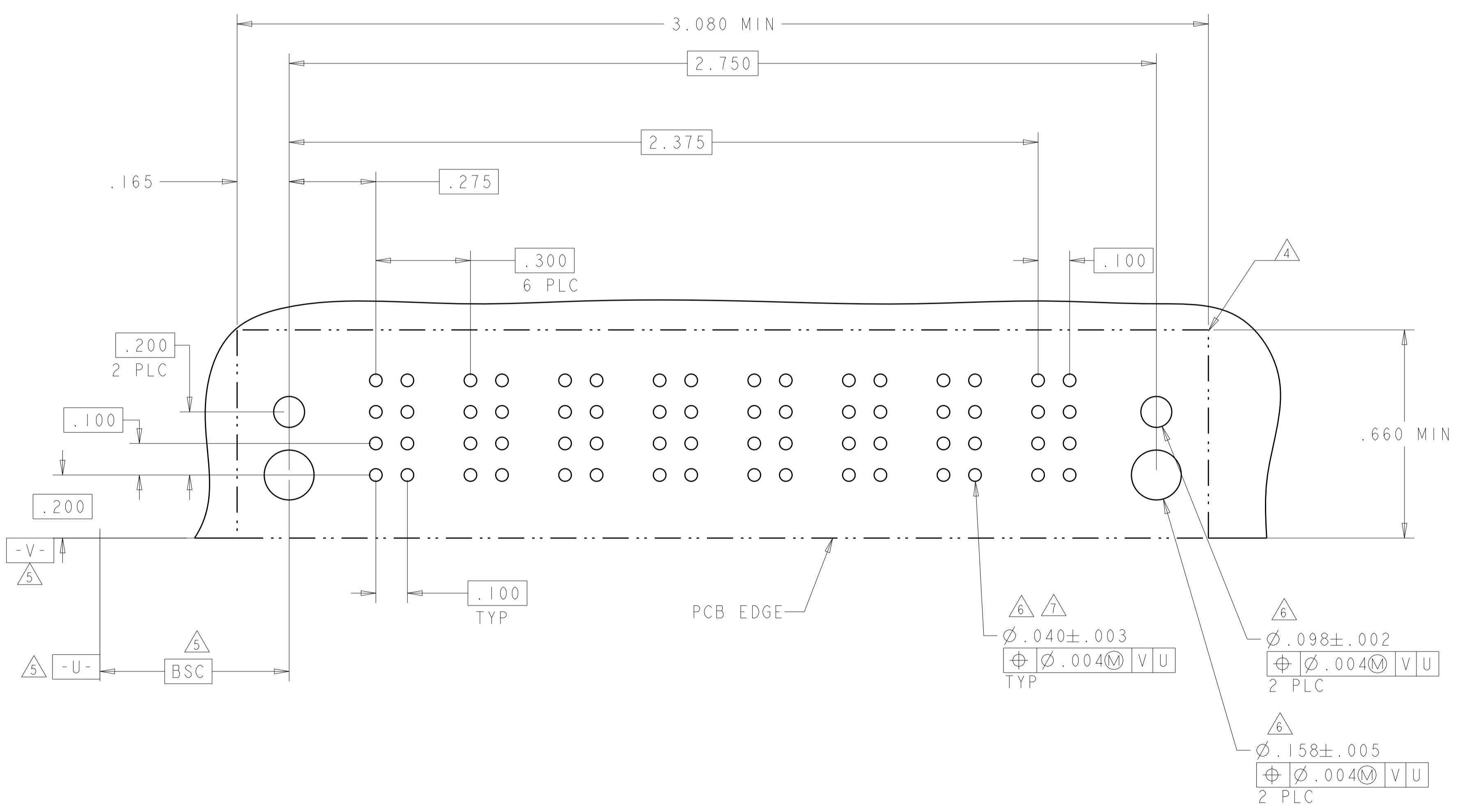
SIZE: A1, CAGE CODE: 114-13251, DRAWING NO: 108-2292, CUSTOMER DRAWING

SCALE: 4:1, SHEET: 3 OF 4, REV: B2

LOC	DIST	REVISIONS			
P	LTN	DESCRIPTION	DATE	DWN	APVD
ES	00	SEE SHEET 1			

PART NUMBER	ROWS	POWER							SIGNAL		
		P1	P2	P3	P4	P5	P6	P7	1	2	
1892138-3	D	HD	TT	TT	TT	TT	TT	TT	Z5	Z5	HD
	C								Y5	Y5	
	B								R5	R5	
	A								O5	O5	

7ACP + 8S



THIS DRAWING IS A CONTROLLED DOCUMENT.		DWN: ALEX SHOAL 03NOV2006	 TE Connectivity
DIMENSIONS: INCHES		CHK: S. ZHAO 03NOV2006	
TOLERANCES UNLESS OTHERWISE SPECIFIED: 0 PLC ±. 1 PLC ±.01 2 PLC ±.01 3 PLC ±.005 4 PLC ±.0020 ANGLES ±.2°		APVD: S. ZHAO	NAME: RIGHT ANGLE HEADER ASSEMBLY W/ END LATCHES MULTI-BEAM XLE
MATERIAL: -		FINISH: -	RESTRICTED TO: -
SCALE: 4:1		SIZE: 114-13251	REV: B2
CUSTOMER DRAWING		WEIGHT: -	APPROVED: A100779
CAGE CODE: -		DRAWING NO: 108-2292	DRAWING NO: 1892138
SHEET: 4 OF 4		APPLICATION SPEC: 108-2292	

单击下面可查看定价，库存，交付和生命周期等信息

[>>TE Connectivity\(泰科\)](#)