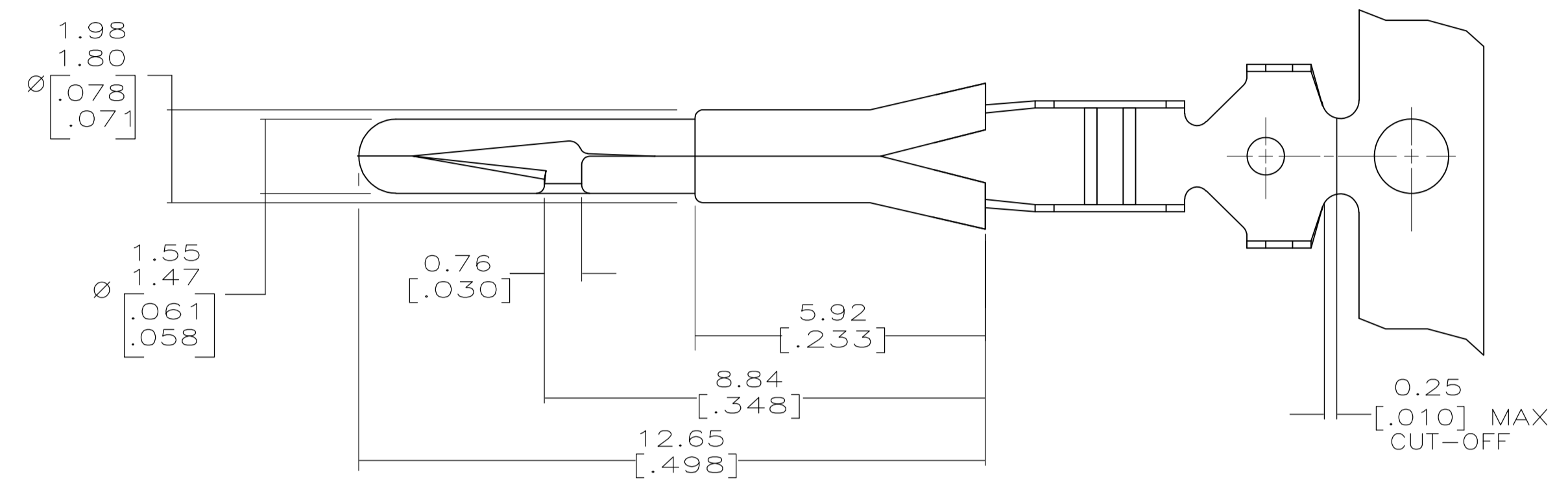
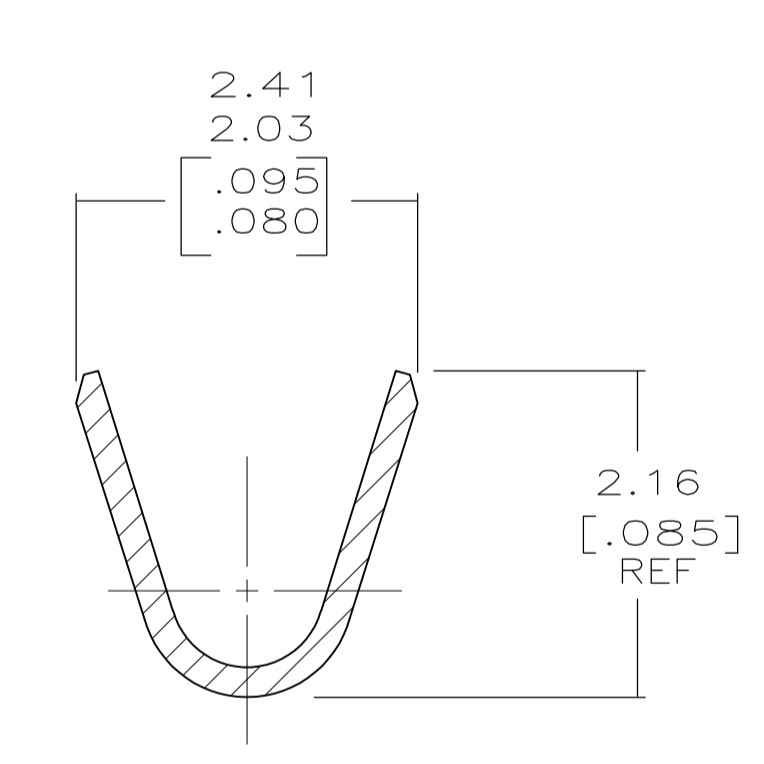
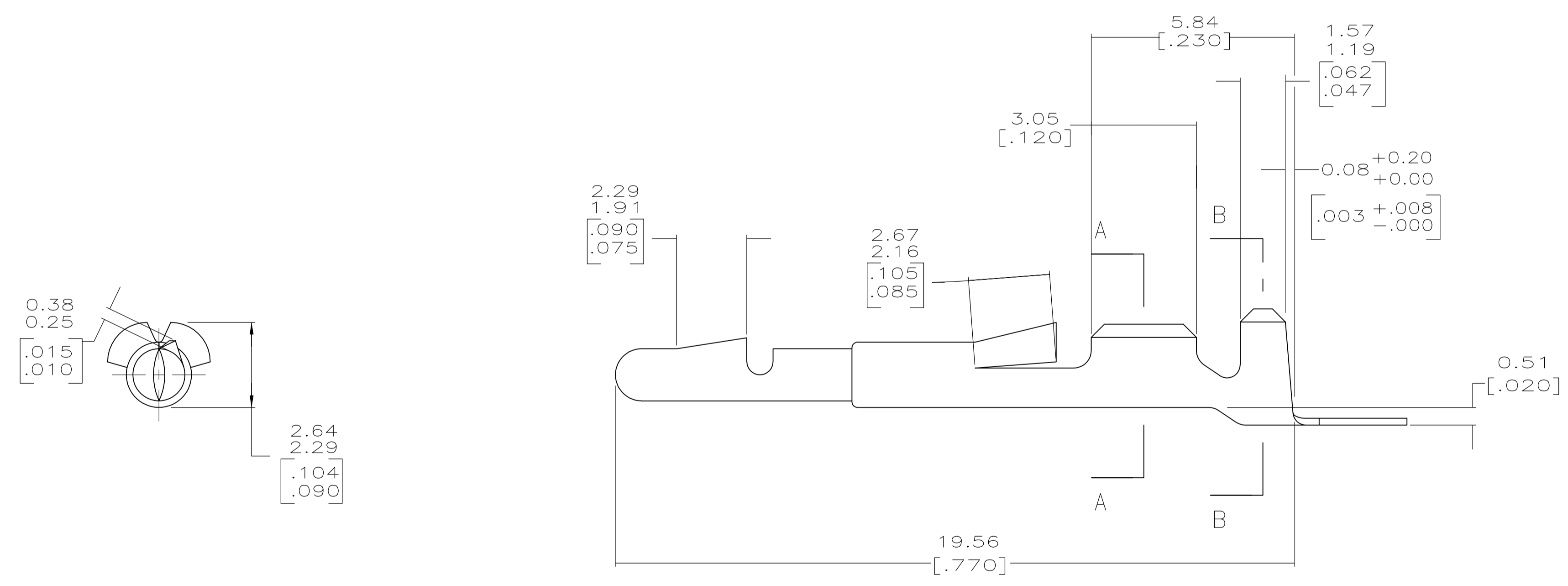


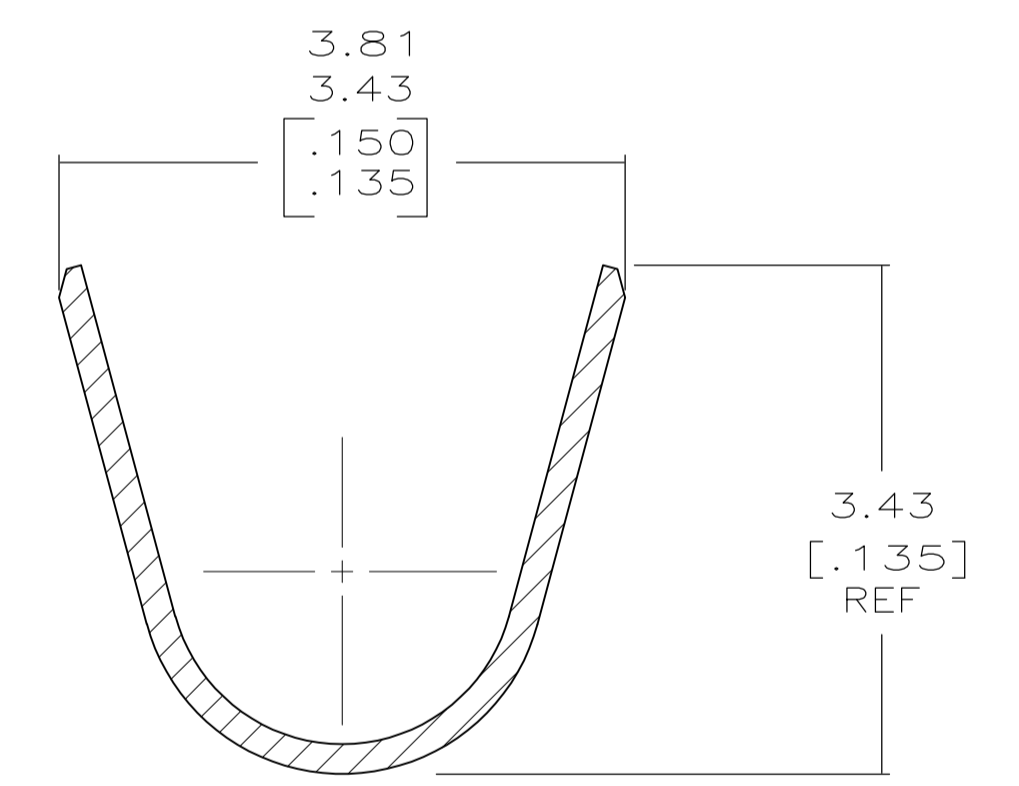
LOC		DIST		REVISIONS			
P	LTR	DESCRIPTION	DATE	DNW	APVD		
AF	50						
G		REVISED PER 0G3A-0332-04	10MAY04	MF	GP		
G1		REVISED PER ECO-10-000443	18JAN10	KK	AEG		



- INSULATION RANGE:  $\varnothing$  1.52-2.79 [.060-.110].  
WIRE RANGE: 0.3-0.9 mm<sup>2</sup> [22-18] AWG.
- 770381-2 IS REVERSE REEL OF 770381-1.
- DIMENSIONS IN BRACKETS ARE IN INCHES.
- OBsolete PARTS: OBsolete CIS STREAMLINING PER D.RENAUD/D.SINISI

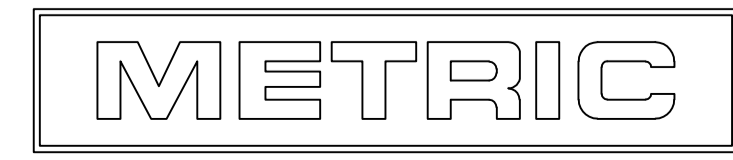


SECTION A-A  
SCALE 20:1



SECTION B-B  
SCALE 20:1

4 OBSOLETE	2	770381-2
		770381-1
NOTE		PART NUMBER



THIS DRAWING IS A CONTROLLED DOCUMENT.		DIN K. WHITAKER 2-4-88	Tyco Electronics Corporation Harrisburg, Pa 17105-3608
DIMENSIONS: mm [INCHES]		CHK R. SWING 2-5-88	
TOLERANCES UNLESS OTHERWISE SPECIFIED:		APVD M. SHORE 2-5-88	NAME PIN,.060 DIA,AUTOMOTIVE TM MATE-N-LOK
0 PLC ± -		PRODUCT SPEC	
1 PLC ± -		APPLICATION SPEC	SIZE A1
2 PLC ± 0.13 [.005]		WEIGHT	CAGE CODE 00779
3 PLC ± -		CUSTOMER DRAWING	DRAWING NO 770381
4 PLC ± -		SCALE 10:1	SHEET 1 OF 1
ANGLES ± -		RESTRICTED TO	REV G1
MATERIAL 0.20 [.008] BRASS		FINISH PRE-TIN	

单击下面可查看定价，库存，交付和生命周期等信息

[>>TE Connectivity\(泰科\)](#)