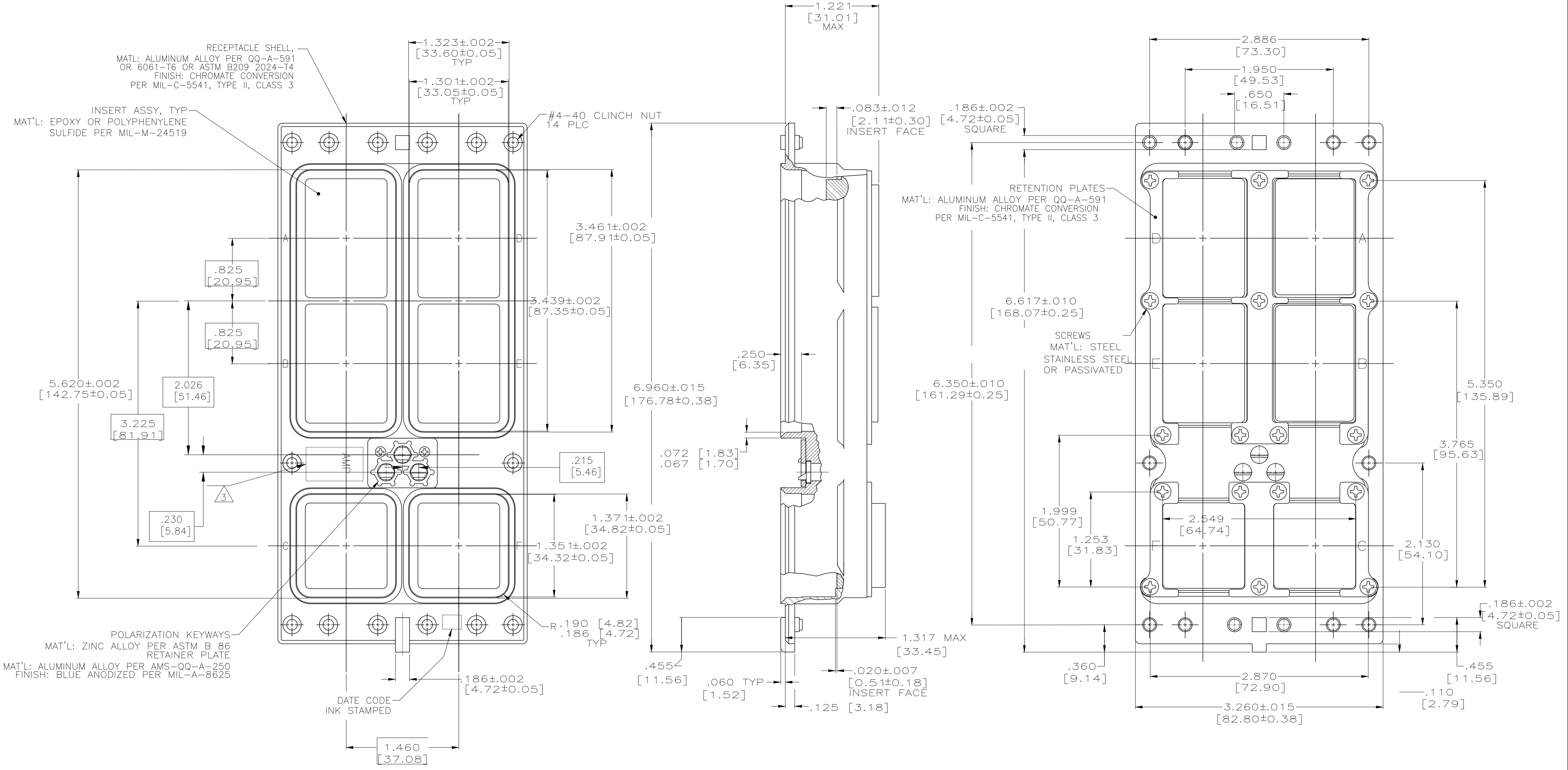
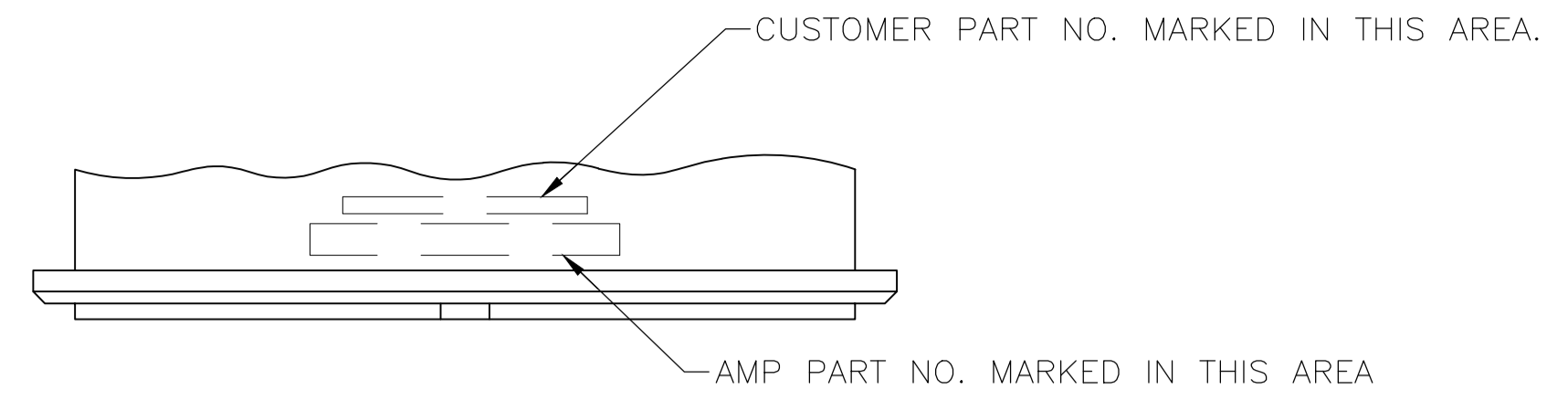


| REVISIONS |     |                           |           |        |
|-----------|-----|---------------------------|-----------|--------|
| P         | LTR | DESCRIPTION               | DATE      | BY     |
| D         |     | REVISED PER ECO-17-018523 | 19JAN2018 | PHM CT |



1. POLARIZING KEYS ARE ASSEMBLED IN POSITION "01".
2. CONTACTS ARE NOT INCLUDED WITH THIS CONNECTOR.
3. TE LOGO APPEARS IN THIS APPROXIMATE LOCATION ON MACHINED FROM BILLET SHELLS.
4. ASSEMBLY SHOWN WITH DIE CAST SHELL. ASSEMBLIES WITH MACHINED SHELLS MAY VARY SLIGHTLY IN APPEARANCE.

|   |  |   |               |
|---|--|---|---------------|
| 73030SOCN-774422-4-T  |  | 211612-1  |               |
| CUSTOMER PART NO.   |  | PART NUMBER   |               |
| THIS DRAWING IS A CONTROLLED DOCUMENT.  |  | TE Connectivity Ltd.  |               |
| DIMENSIONS: INCHES<br>TOLERANCES UNLESS OTHERWISE SPECIFIED:<br>0 PLC ± -<br>1 PLC ± -<br>2 PLC ± -<br>3 PLC ± .005 [0.13]<br>4 PLC ± -<br>ANGLES ± - 40° 40° | DIM: C.C. THOMAS 12-15-00<br>CHK: S. GLATFELTER 12-15-00<br>APVD: S. GLATFELTER 12-15-00<br>PRODUCT SPEC<br>APPLICATION SPEC<br>WEIGHT<br>CUSTOMER DRAWING | NAME: RCPT ASSY, UNSEALED, SIZE 3, ARINC 600<br>SIZE: A1<br>CAGE CODE: 00779<br>DRAWING NO: 211612<br>SCALE: 1:1<br>SHEET: 1 OF 1<br>REV: D | RESTRICTED TO |

单击下面可查看定价，库存，交付和生命周期等信息

[>>TE Connectivity\(泰科\)](#)