

LOC	DIST	REVISIONS					
GP	00	P	LTN	DESCRIPTION	DATE	DWN	APVD
		D2		REVISED PER ECO-14-008091	13MAY2014	PP	SH
		D3		REVISED PER ECO-15-000306	08JAN2015	PP	SH
		D4		REVISED PER ECO-15-013454	16SEP2015	pp	SH
		E		REVISED PER ECO-19-005806	12JUN2019	IT	SH

1 MATERIAL:  
 CAGE - NICKEL SILVER ALLOY 0.25 THK.  
 EMI SPRINGS - COPPER ALLOY

2 FINISH:  
 2110304-5 CAGE - 1.27um MIN TIN OF SOLDER TAIL  
 EMI SPRINGS - 0.8um MIN MATTE TIN OVER 0.8um MIN NICKEL  
 NON-PLATED EDGES PERMISSIBLE.

3. MATES WITH SFP MSA COMPLIANT TRANSCEIVERS.

4 PADS AND VIAS CHASSIS GROUND.

5 DATUM AND BASIC DIMENSION ESTABLISHED BY CUSTOMER.

6. MINIMUM PC BOARD THICKNESS:  
 SINGLE SIDED = 1.50 mm.

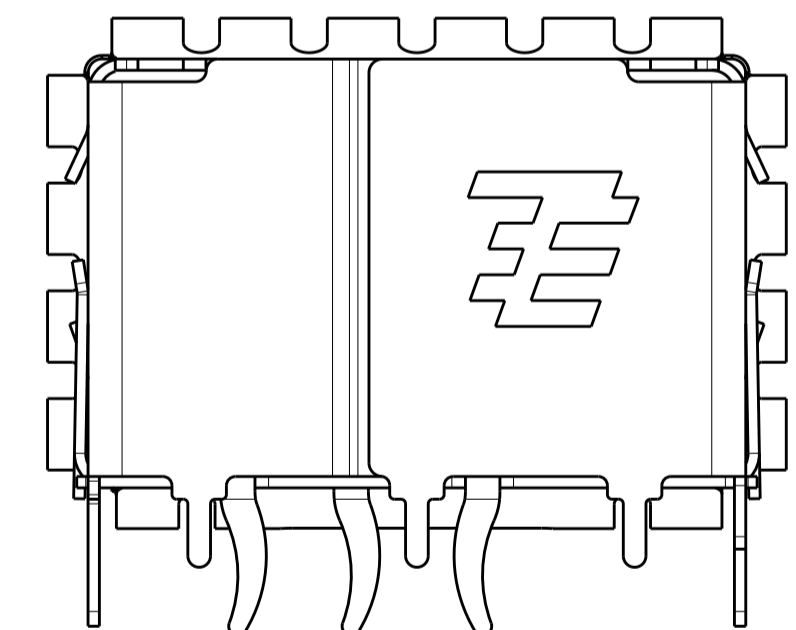
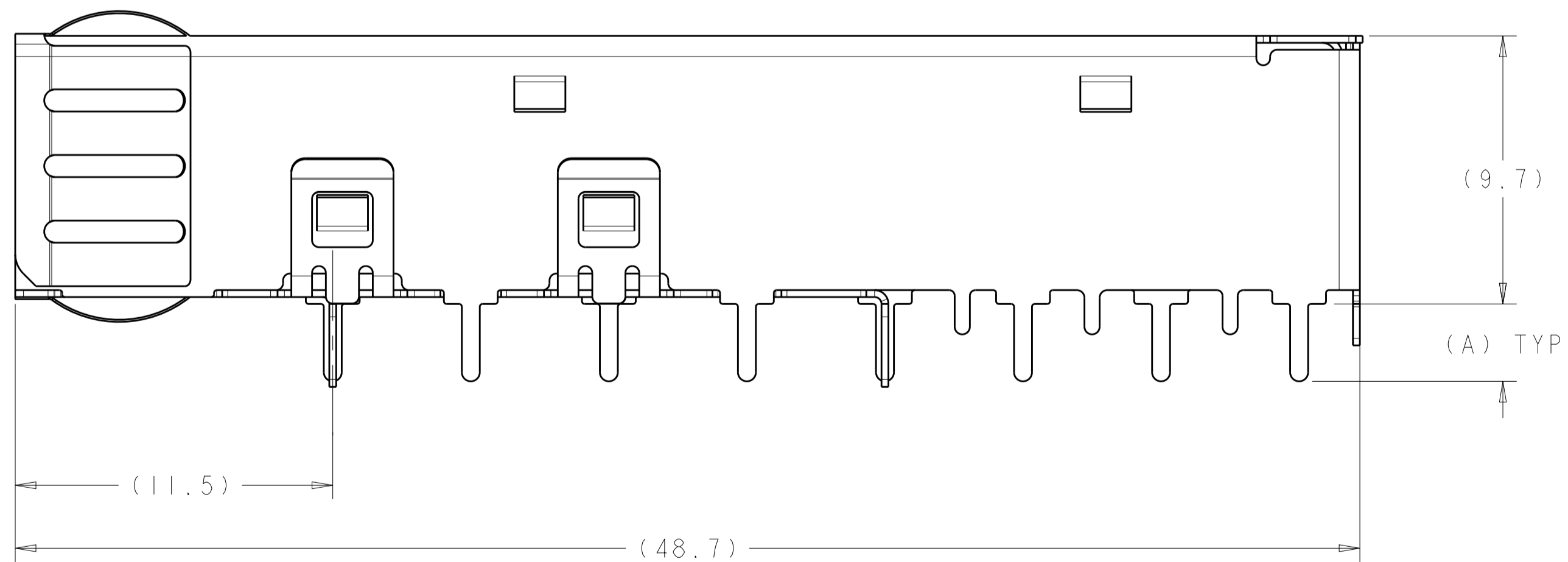
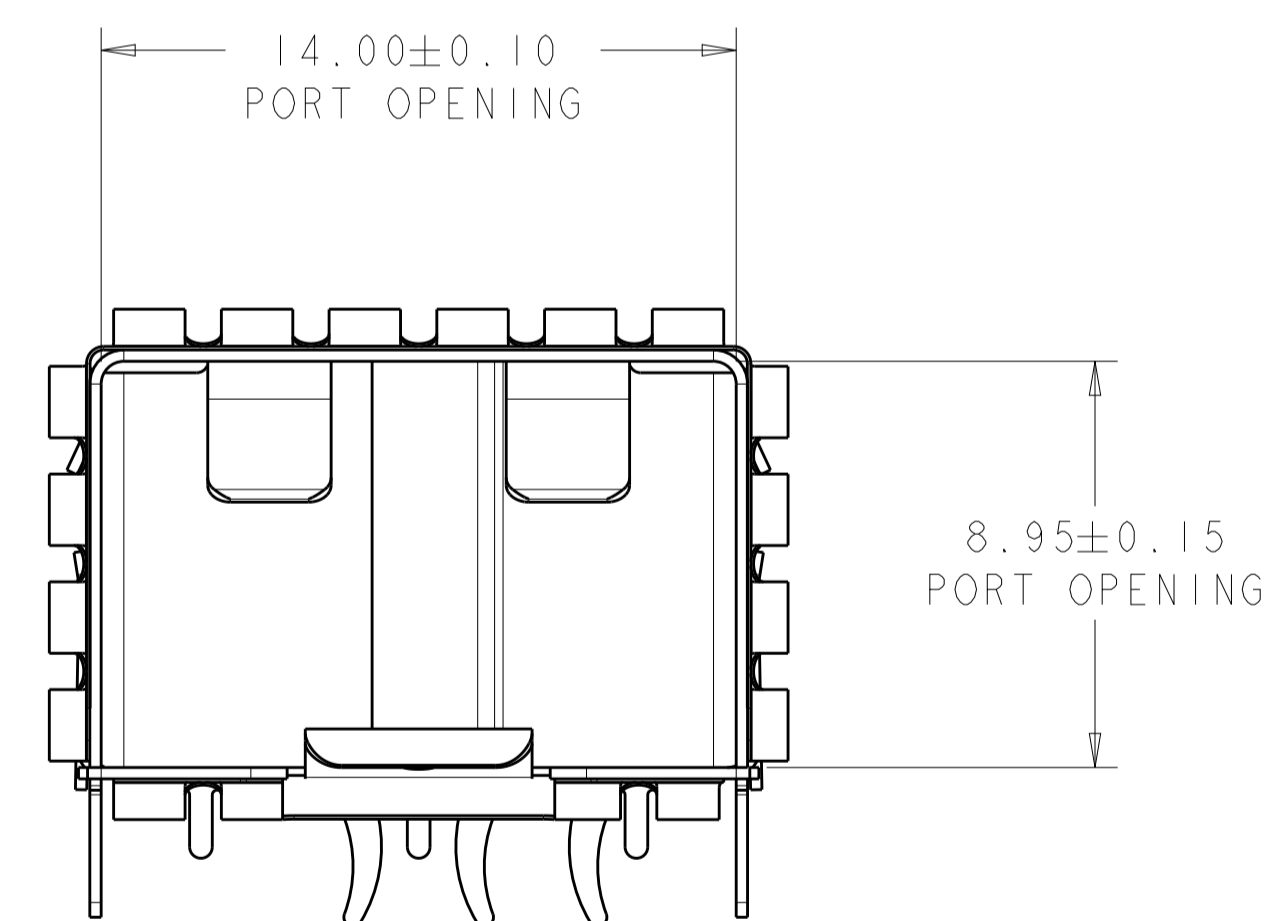
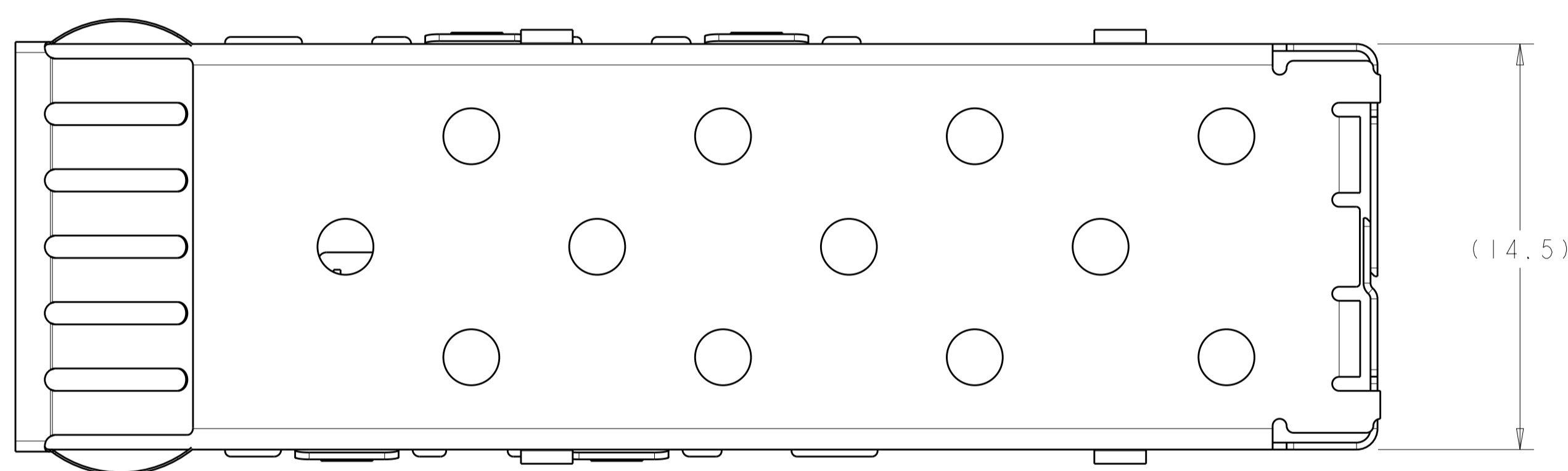
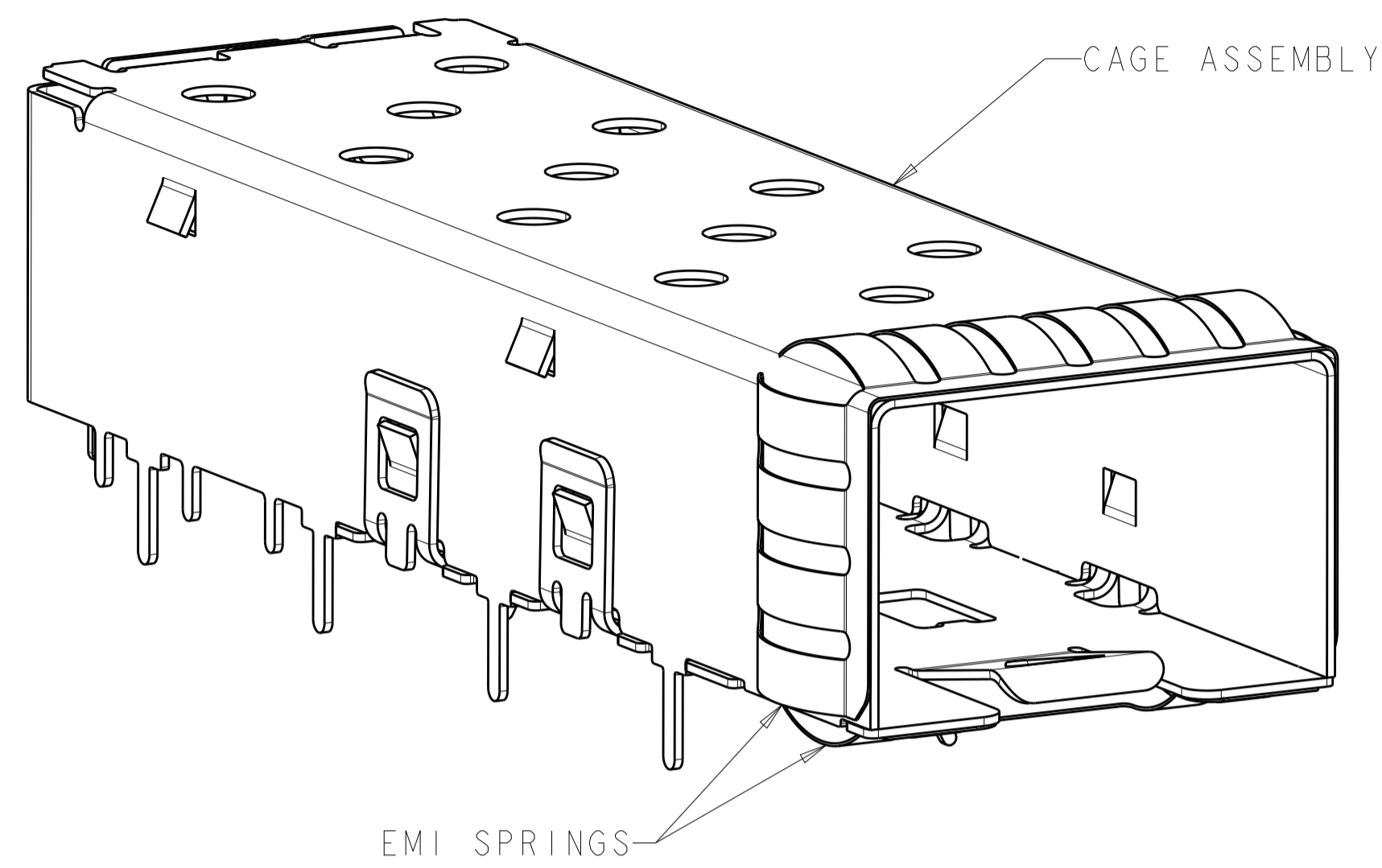
7. NOTE DELETED

8 PACKAGE TYPE IS TAPE AND REEL.

9 FOR ESD PROTECTION TAPE AND REEL PACKAGE ONLY.  
 MATERIALS(COVER TAPE,EMBOSS TAPE,REEL,INNER LABEL ON REEL) USED WITH AN EPA AREA  
 MUST PRIMARILY BE ELECTROSTATIC CONDUCTIVE OR ELECTROSTATIC DISSIPATIVE.  
 NO MATERIAL SHOULD BE CHARGED UP TO MORE THAN 100 VOLTS.

10 ALL SOLDER PIN SHOULD BE TIN DIPPED.

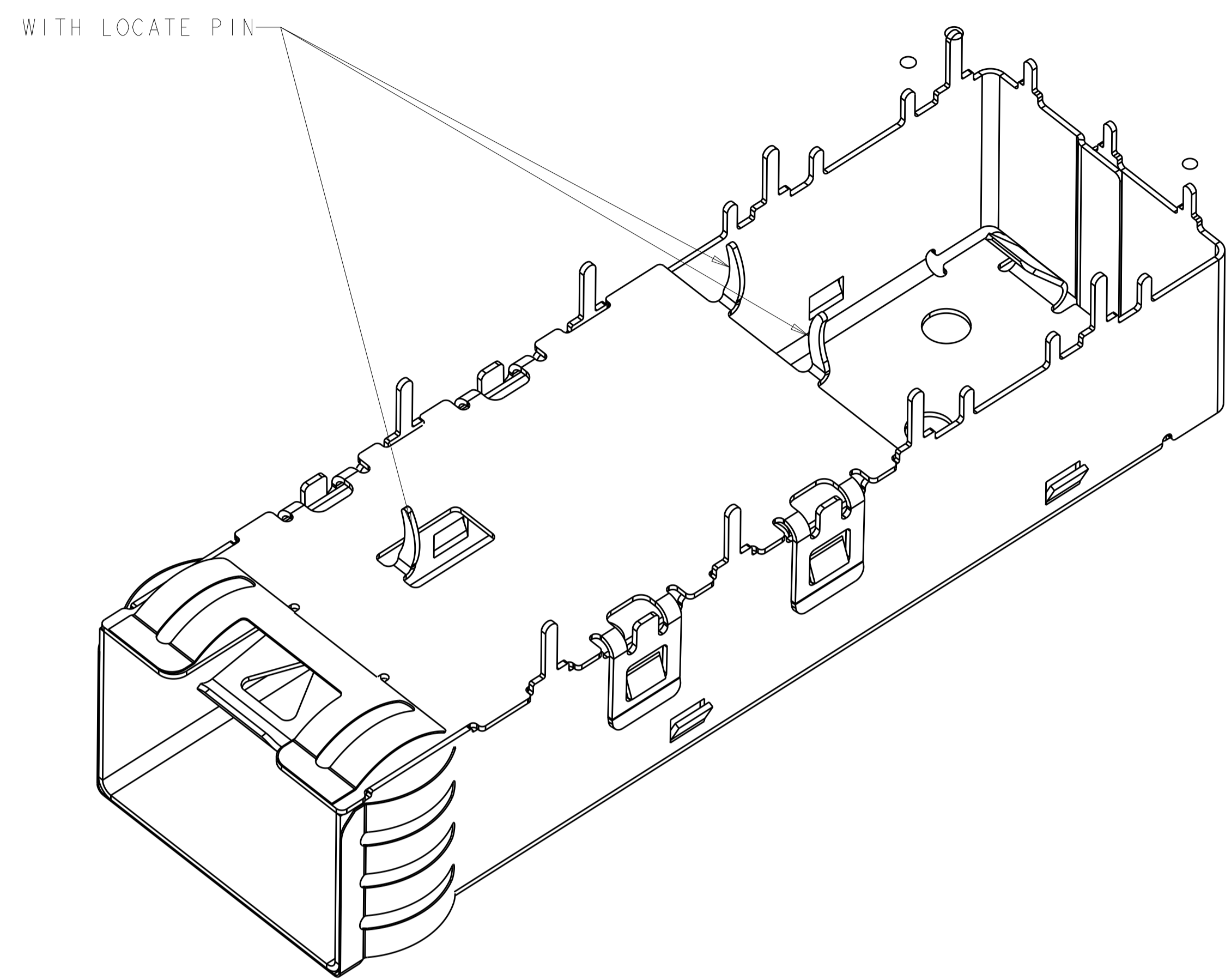
11 PACKAGE TYPE IS TAPE AND REEL WITH POCKET PITCH 24MM



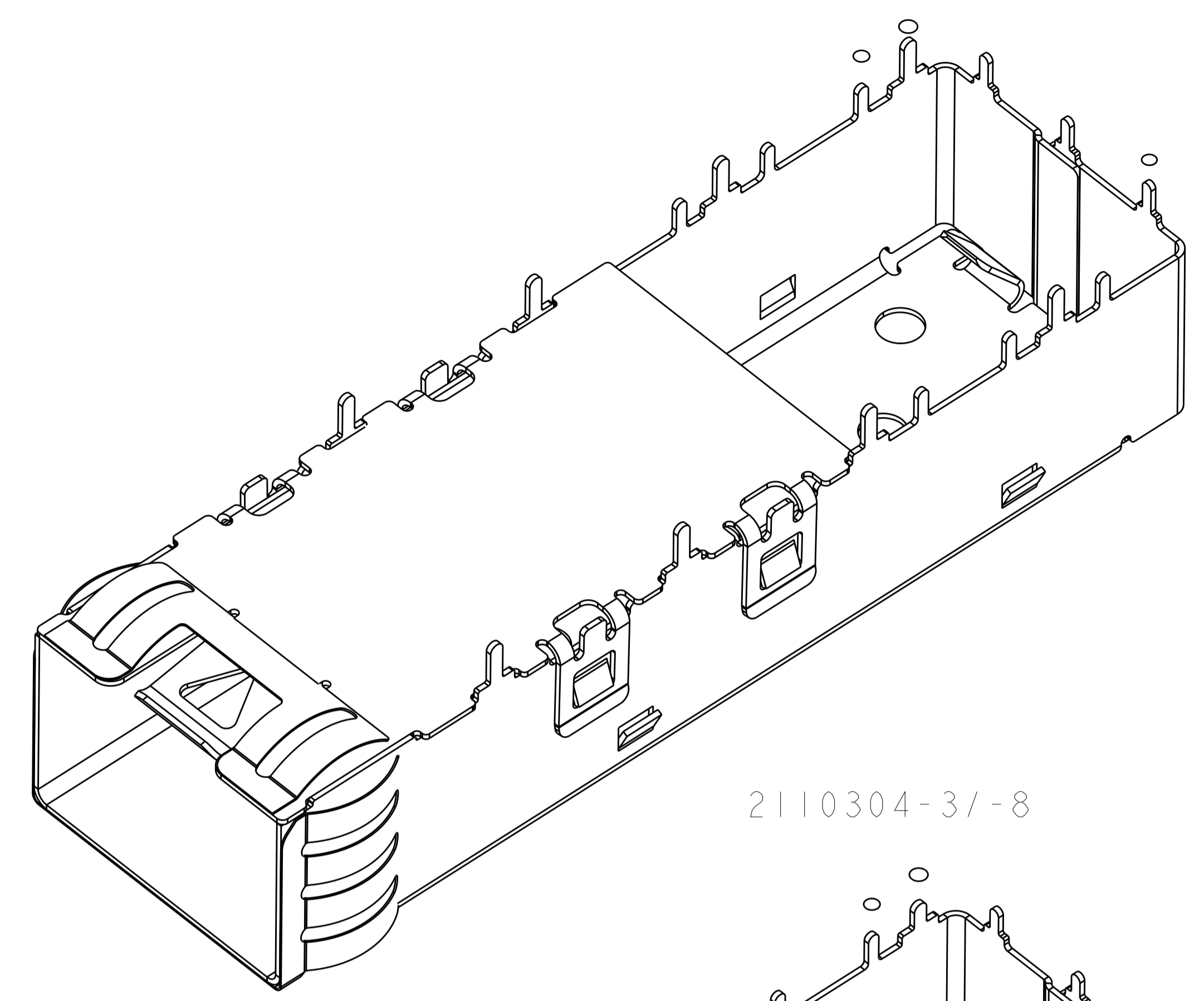
8	2.00	2110304-8
OBSOLETE	1.20	2110304-7
OBSOLETE	2.80	2110304-6
8	2.80	2110304-5
	2.00	2110304-3
	2.80	2110304-1
	DIM A	PART NUMBER

THIS DRAWING IS A CONTROLLED DOCUMENT.		DWN C. ROHLER 13FEB2009	TE Connectivity	
DIMENSIONS:		CHK M. SCHMITT 13FEB2009	NAME SFP+ IXI CAGE ASSEMBLY, SOLDER TAIL, EMI SPRINGS	
TOLERANCES UNLESS OTHERWISE SPECIFIED:		APVD B. WERTZ 13FEB2009	PRODUCT SPEC	
mm			APPLICATION SPEC	
0 PLC	±0.1		SIZE CAGE CODE DRAWING NO	
1 PLC	±0.5		RESTRICTED TO	
2 PLC	±0.5		A100779C=2110304	
3 PLC	±0.13		SCALE 6:1 SHEET 1 OF 4 REV E	
4 PLC	±0.13			
ANGLES	±0.13			
MATERIAL	FINISH	WEIGHT	Customer Drawing	

LOC		DIST		REVISIONS			
GP	00	P	LYR	DESCRIPTION	DATE	DMN	APVD
-	-	-	-	SEE SHEET 1	-	-	-

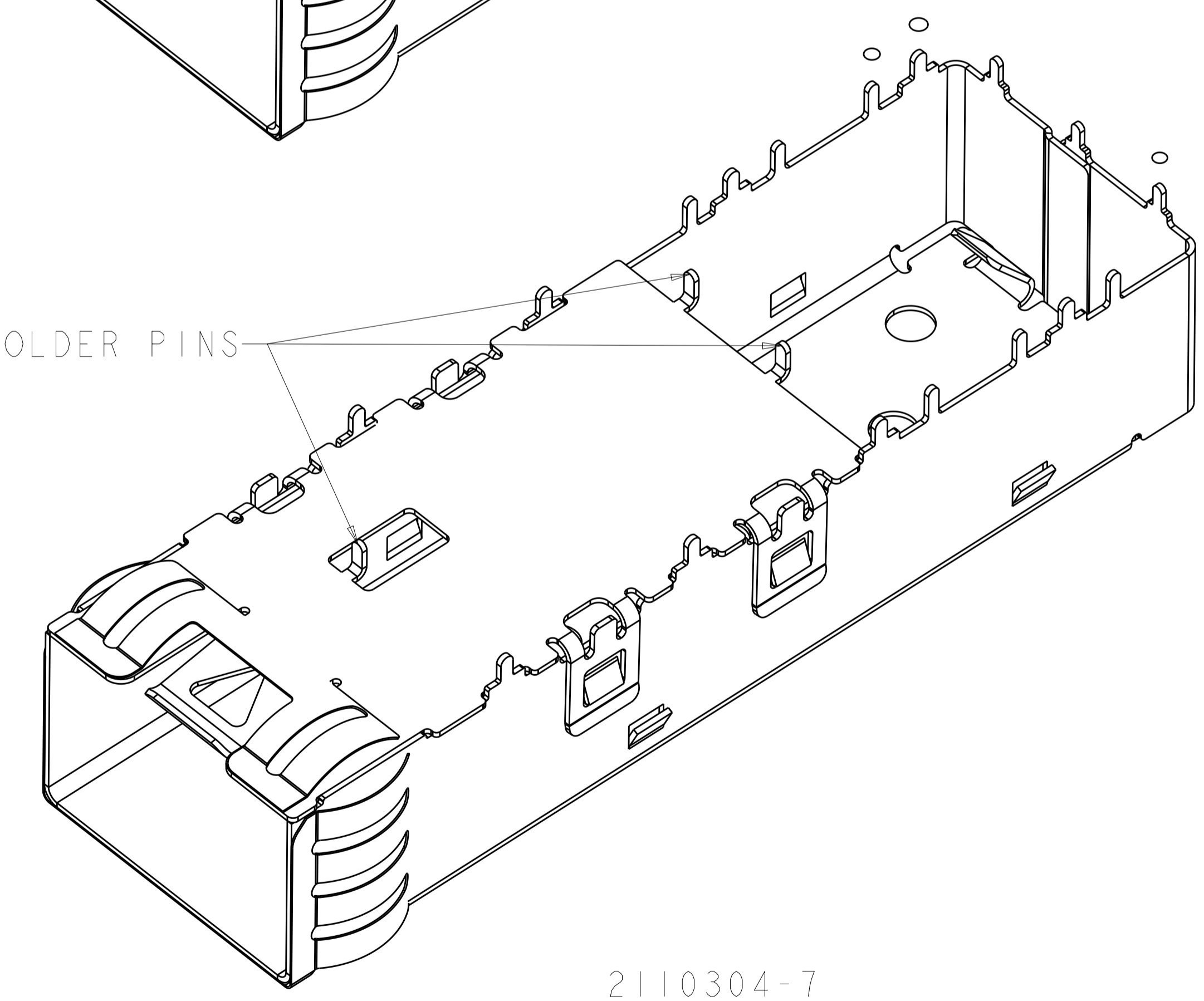


2110304-1/-5/-6

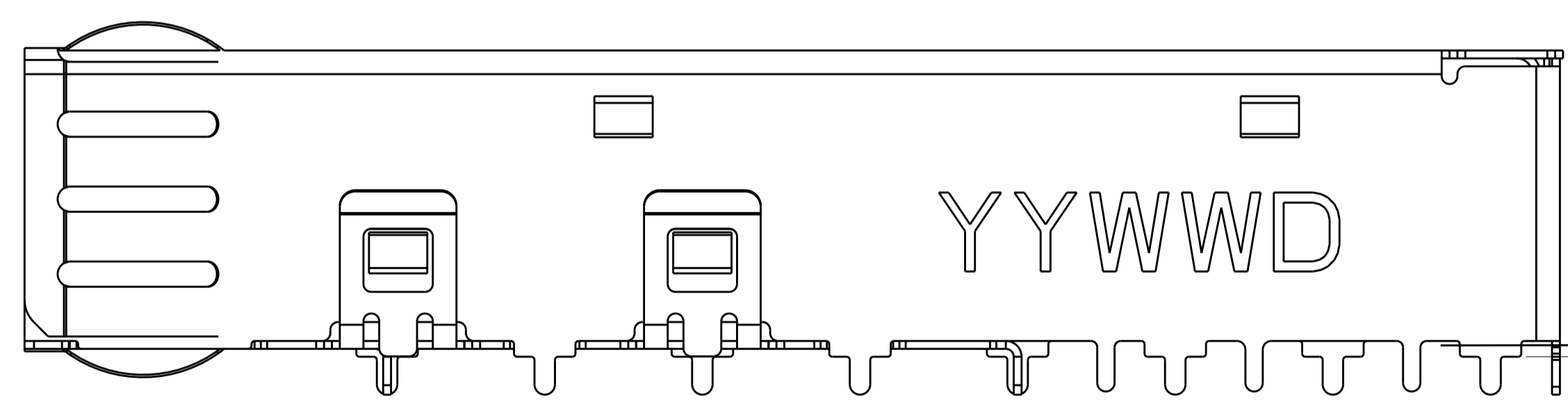


2110304-3/-8

WITH SOLDER PINS



2110304-7

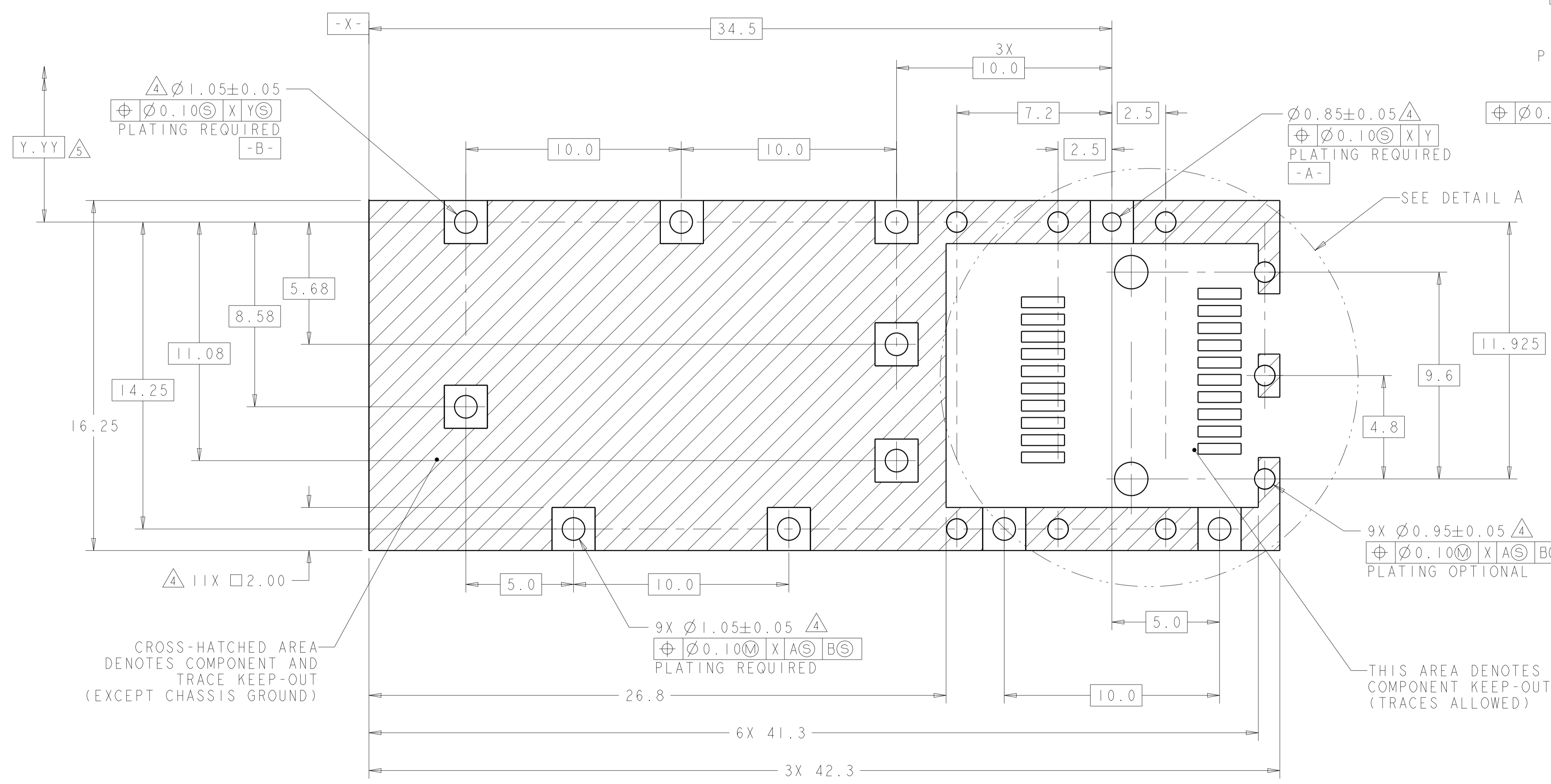
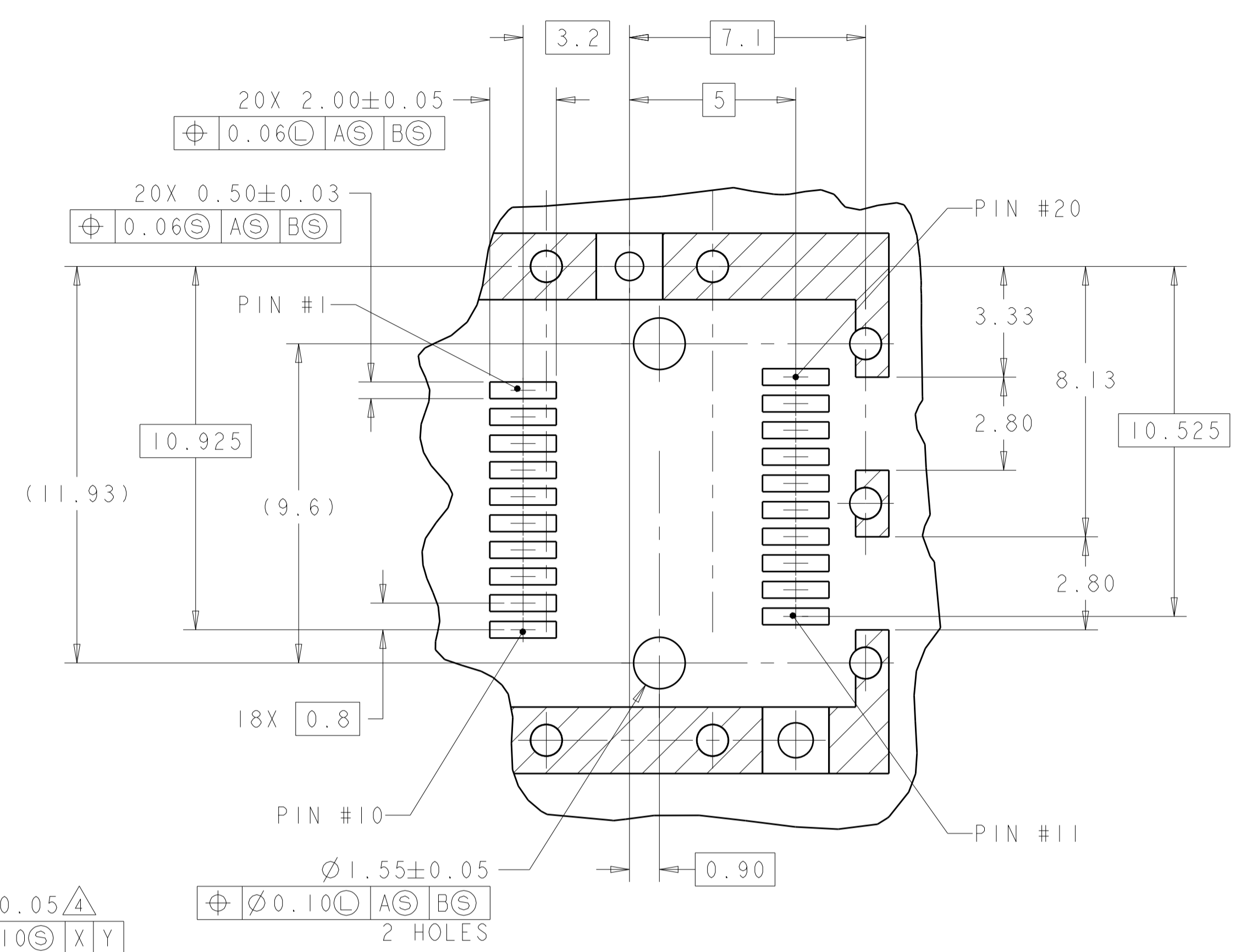
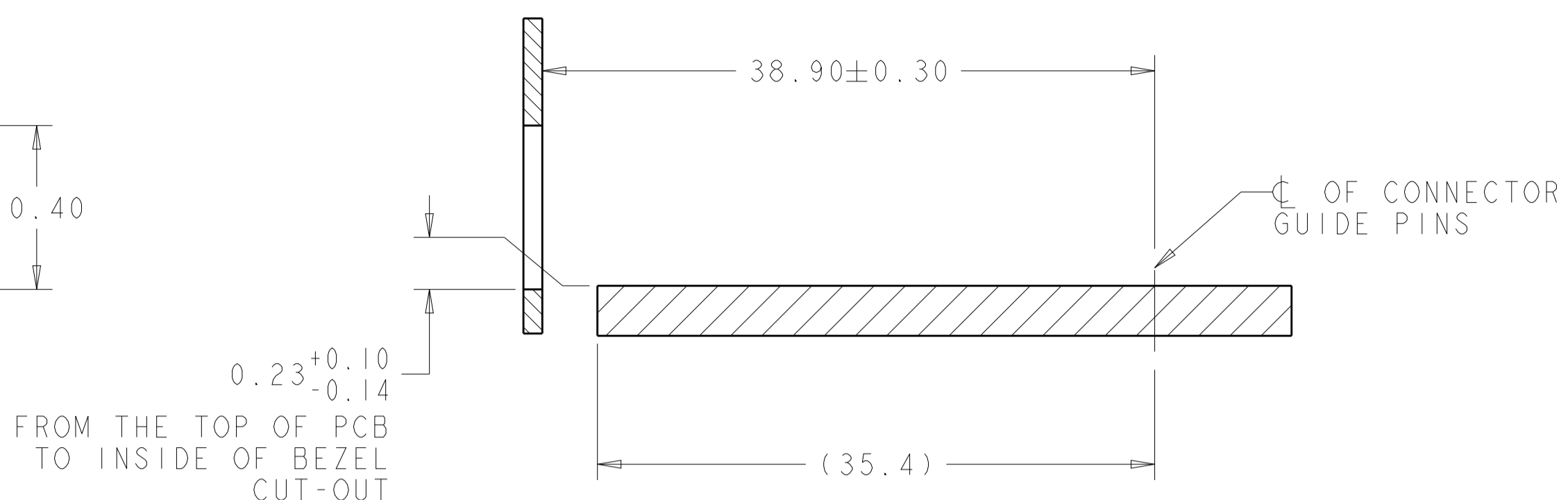
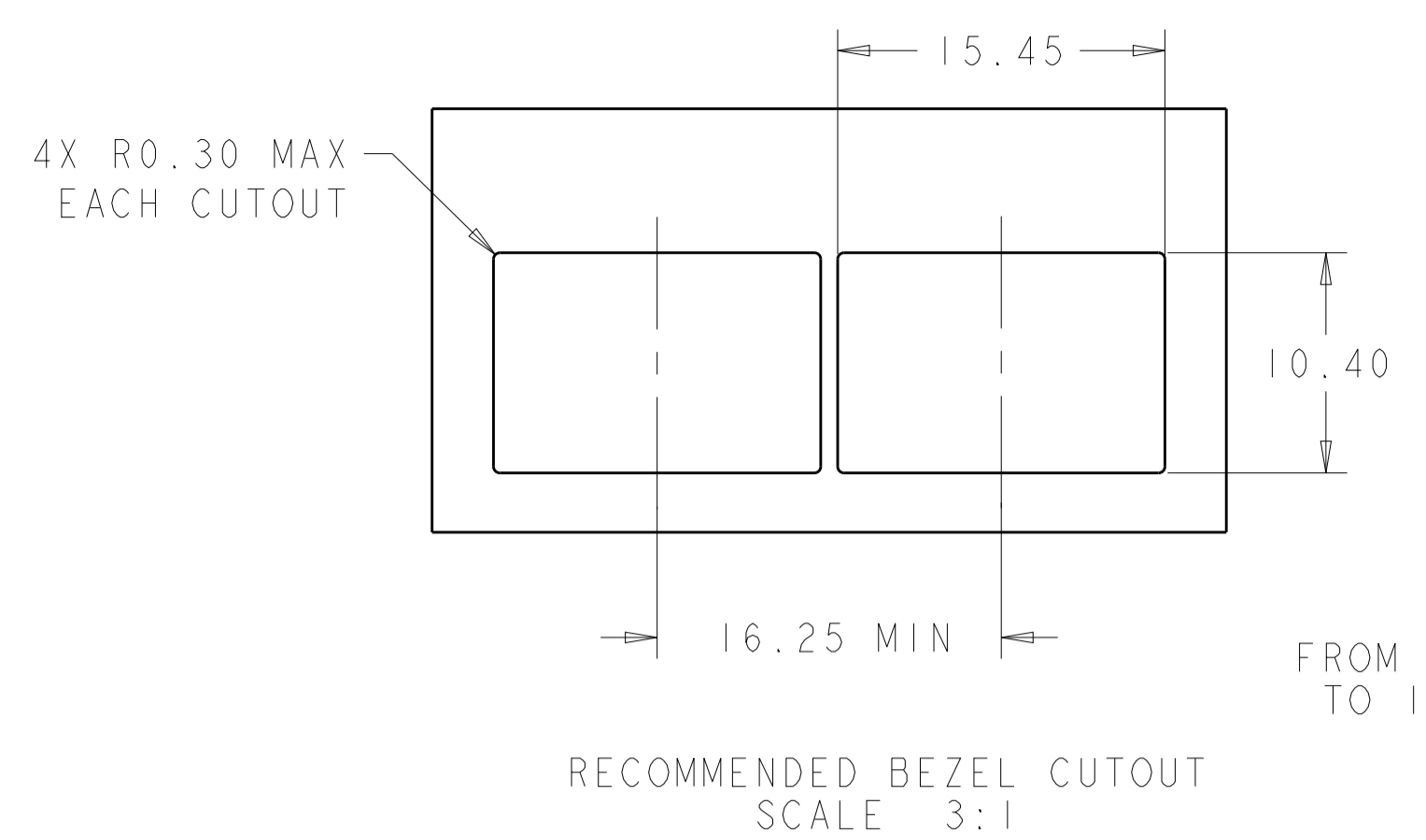


0.3MAX  
TIN DIPPED ON  
STAND OFF

2110304-7  
DISTANCE FOR TIN DIPPED ON STAND OFF

THIS DRAWING IS A CONTROLLED DOCUMENT.		DMN C. ROHLER 13FEB2009	TE Connectivity
DIMENSIONS:		CHK M. SCHMITT 13FEB2009	
mm	TOLERANCES UNLESS OTHERWISE SPECIFIED:	APVD B. WERTZ 13FEB2009	NAME SFP+ IXI CAGE ASSEMBLY, SOLDER TAIL, EMI SPRINGS
0 PLC	±0.1	PRODUCT SPEC	SIZE 114-13120
1 PLC	±0.5	APPLICATION SPEC	RESTRICTED TO
2 PLC	±0.5	WEIGHT	A100779C=2110304
3 PLC	±0.13	Customer Drawing	SCALE 6:1 SHEET 2 OF 4 REV E
4 PLC	±0.13		
ANGLES	±0.13		
MATERIAL	FINISH		

LOC	DIST	REV	DESCRIPTION	DATE	OWN	APVD
GP	00		SEE SHEET 1			



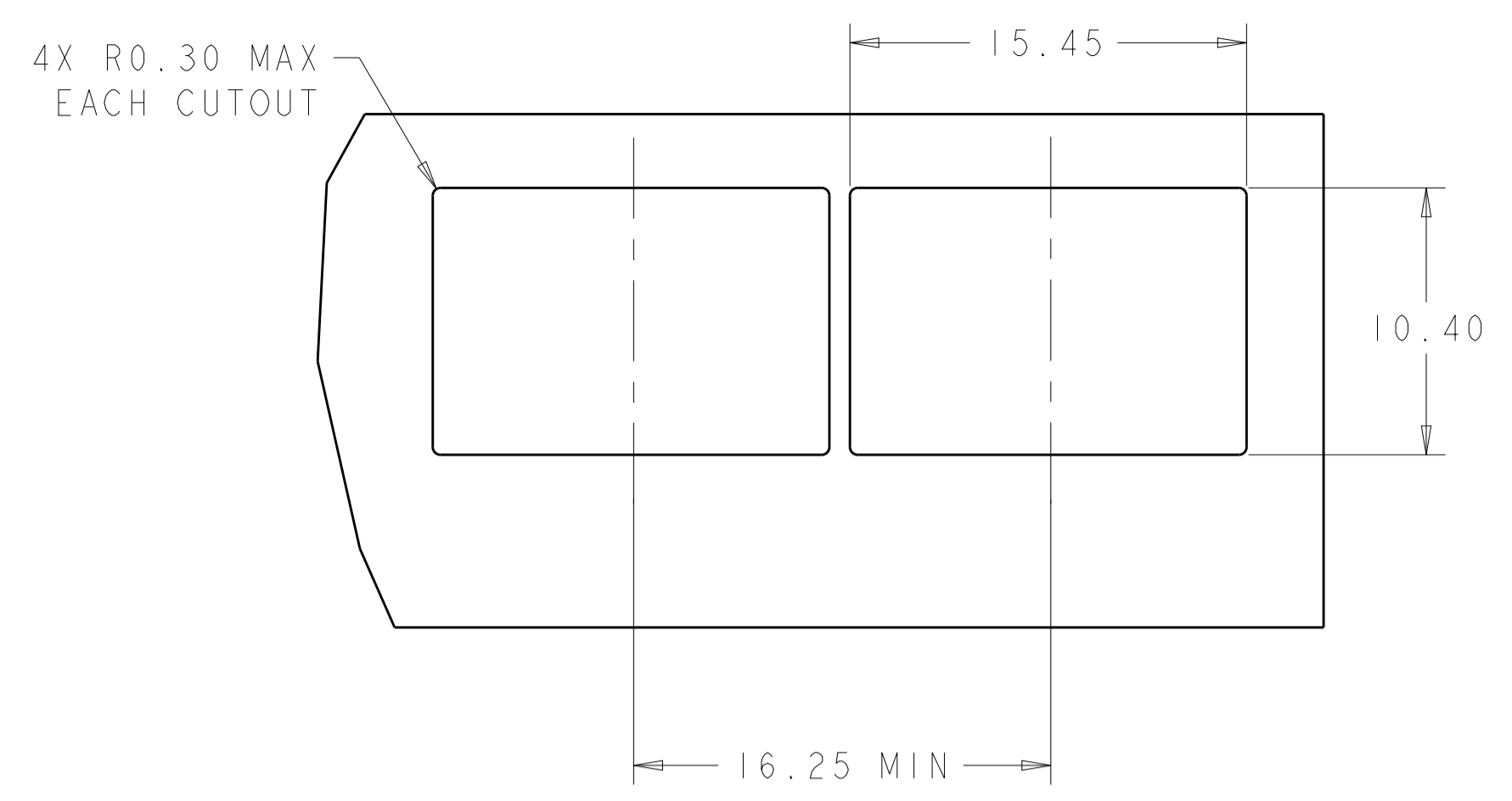
CROSS-HATCHED AREA DENOTES COMPONENT AND TRACE KEEP-OUT (EXCEPT CHASSIS GROUND)

THIS AREA DENOTES COMPONENT KEEP-OUT (TRACES ALLOWED)

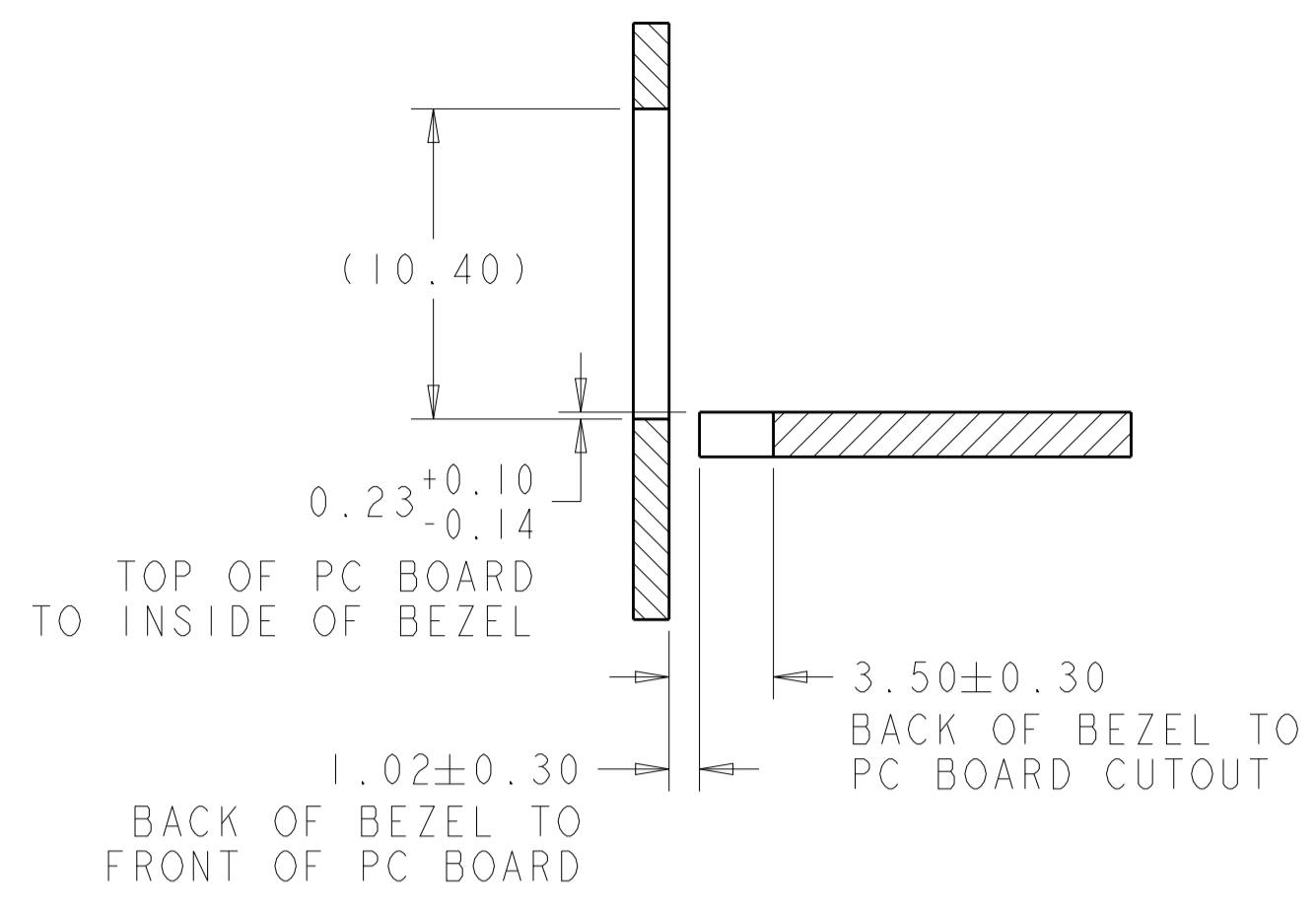
2110304-1/-5/-6/-7  
 RECOMMENDED PCB LAYOUT  
 SCALE 8:1

THIS DRAWING IS A CONTROLLED DOCUMENT.		OWN C. ROHLER 13FEB2009	TE Connectivity
DIMENSIONS: mm		CHK M. SCHMITT 13FEB2009	
TOLERANCES UNLESS OTHERWISE SPECIFIED:		APVD B. WERTZ 13FEB2009	NAME SFP+ IXI CAGE ASSEMBLY, SOLDER TAIL, EMI SPRINGS
0 PLC ±0.1 1 PLC ±0.5 2 PLC ±0.5 3 PLC ±0.13 4 PLC ±0.13 ANGLES ±0.13		PRODUCT SPEC	SIZE 114-13120
MATERIAL		APPLICATION SPEC	RESTRICTED TO
FINISH		WEIGHT	Customer Drawing
		SCALE 6:1	SHEET 3 OF 4
		REV E	

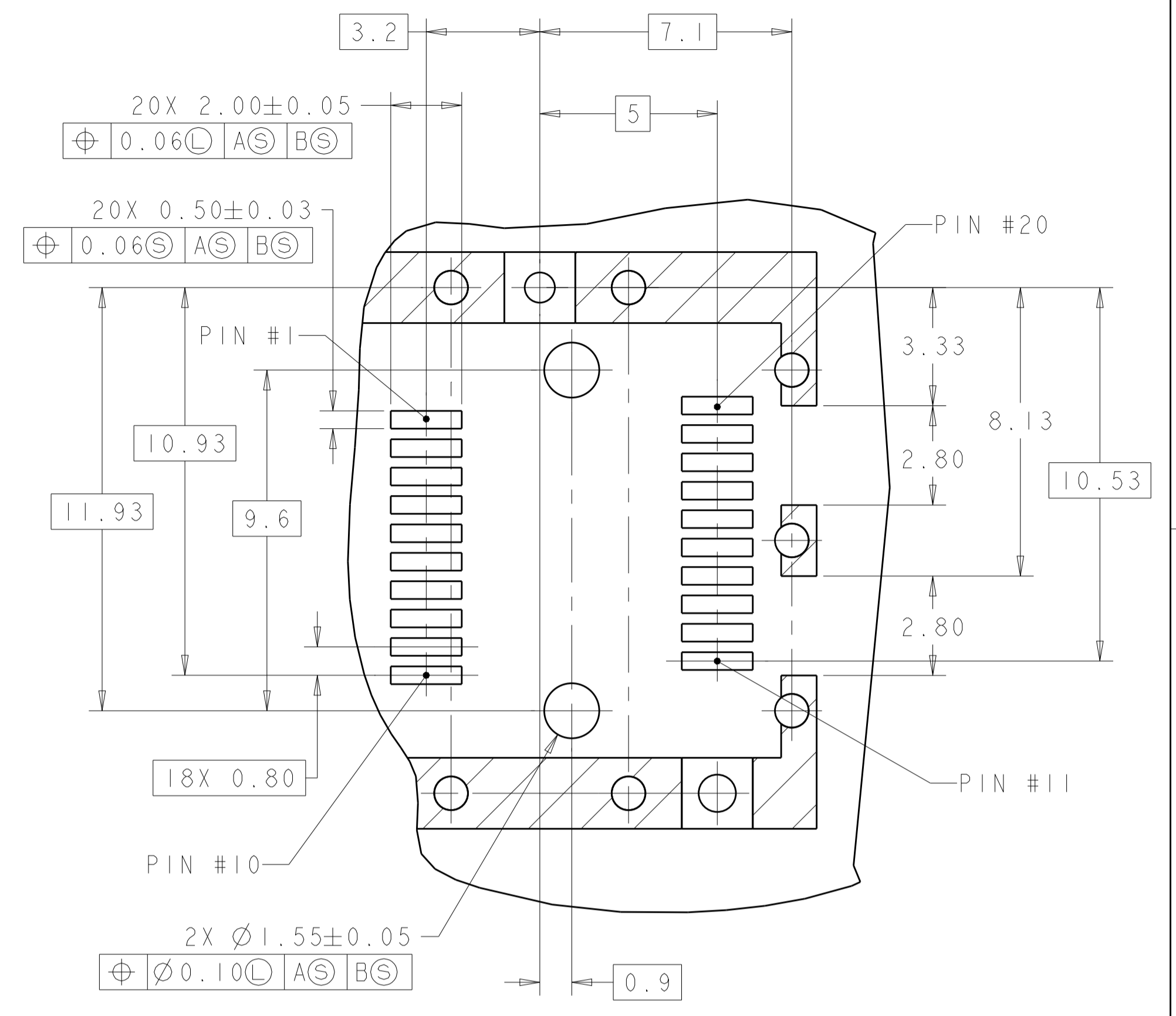
LOC	DIST	REV	DATE	APPD	REV
GP	00				
REVISIONS					
P LTH		DESCRIPTION	DATE	DMN	APPD
		SEE SHEET 1			



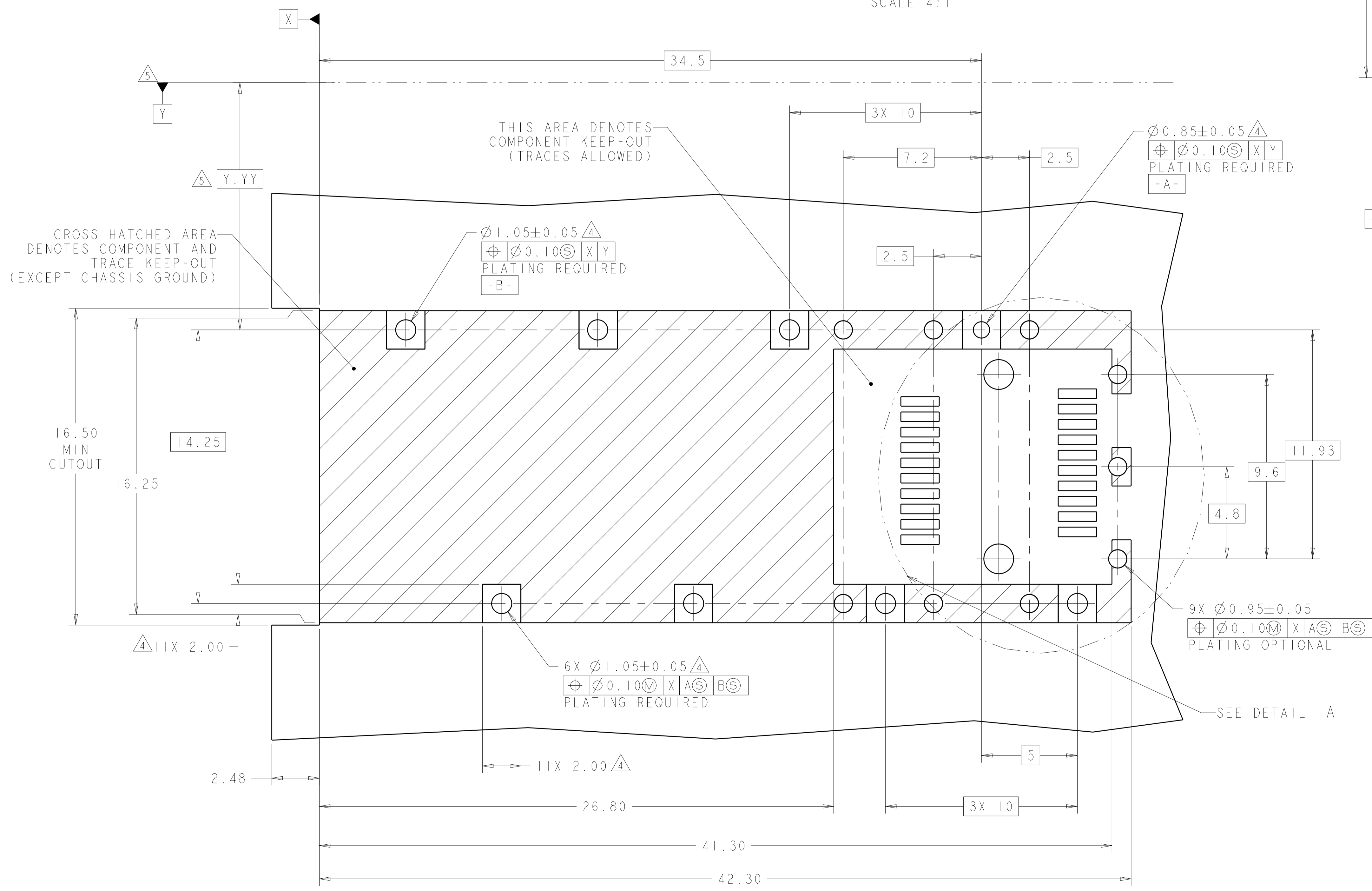
RECOMMENDED BEZEL CUTOUT  
SCALE 4:1



RECOMMENDED BEZEL AND  
PC BOARD ORIENTATION  
SCALE 4:1



DETAIL A  
SCALE 8:1



2110304-3/-8  
RECOMMENDED PCB LAYOUT  
SCALE 8:1

THIS DRAWING IS A CONTROLLED DOCUMENT.		DMN	C. ROHLER	13FEB2009	 TE Connectivity
DIMENSIONS:		CHK	M. SCHMITT	13FEB2009	
TOLERANCES UNLESS OTHERWISE SPECIFIED:		APPD	B. WERTZ	13FEB2009	NAME
mm		PRODUCT SPEC		SFP+ IXI CAGE ASSEMBLY, SOLDER TAIL, EMI SPRINGS	
0 PLC ±0.1		APPLICATION SPEC		SIZE	
1 PLC ±0.5		114-13120		CAGE CODE DRAWING NO	
2 PLC ±0.5		WEIGHT		RESTRICTED TO	
3 PLC ±0.13		Customer Drawing		A100779C=2110304	
4 PLC ±0.13		SCALE		SHEET 4 OF 4	
ANGLES ±0.13		1:1		REV E	
FINISH					

单击下面可查看定价，库存，交付和生命周期等信息

[>>TE Connectivity\(泰科\)](#)