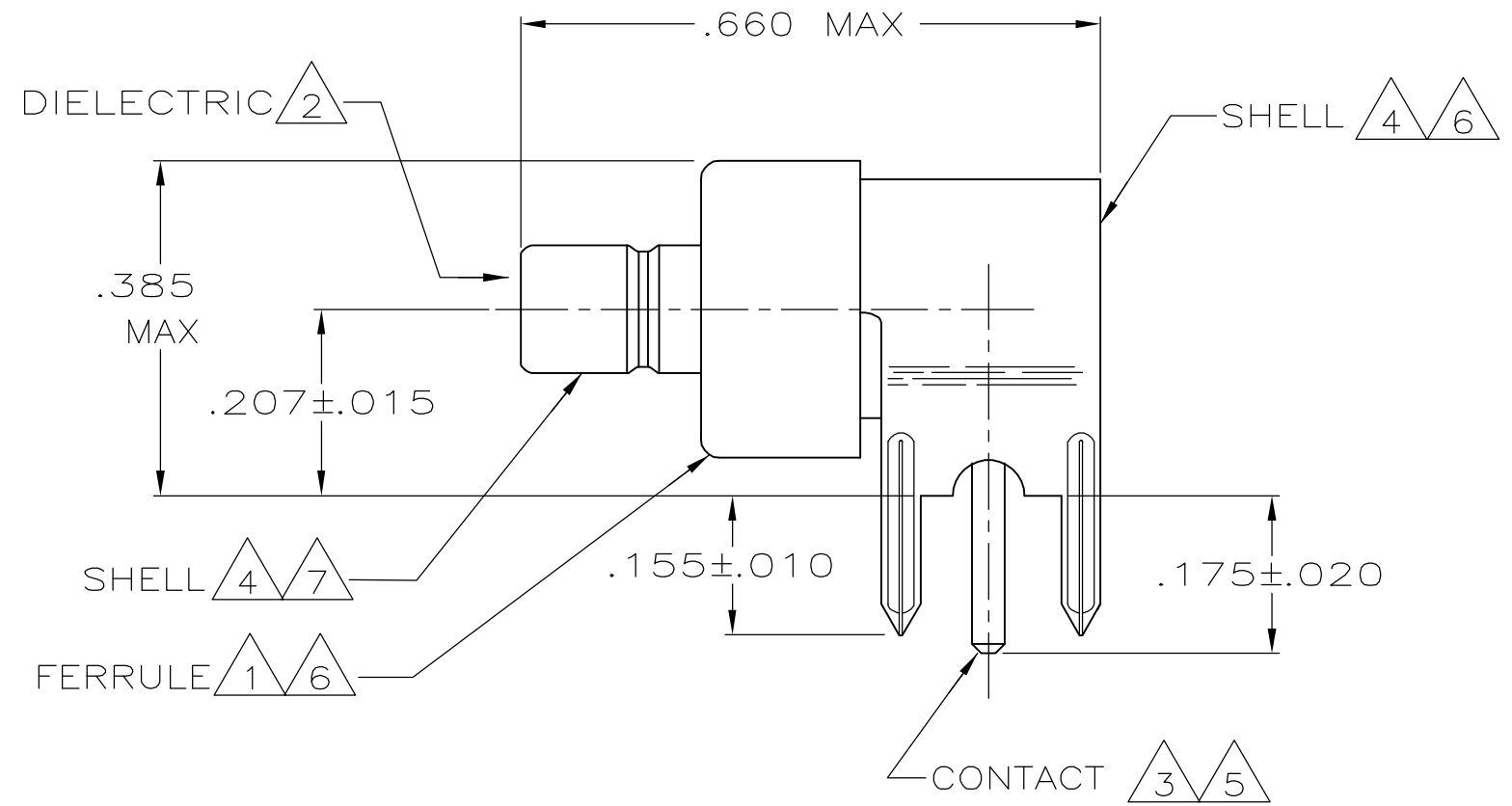


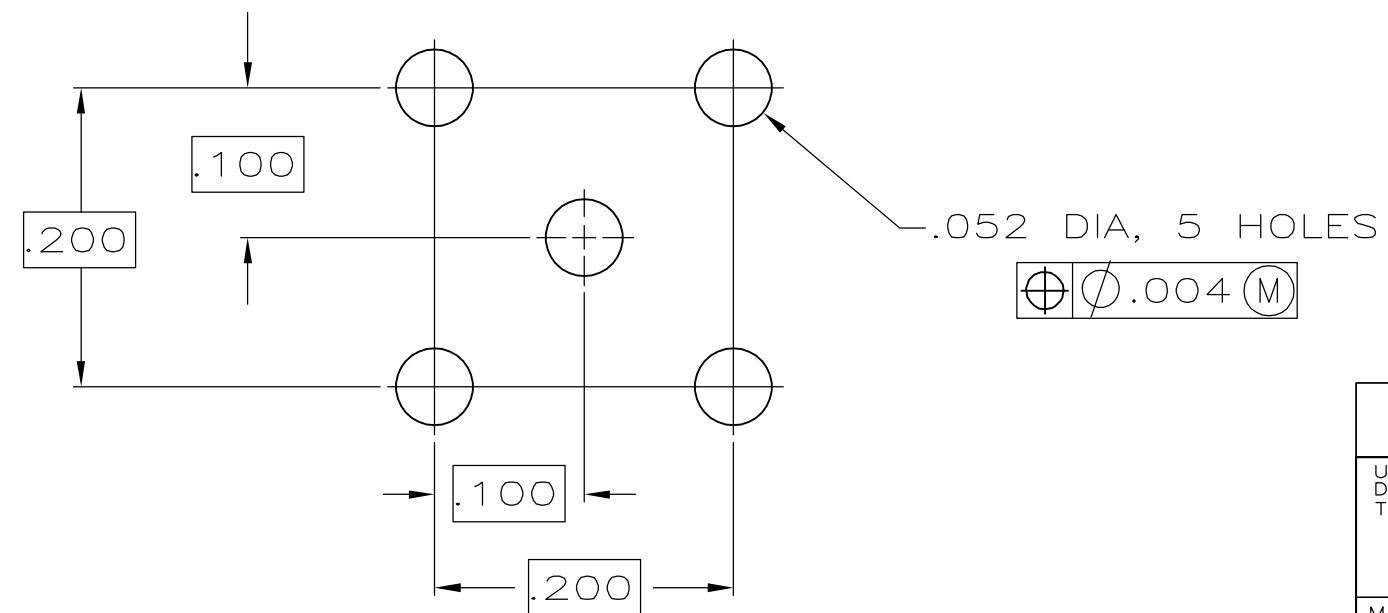
DRAWING MADE IN THIRD ANGLE PROJECTION

THIS DRAWING IS UNPUBLISHED. RELEASED FOR PUBLICATION  
 © COPYRIGHT 19 BY AMP INCORPORATED, HARRISBURG, PA. ALL INTERNATIONAL RIGHTS RESERVED. AMP PRODUCTS MAY BE COVERED BY U.S. AND FOREIGN PATENTS AND/OR PATENTS PENDING.

MOD	LOC	DIST	P	F	ZONE	LTR	DESCRIPTION	DATE	APPROVED
13	AJ	16				B	REVISED PER AJ-1969.	7-1-86	DH
			✓	✓		C	REV'D PER OS14-0380-04.	14SEP04	JGH



- 1 COPPER PER ASTM B 152.
- 2 POLYPROPYLENE, GENERAL PURPOSE.
- 3 BRASS PER ASTM B 16.
- 4 BRASS PER ASTM B 36.
- 5 GOLD PLATE PER ASTM B 488.
- 6 TIN PLATE PER ASTM B 545.
- 7 NICKEL PLATE PER QQ-N-290.
- 8. BOARD THICKNESS: .125 MAX.



REQUIRED PCB HOLE CONFIGURATION  
 SCALE 8:1

UNLESS OTHERWISE SPECIFIED DIMENSIONS ARE IN INCHES TOLERANCES ON:		DR J. HAVENER 14SEP2004		228435-1	
2 PL DEC ±		CHK J. HAVENER 14SEP2004		PART NO	
3 PL DEC ± .002		APPD J. HAVENER 14SEP2004		AMP INCORPORATED Harrisburg, Pa. 17105	
ANGLES ±		APPD -		NAME JACK, RIGHT ANGLE, PCB, COMMERCIAL SMB	
MATERIAL 1 THRU 4		PRODUCT SPEC		SIZE B	
FINISH 5 6 7		APPLICATION SPEC		FSCM NO 00779	
		WEIGHT		DRAWING NO 228435-1	
				SCALE 5:1	
				SHEET 1 OF 1	

单击下面可查看定价，库存，交付和生命周期等信息

[>>TE Connectivity\(泰科\)](#)