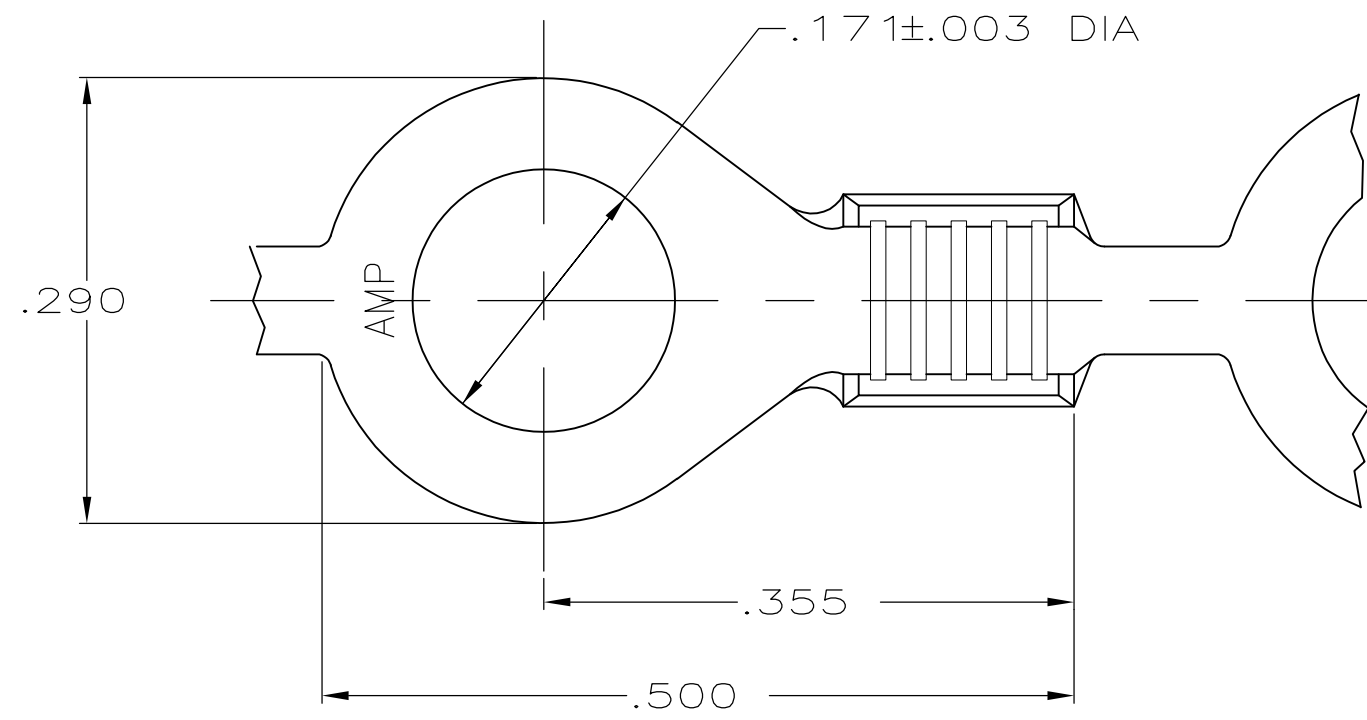
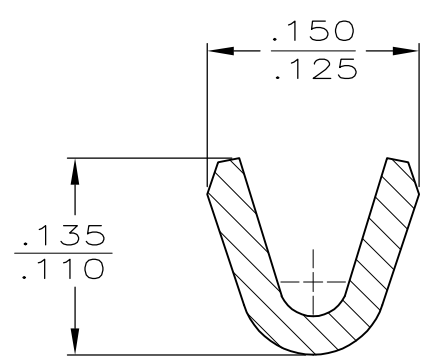
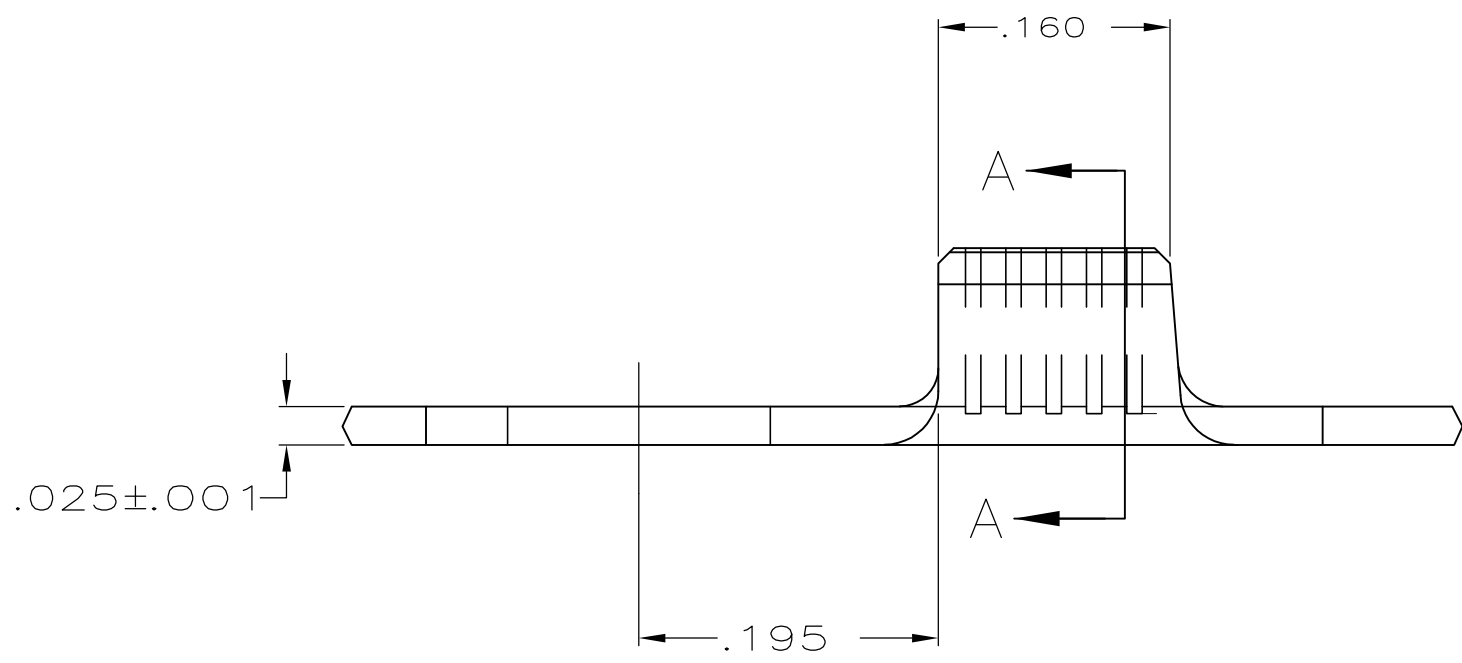


THIS DRAWING IS UNPUBLISHED. RELEASED FOR PUBLICATION
 © COPYRIGHT - By TYCO ELECTRONICS CORPORATION. ALL RIGHTS RESERVED.

LOC	DIST	REVISIONS					
AF	50	P	LTR	DESCRIPTION	DATE	DWN	APVD
		D		REVISE PER ECR-13-013738	15FEB2014	GRZ	JL



△ .000080 MIN TIN PL PER MIL-T-10727.



SECTION A-A

△	22-18	63446-2
—	22-18	63446-1
FINISH	WIRE SIZE	PART NUMBER

THIS DRAWING IS A CONTROLLED DOCUMENT.		DWN	12/11/86	STE TE Connectivity		
		D HOLLINGSWORTH				
DIMENSIONS: INCHES		CHK	1/6/87	NAME RING,AMPLIVAR		
TOLERANCES UNLESS OTHERWISE SPECIFIED:		G YETTER				
0 PLC ± -		APVD	1/6/87	PRODUCT SPEC -		
1 PLC ± -		- R FRANTZ	T SHUTTER			
2 PLC ± -		APPLICATION SPEC		SIZE A3		
3 PLC ± .015		-				
4 PLC ± -		-		DRAWING NO C-63446		
ANGLES ± -		-				
MATERIAL BRASS		FINISH SEE TABLE		SCALE 8:1		
		WEIGHT -				
		CUSTOMER DRAWING		REV D		

单击下面可查看定价，库存，交付和生命周期等信息

[>>TE Connectivity\(泰科\)](#)