

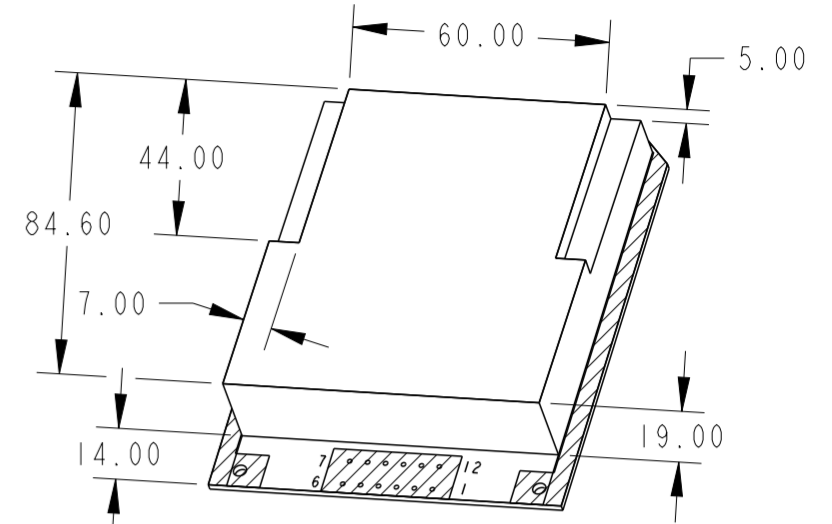
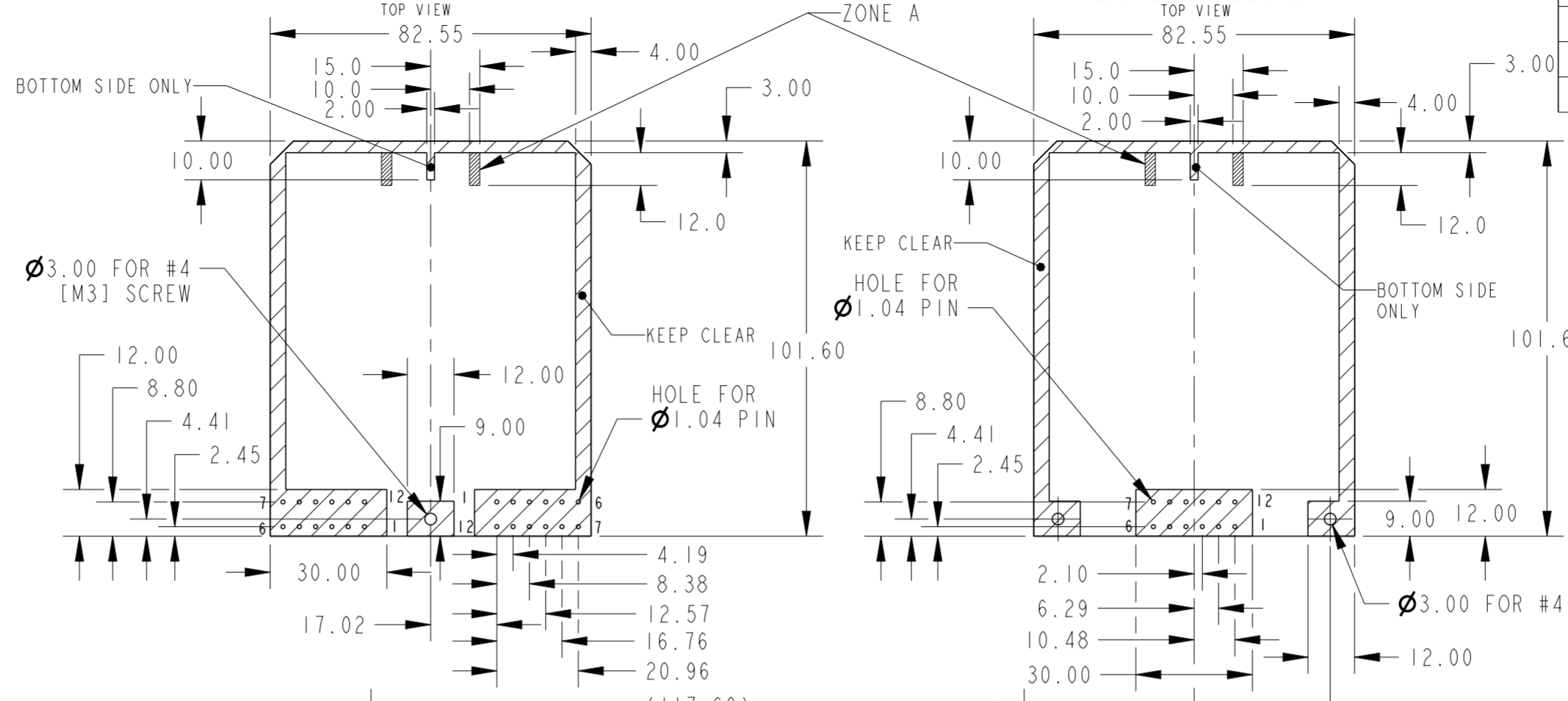
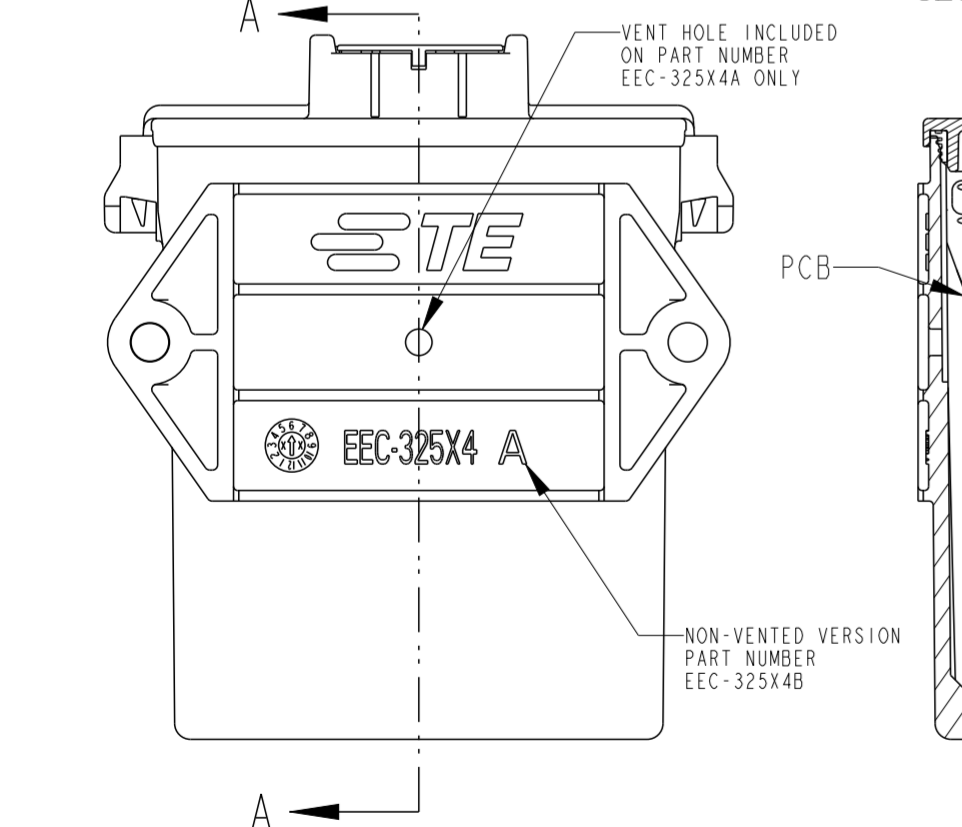
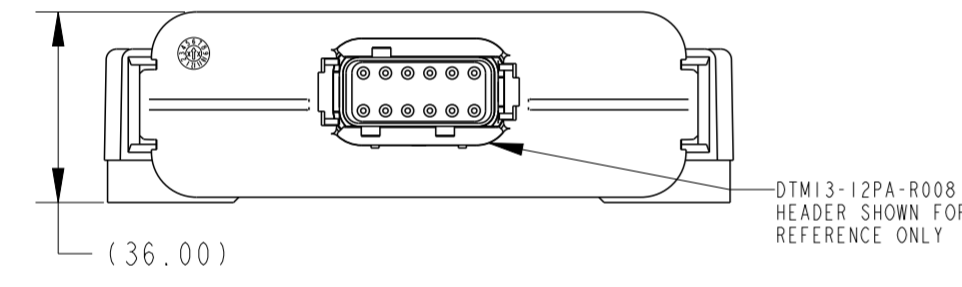
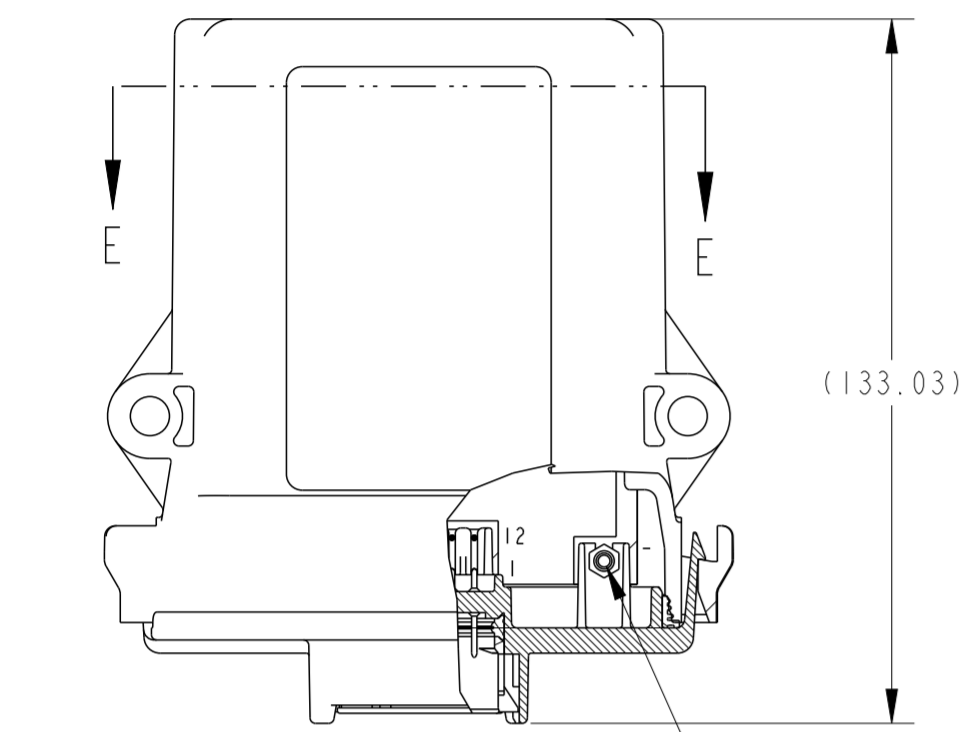
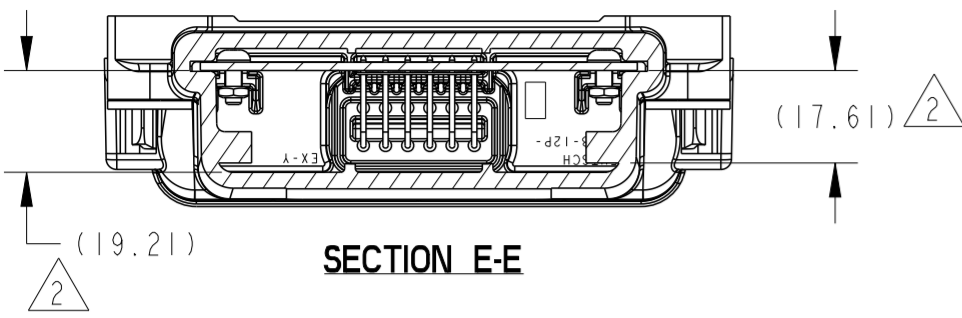
CIRCUIT BOARD HOLE LOCATIONS AND KEEP CLEAR AREAS FOR
DTM13-12PX-12PX-R008
DTM13-12PX-12PX-GR01
ALL DIMENSIONS REFERENCE
TOP VIEW

CIRCUIT BOARD HOLE LOCATIONS AND KEEP CLEAR AREAS FOR
DTM13-12PX-R008
DTM13-12PX-GR01
ALL DIMENSIONS REFERENCE
TOP VIEW

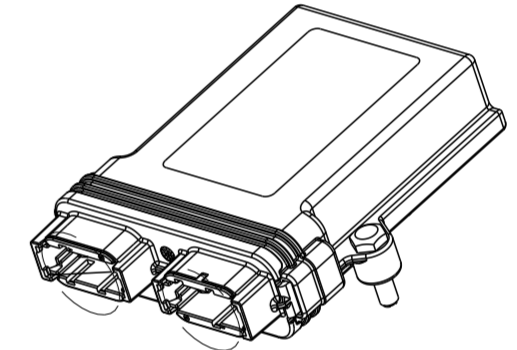
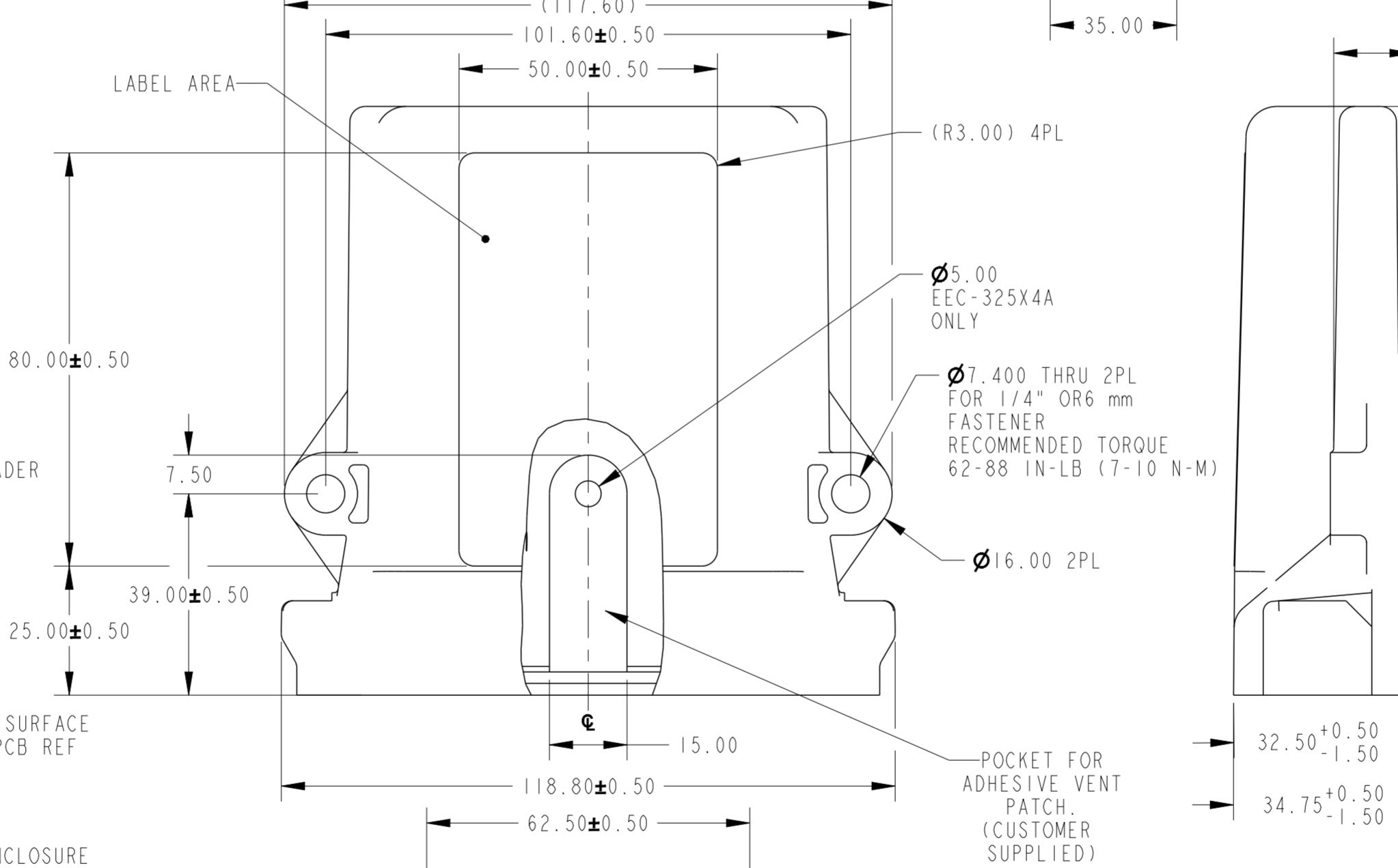
REVISIONS

P	LTR	DESCRIPTION	DATE	DWN	APVD
F	I	REVISED PER PCN E-20-002881	05MAR2020	CO	IG
G		REVISED PER PCN E-20-012817	07OCT2020	SM	IG
H		REVISED PER PCN E-21-003960	05APR2021	DM	CB
HI		REVISED PER PCN E-21-004230	09APR2021	AP	IG

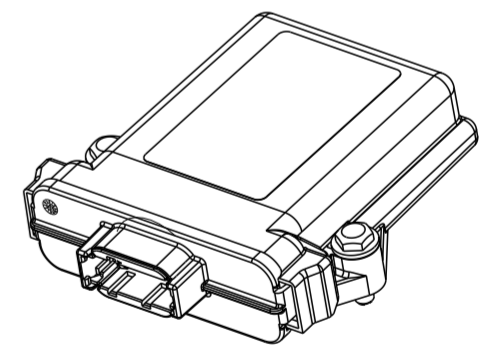
ASSEMBLED HEADER SHOWN FOR REFERENCE



THREE DIMENSIONAL SPACE LIMIT
APPROXIMATE INTERNAL SPACE FOR COMPONENT SPACE LAYOUT
MAX. COMPONENT HEIGHT UNDER BOARD 2.00 mm.
WITH EXCEPTION OF NOTED ZONE A WHERE THE MAX COMPONENT HEIGHT UNDER BOARD IS 1.65mm.



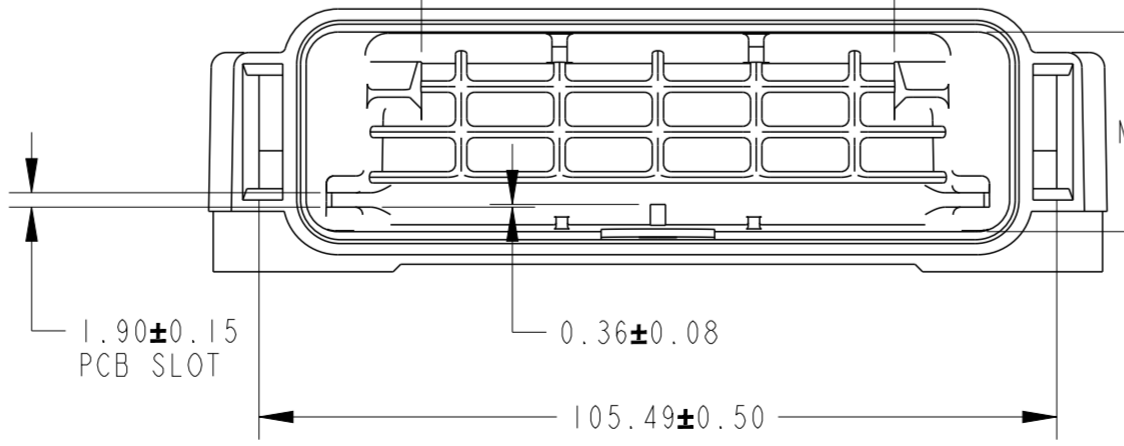
3D VIEW
DTM13-12PX-12PX-R008 AND DTM13-12PX-12PX-GR01 HEADER AND MOUNTING HARDWARE SHOWN FOR REFERENCE



3D VIEW
DTM13-12PX-R008 AND DTM13-12PX-GR01 HEADER AND MOUNTING HARDWARE SHOWN FOR REFERENCE

- 3 MEASUREMENT SHOULD BE TAKEN FROM THE BOTTOM.
- 2 MAXIMUM COMPONENT HEIGHT DEPENDS ON LOCATION DUE TO PART DRAFT RIBS.

NOTES:
1. THIS ENCLOSURE MATES WITH DTM13-12PX-R008 (Ni PINS); DTM13-12PX-GR01 (Au PINS); DTM13-12PX-12X-R008 (Ni PINS); DTM13-12PX-12PX-GR01 (Au PINS) HEADER (X = A,B,C,D KEYS).



THIS DRAWING IS A CONTROLLED DOCUMENT.

DIMENSIONS:	TOLERANCES UNLESS OTHERWISE SPECIFIED:
mm	0 PLC ±
	1 PLC ±
	2 PLC ±0.25
	3 PLC ±
	4 PLC ±
	ANGLES ±
	FINISH ±
MATERIAL	PA66 GF15
	BLACK

DWN	C. WOODRUFF	25APR2000
CHK	B. BYFORD	29MAY2012
APVD	S. BEARD	23MAY2012
PRODUCT SPEC	108-151010	
APPLICATION SPEC		
WEIGHT	140 GR	
CUSTOMER DRAWING		

TE INTERNAL PN	DEUTSCH PN	KEY
EEC-325X4A	EEC-325X4A	HOLE
EEC-325X4B	EEC-325X4B	NO HOLE

TE Connectivity	
NAME	PCB ENCLASURE SHOWN WITH 12 AND 24 PIN HEADER VENTED AND NON-VENTED DTM SERIES
SIZE	A2
CAGE CODE	111139
DRAWING NO	EEC-325X4A EEC-325X4B
RESTRICTED TO	
SCALE	1:1
SHEET	OF
REV	HI

单击下面可查看定价，库存，交付和生命周期等信息

[>>TE Connectivity\(泰科\)](#)