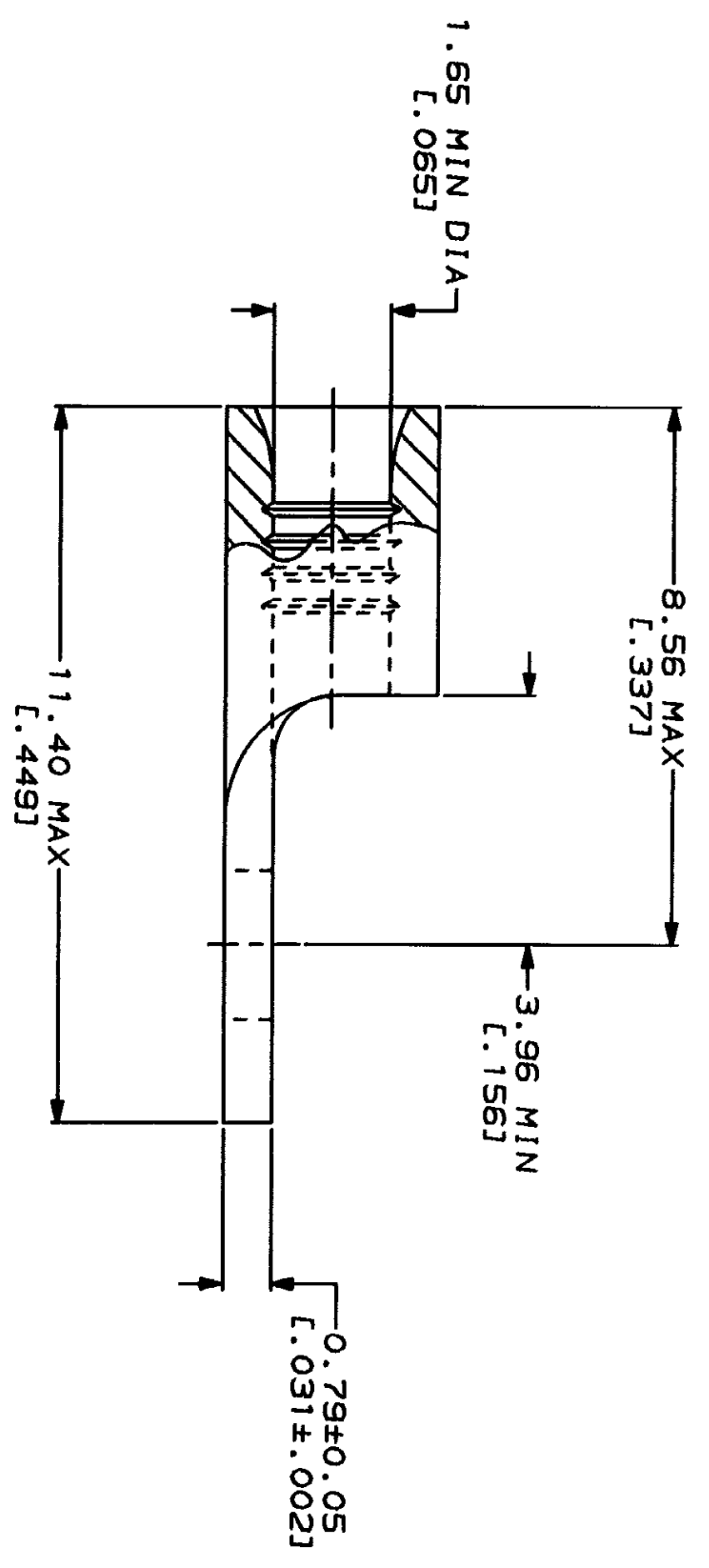
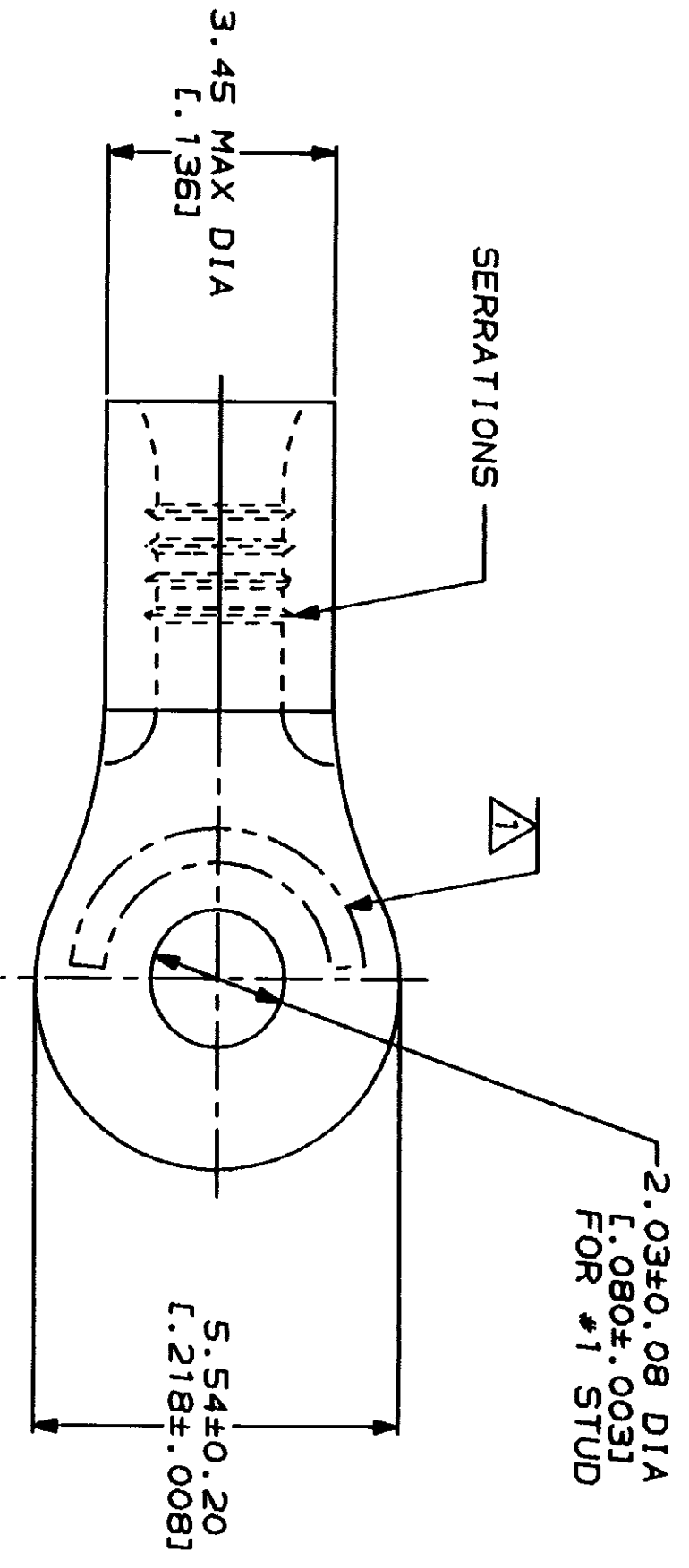


LOC	QTY	REV	ZONE	LTR	DESCRIPTION	DATE	APPD
G	14			A	REVISED PER 0720-0230-93	2/25/94	AMP

METRIC
DIMENSIONS LISTED IN mm [INCHES]

AMP WIRE RANGE 22-16 AWG STRANDED	UL E13288 Listed
AMP WIRE RANGE 22-16 AWG STRANDED	MILITARY P/N AND CLASS NOT APPLICABLE

△ STAMP AMP 22-18* APPROX AS SHOWN
22-16 TERMINALS ARE STAMPED 22-18 IN
ACCORDANCE WITH MILITARY SPECIFICATION
MIL-T-7928, COMMERCIAL WIRE RANGE IS 22-16



AMP INCORPORATED
CUSTOMER SERVICE SYSTEMS

FOR ADDITIONAL PRODUCT INFORMATION OR COPIES OF DRAWINGS AND TECHNICAL DOCUMENTS
PRODUCT INFORMATION CENTER
1-800-522-6752

FOR APPLICATION TOOLING INFORMATION
TOOLING ASSISTANCE CENTER
1-800-722-1111

FOR ORDER ENTRY
1-800-526-5142

MAX RECOMMENDED OPERATING TEMPERATURE:
170°C MAX

VOLTAGE RATING:
NOT APPLICABLE

WIRE CROSS SECTIONAL AREA RANGE:
0.26-1.65mm² [509-3,260] CIR MILS
STRANDED

THIS DRAWING IS A CUSTOMER SERVICE DRAWING FOR THE CUSTOMER'S INFORMATION AND THE COMPANY ASSUMES NO LIABILITY FOR THE CORRECTNESS OF THE INFORMATION SHOULD BE CONSULTED FOR THE LATEST REVISIONS.

DO NOT SCALE PRINT.
DIMENSIONS SPECIFIED IN PARENT DIMENSIONS ON 1.
2 PLG DEC # -
3 PLG DEC # -
ANGLES -

MATERIAL
COPPER PER
ASTM B-152
ANNEALED

FINISH
TIN PLATE
0.00254[L.000100] MIN
THK PER MIL-T-10727

DR 1-27-93
TA BIRKMAN
CHK 1-27-93
DA PATTERSON
APPD 1-27-93
DE MILLER
APPD 1-27-93
JL HECKLEY
PRODUCT SPEC

AMP
AMP Incorporated
Harrisburg, PA 17105-3508

TERMINAL, RING TONGUE,
BUDGET

APPLICATION SPEC
SIZE
CAGE CODE
00779
DRAWING NO
G-31087

SCALE 10:1
SHEET 1 OF 1

31087
PART NO

CUSTOMER DRAWING

单击下面可查看定价，库存，交付和生命周期等信息

[>>TE Connectivity\(泰科\)](#)