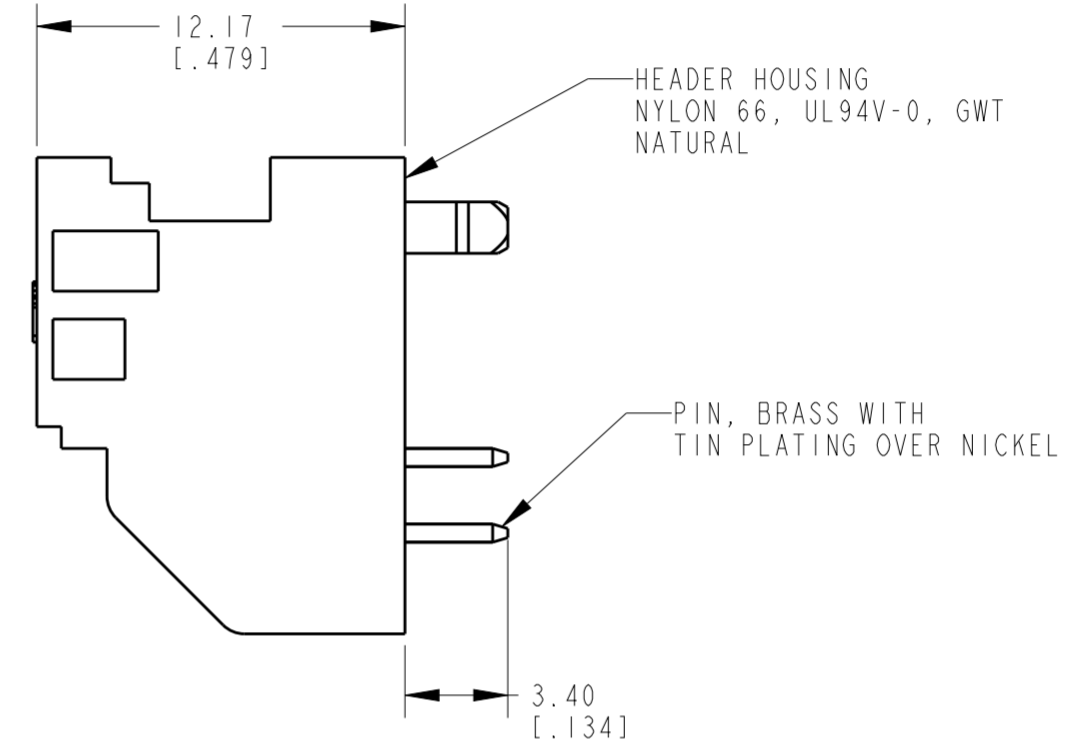
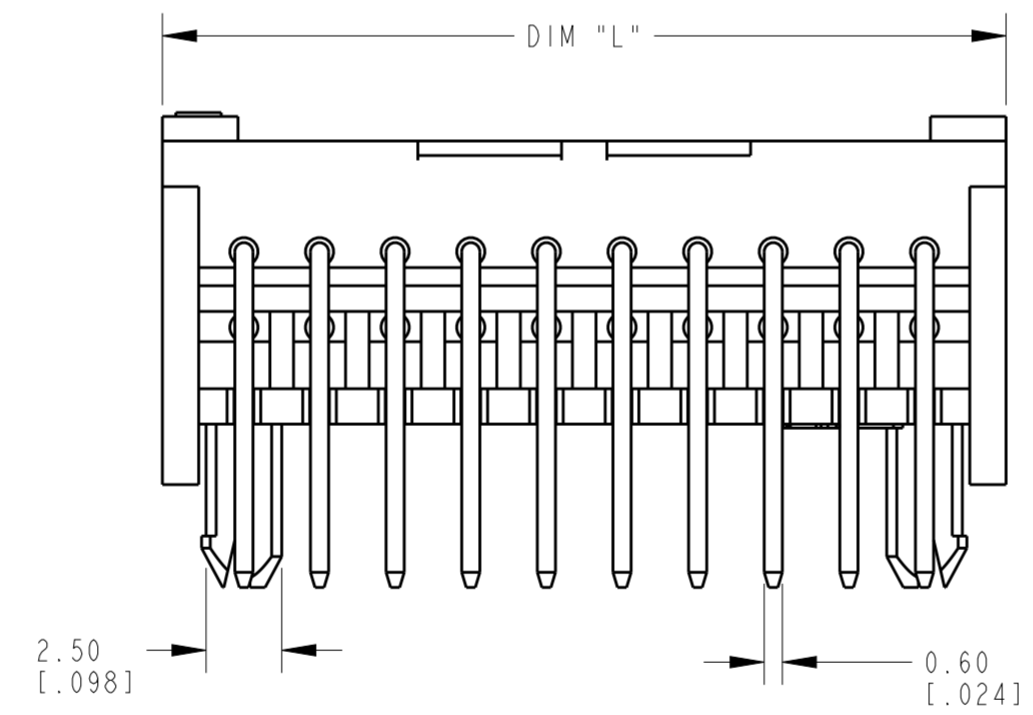
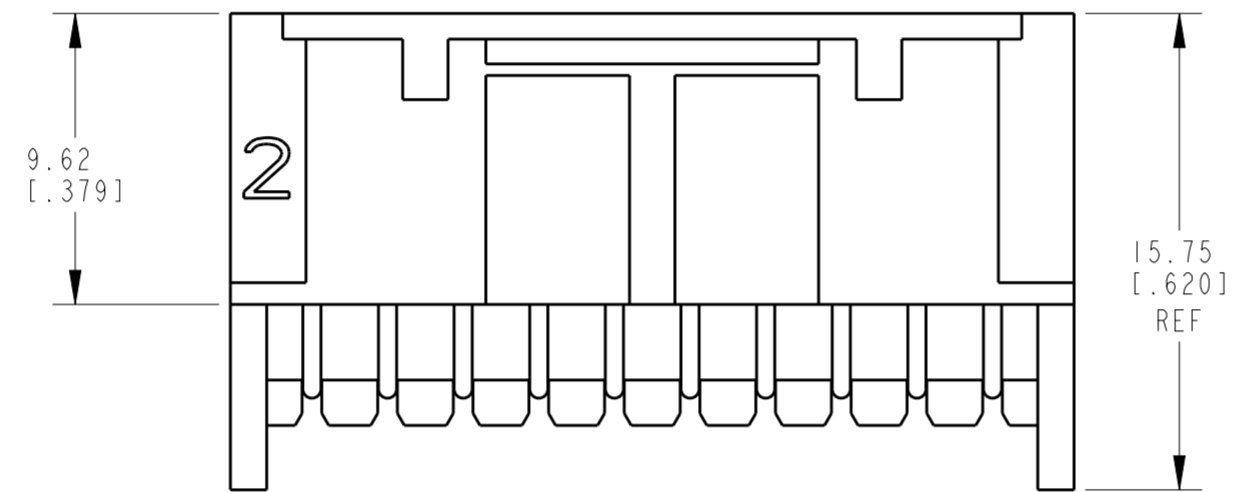
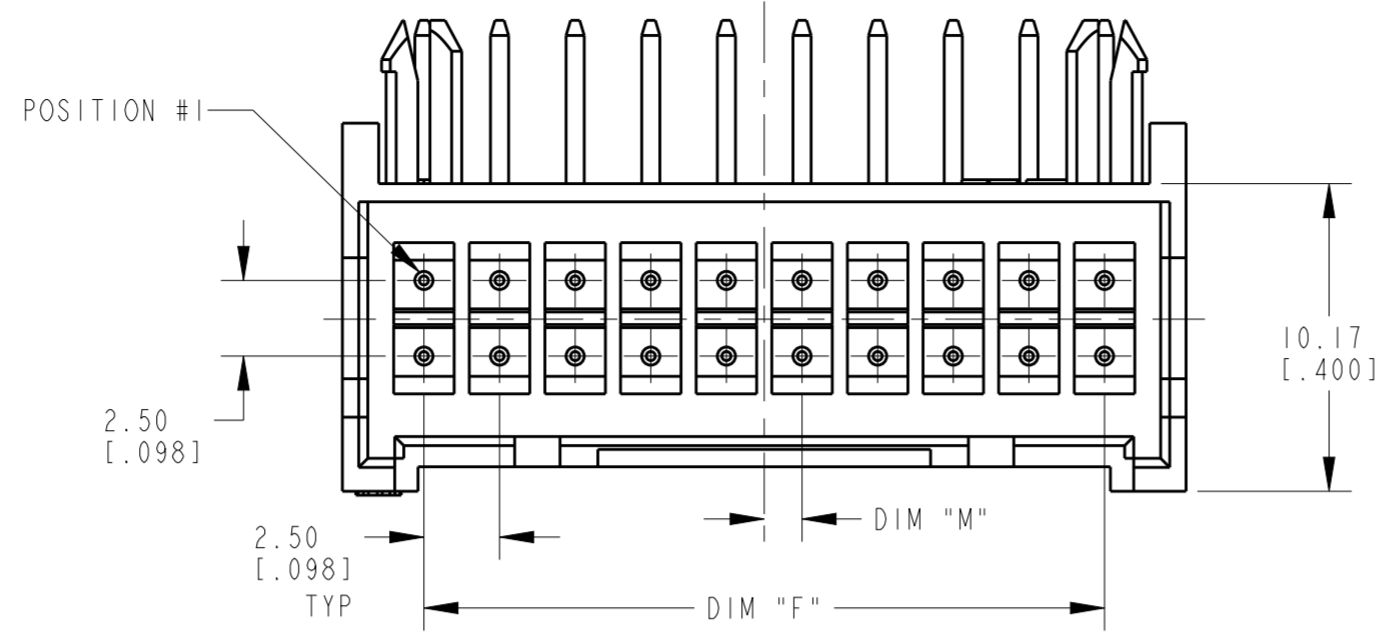
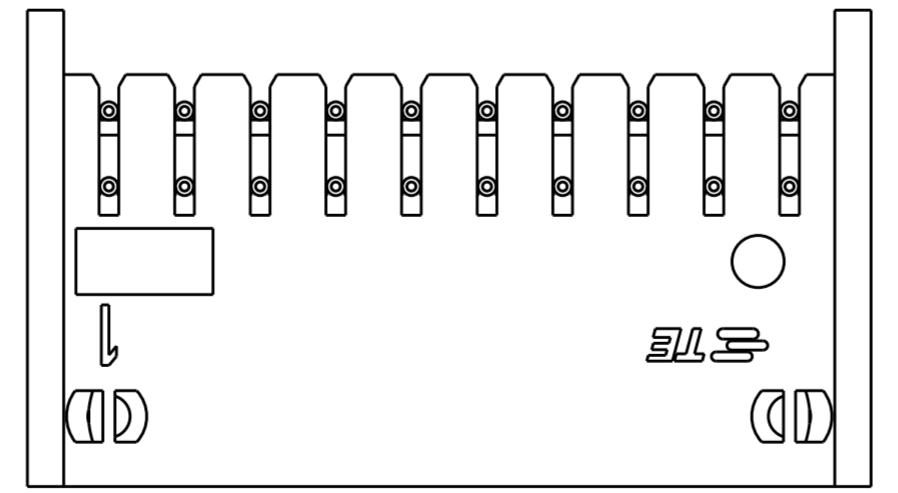
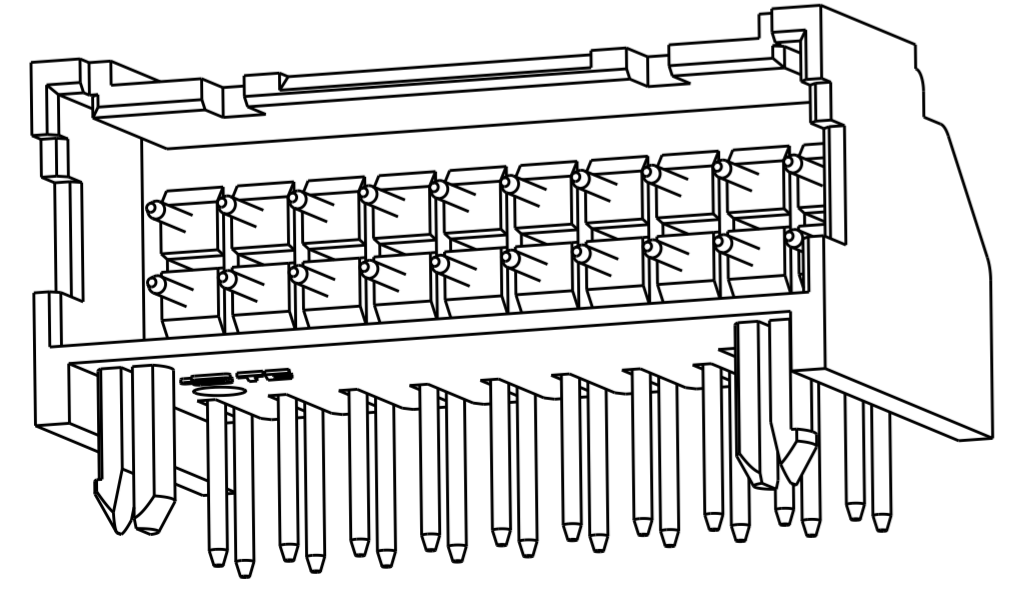


THIS DRAWING IS UNPUBLISHED. RELEASED FOR PUBLICATION 20
 © COPYRIGHT 20 ALL RIGHTS RESERVED.

| REVISIONS | | | | | | | |
|-----------|------|---|-----|----------------------------|---------|-----|------|
| LOC | DIST | P | LTR | DESCRIPTION | DATE | DWN | APVD |
| AF | 50 | | A | RELEASED PER ECO-15-000344 | 14JAN15 | JR | KR |



| | | | | | |
|-------------|-----------------------|---------------|---------------|-----------------|-------------|
| 1.25 [.049] | 2 | 47.50 [1.870] | 52.89 [2.083] | 40 | 4-1969574-0 |
| 0.00 | 2 | 45.00 [1.772] | 50.39 [1.985] | 38 | 3-1969574-8 |
| 1.25 [.049] | 2 | 42.50 [1.673] | 47.89 [1.886] | 36 | 3-1969574-6 |
| 0.00 | 2 | 40.00 [1.575] | 45.39 [1.788] | 34 | 3-1969574-4 |
| 1.25 [.049] | 2 | 37.50 [1.477] | 42.89 [1.689] | 32 | 3-1969574-2 |
| 0.00 | 2 | 35.00 [1.378] | 40.39 [1.591] | 30 | 3-1969574-0 |
| 1.25 [.049] | 2 | 32.50 [1.280] | 37.89 [1.492] | 28 | 2-1969574-8 |
| 0.00 | 2 | 30.00 [1.181] | 35.39 [1.394] | 26 | 2-1969574-6 |
| 1.25 [.049] | 2 | 27.50 [1.083] | 32.89 [1.295] | 24 | 2-1969574-4 |
| 0.00 | 2 | 25.00 [.984] | 30.39 [1.197] | 22 | 2-1969574-2 |
| 1.25 [.049] | 2 | 22.50 [.886] | 27.89 [1.098] | 20 | 2-1969574-0 |
| 0.00 | 2 | 20.00 [.787] | 25.39 [1.000] | 18 | 1-1969574-8 |
| 1.25 [.049] | 1 | 17.50 [.689] | 22.89 [.901] | 16 | 1-1969574-6 |
| 0.00 | 1 | 15.00 [.590] | 20.39 [.803] | 14 | 1-1969574-4 |
| 1.25 [.049] | 1 | 12.50 [.492] | 17.89 [.704] | 12 | 1-1969574-2 |
| 0.00 | 1 | 10.00 [.394] | 15.39 [.606] | 10 | 1-1969574-0 |
| 1.25 [.049] | 1 | 7.50 [.295] | 12.89 [.507] | 8 | 1969574-8 |
| DIM "M" | NO. OF LATCH CUT-OUTS | DIM "F" | DIM "L" | NO. OF POSITION | PART NO. |



THIS DRAWING IS A CONTROLLED DOCUMENT.

DWN: H.C. CANTER 05OCT2012
 CHK: K.A. RANDOLPH 13FEB13
 APVD: K.A. RANDOLPH 13FEB13

STE TE Connectivity

NAME: ASSEMBLY, PIN HEADER, EP 2.5, HORIZONTAL DUAL ROW

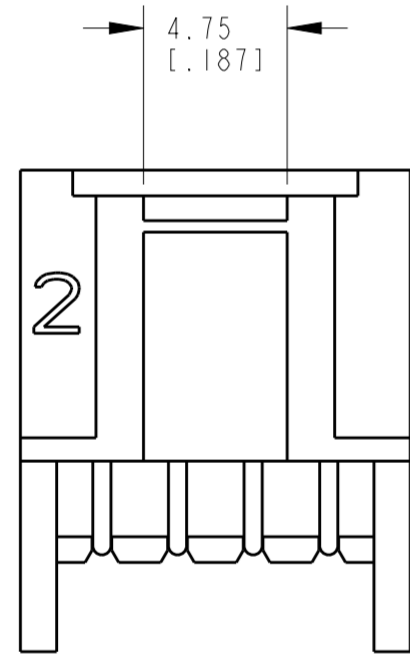
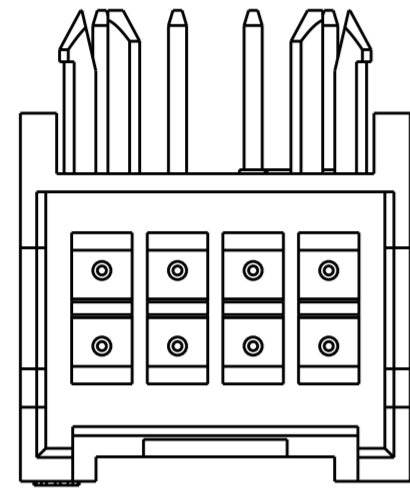
SIZE: A2 CAGE CODE: 00779 DRAWING NO: C-1969574 RESTRICTED TO: -

MATERIAL: - DIMENSIONS: mm [INCHES] TOLERANCES UNLESS OTHERWISE SPECIFIED: 0 PLC ±, 1 PLC ±, 2 PLC ±0.25 [.010], 3 PLC ±, 4 PLC ±, ANGLES ±, FINISH -

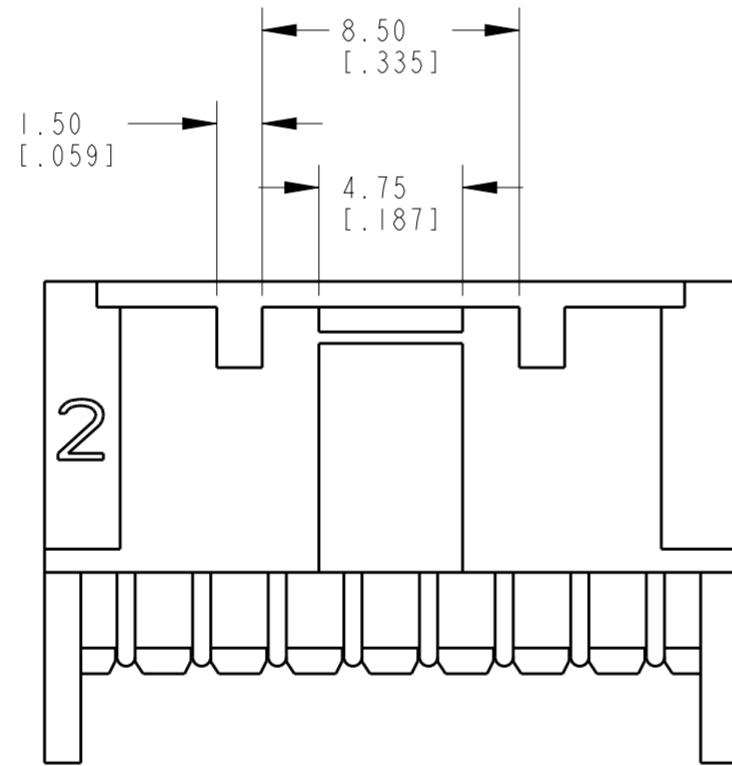
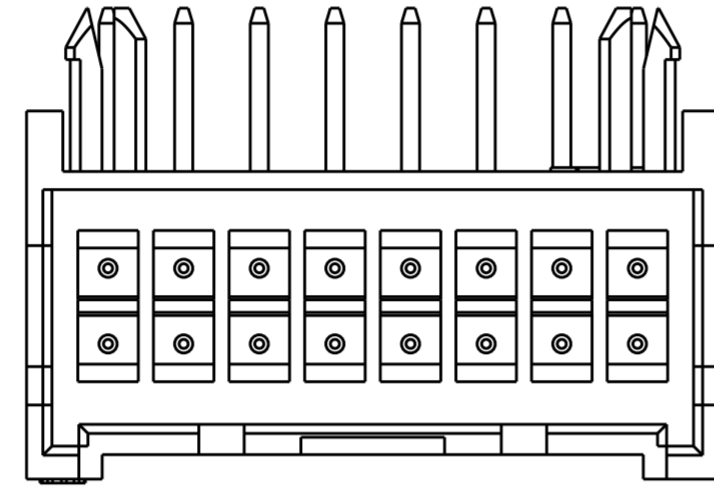
Customer Drawing SCALE: 4:1 SHEET 1 OF 2 REV A

THIS DRAWING IS UNPUBLISHED. RELEASED FOR PUBLICATION 20
 © COPYRIGHT 20 ALL RIGHTS RESERVED.

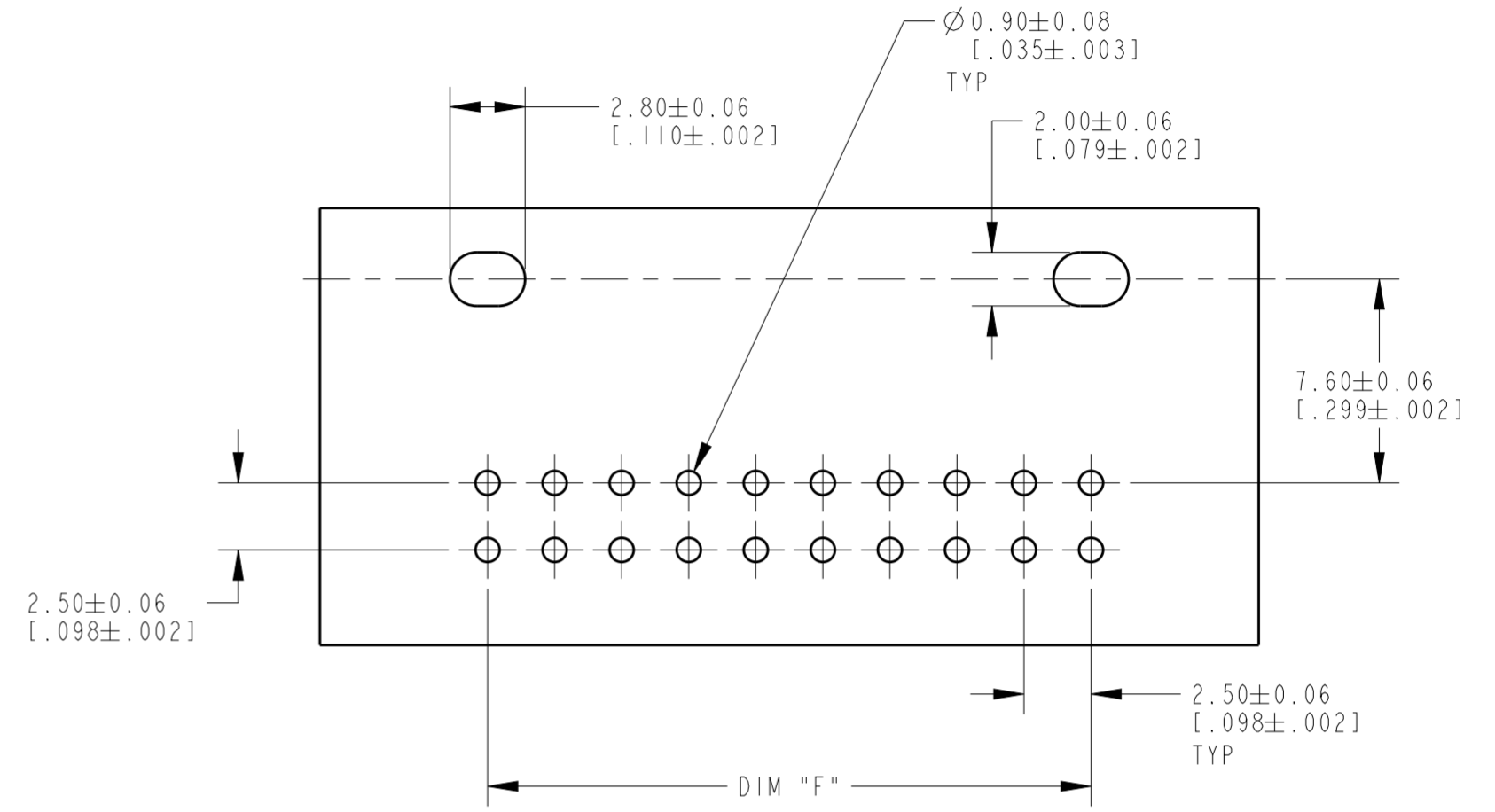
| LOC | DIST | REVISIONS | | | |
|-----|------|-------------|------|-----|------|
| P | LTR | DESCRIPTION | DATE | DWN | APVD |
| AF | 50 | SEE SHEET 1 | - | - | - |
| | | | | | |
| | | | | | |




SINGLE LATCH DETAIL
 1969574-8 SHOWN HERE
 THESE DIM'S ARE FOR THE
 1969574-8 AND 1-1969574-0



SINGLE LATCH DETAIL
 1-1969574-6 SHOWN HERE
 THESE DIM'S ARE FOR THE
 1-1969574-2 THRU 4-1969574-0



RECOMMENDED PCB LAYOUT

| | | | | |
|--|----------|----------------------------------|---|---------------|
| THIS DRAWING IS A CONTROLLED DOCUMENT. | | DWN H.C. CANTER 05OCT2012 |  TE Connectivity | |
| DIMENSIONS: mm [INCHES] | | CHK K.A. RANDOLPH 13FEB13 | | |
| TOLERANCES UNLESS OTHERWISE SPECIFIED: | | APVD K.A. RANDOLPH 13FEB13 | NAME ASSEMBLY, PIN HEADER, EP 2.5, HORIZONTAL DUAL ROW | |
| 0 PLC ± | 1 PLC ± | PRODUCT SPEC | SIZE | CAGE CODE |
| 2 PLC ±0.25 [0.010] | 3 PLC ± | APPLICATION SPEC | A2 | 00779 |
| 4 PLC ± | ANGLES ± | WEIGHT | DRAWING NO | RESTRICTED TO |
| FINISH | | - | C-1969574 | - |
| MATERIAL | | Customer Drawing | SCALE 4:1 | SHEET 2 OF 2 |
| | | | | REV A |

单击下面可查看定价，库存，交付和生命周期等信息

[>>TE Connectivity\(泰科\)](#)