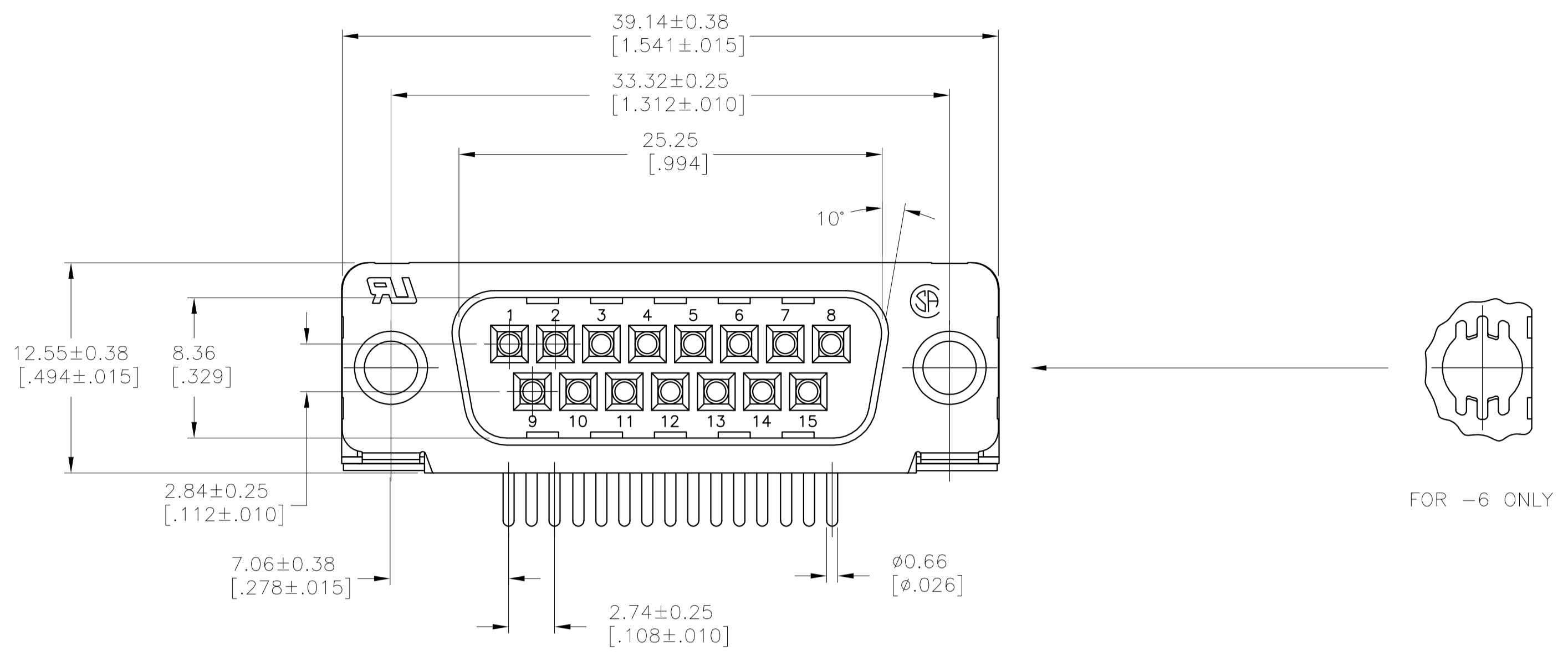


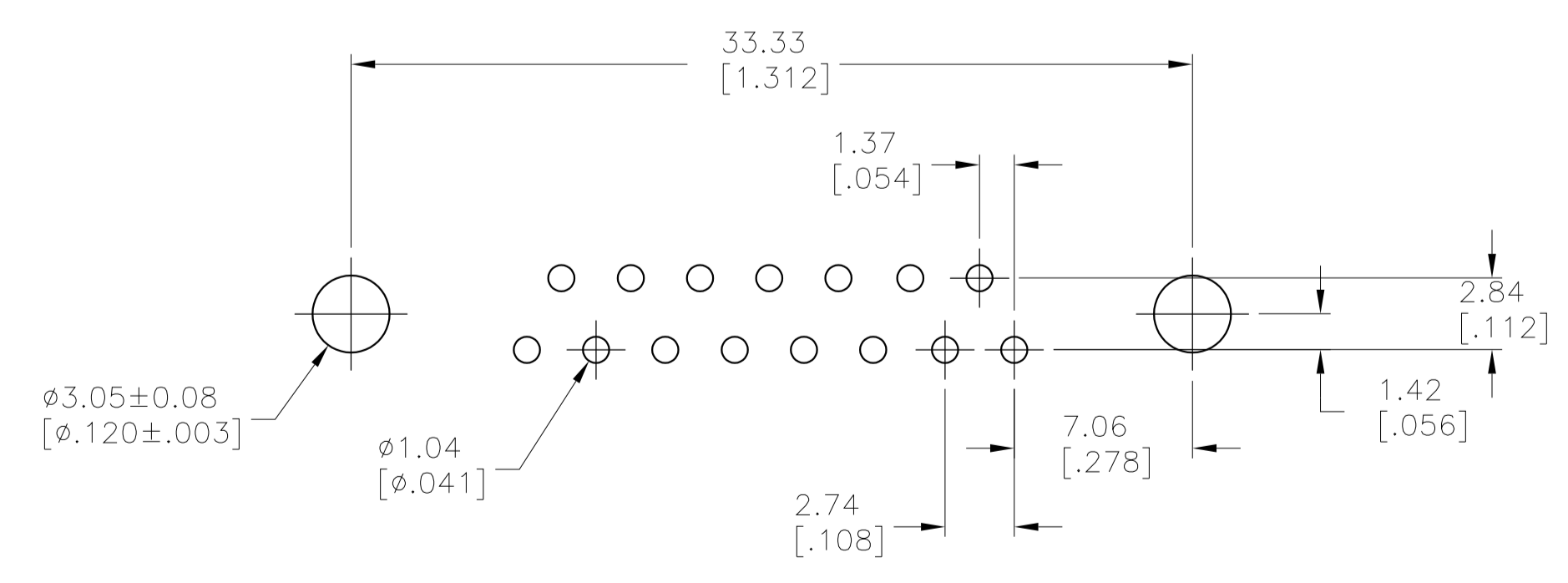
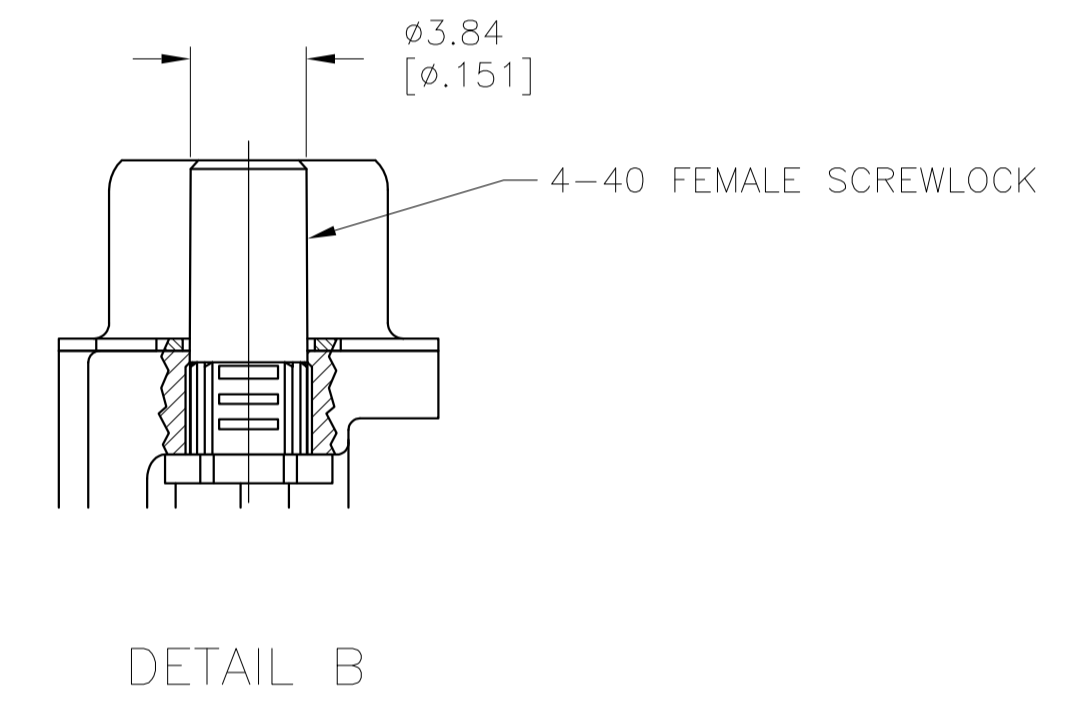
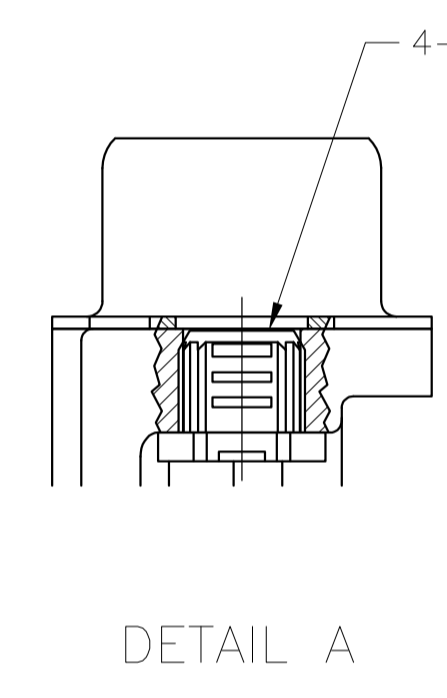
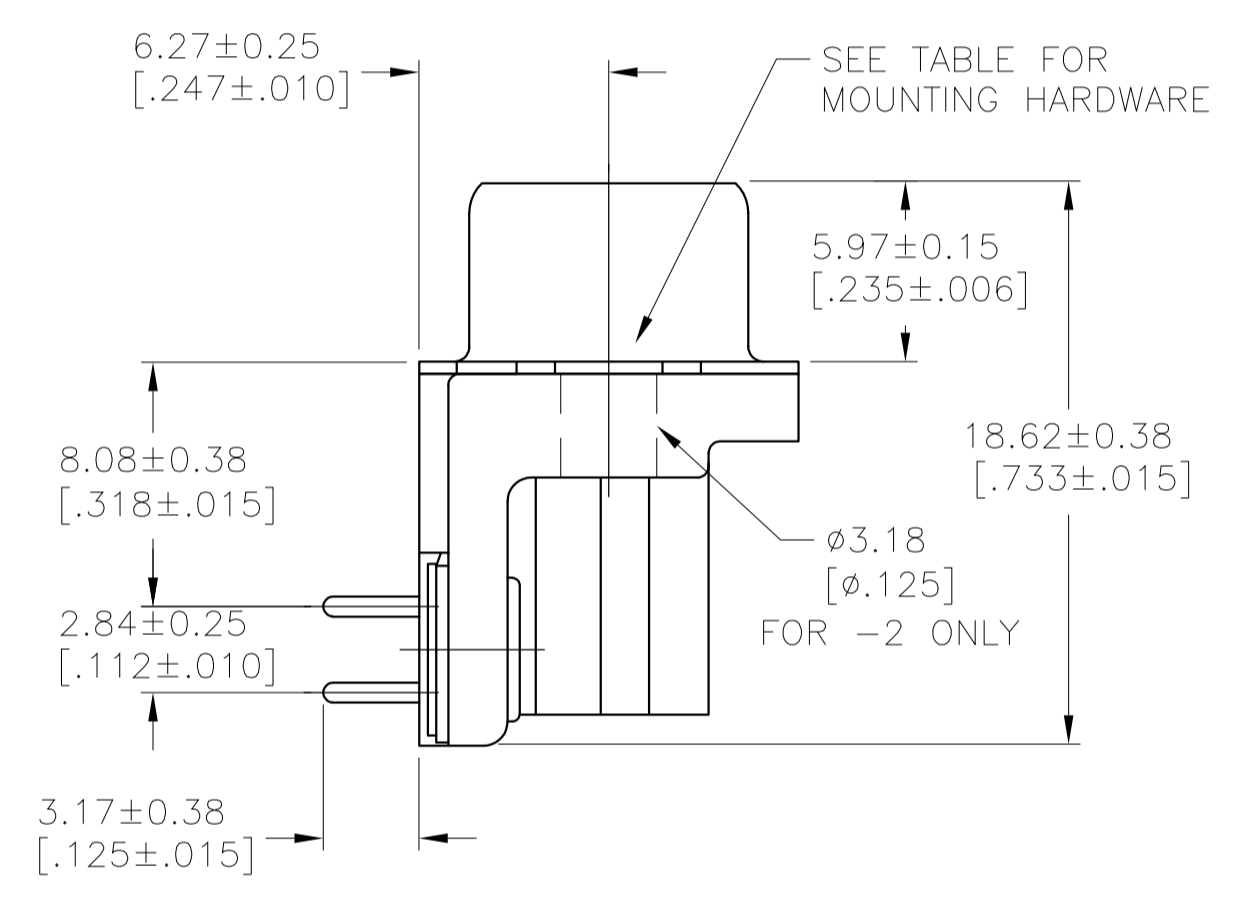
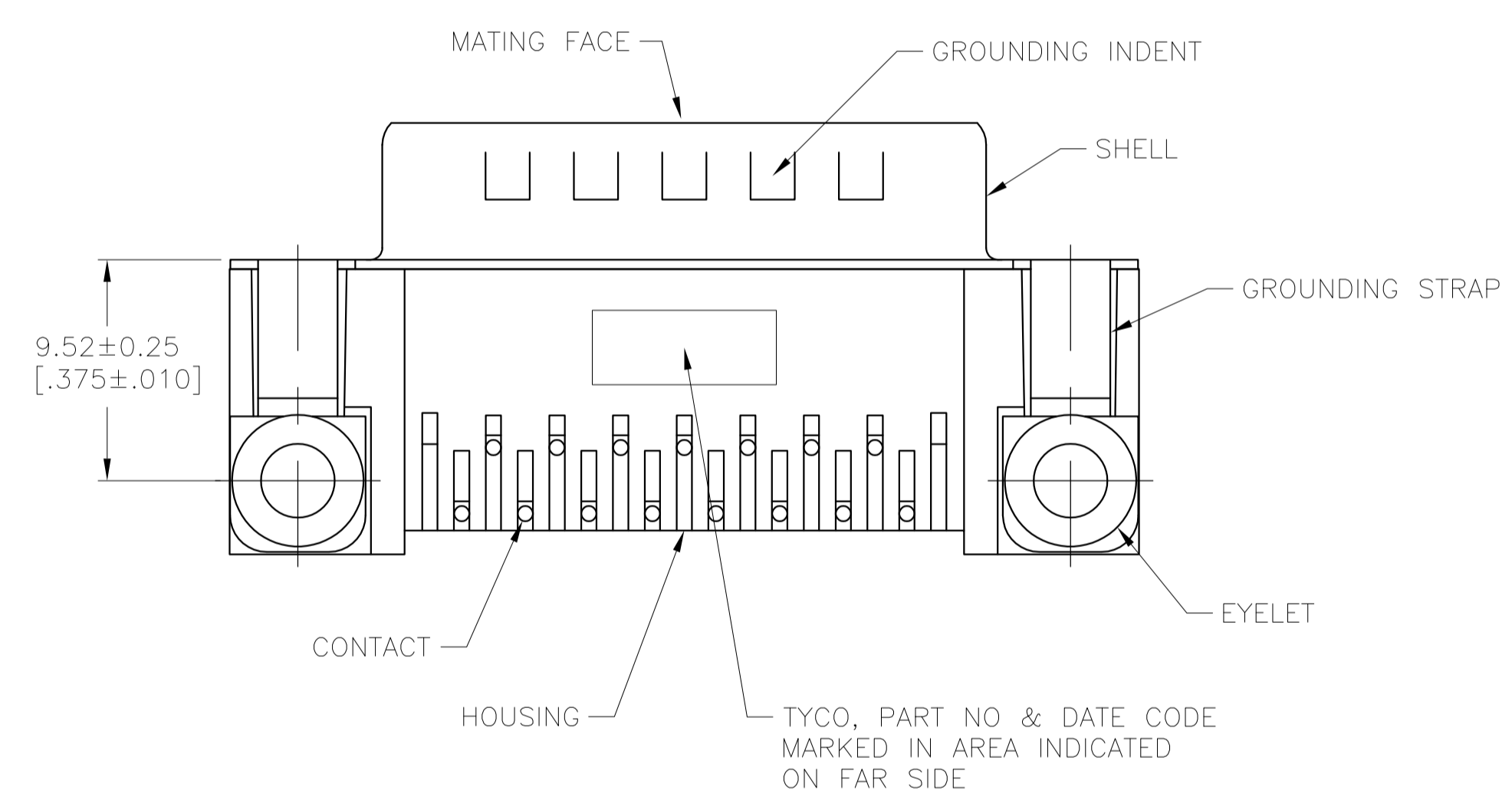
LOC		DIST		REVISIONS			
GP	00	REV	DATE	BY	CHK	APPV	
C		REVISED PER ECO-12-022391	02JAN2013	CJV	SLB		



△ HOUSING: NYLON OR POLYESTER, FLAME RETARDANT, 94V-0 RATED, COLOR BLACK.  
 SHELL: CARBON STEEL.  
 CONTACTS: BRASS.  
 EYELETS: BRASS.  
 INSERTS: ZINC.  
 SCREWLOCKS: ZINC.

△ SHELL: 0.00254[.000100] MIN TIN OVER 0.00127[.000050] MIN COPPER.  
 CONTACTS: 0.76µm (.000030) MIN GOLD PLATE ON THE MATING SURFACES, 2.54µm (.000100) MIN TIN PLATE ON THE SOLDER END, 1.27µm (.000050) MIN NICKEL UNDERPLATE ON THE ENTIRE CONTACT  
 -OR-  
 GOLD FLASH OVER PALLADIUM-NICKEL PLATE, 0.76µm (.000030) MIN TOTAL ON THE MATING SURFACES, 2.54µm (.000100) MIN TIN PLATE ON THE SOLDER END, 1.27µm (.000050) MIN NICKEL UNDERPLATE ON THE ENTIRE CONTACT.

EYELETS: 0.00508[.000200] MIN TIN OVER COPPER FLASH.  
 INSERTS: CLEAR CHROMATE.  
 SCREWLOCKS: CLEAR CHROMATE.



SEE DETAIL B	5747236-6
SEE DETAIL A	5747236-4
NONE	5747236-2
MOUNTING HARDWARE	PART NUMBER

**COPYRIGHT 2005  
 TYCO ELECTRONICS CORP  
 ALL RIGHTS RESERVED**

THIS DRAWING IS A CONTROLLED DOCUMENT. DIMENSIONING AND TOLERANCING PER ASME Y14.5M-2009		DIN	J. GERACE	14JAN05
DIMENSIONS: mm(INCHES)		CHK	S. BOLASH	14JAN05
TOLERANCES UNLESS OTHERWISE SPECIFIED:		APPD	M. WALMSLEY	14JAN05
0. PLC	± .005	NAME	PLUG ASSEMBLY, SIZE 2, 15 POS, RIGHT ANGLE, FRONT METAL SHELL, 8.08[.318] SERIES, AMPLIMITE HD-20	
1. PLC	± .005	PRODUCT SPEC	108-40025	
2. PLC	± .005	APPLICATION SPEC	114-40010	
3. PLC	± 0.13(.005)	SIZE	A1	
4. PLC	± .005	SCALE	4:1	
ANGLES	± .2°	WEIGHT	-	
MATERIAL	FINISH	CUSTOMER DRAWING	SCALE	SHEET 1 OF 1
		REV	C	

单击下面可查看定价，库存，交付和生命周期等信息

[>>TE Connectivity\(泰科\)](#)