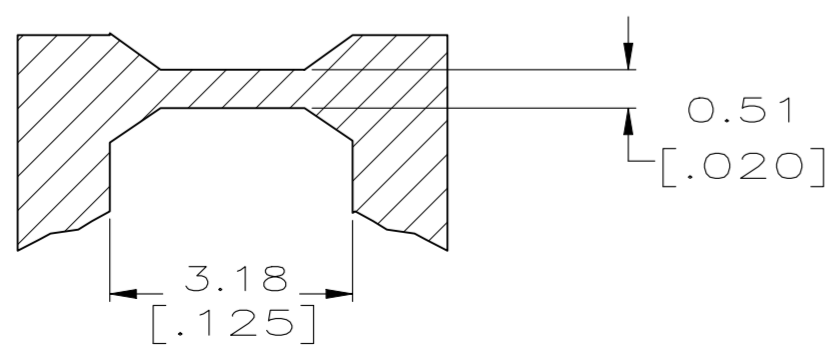
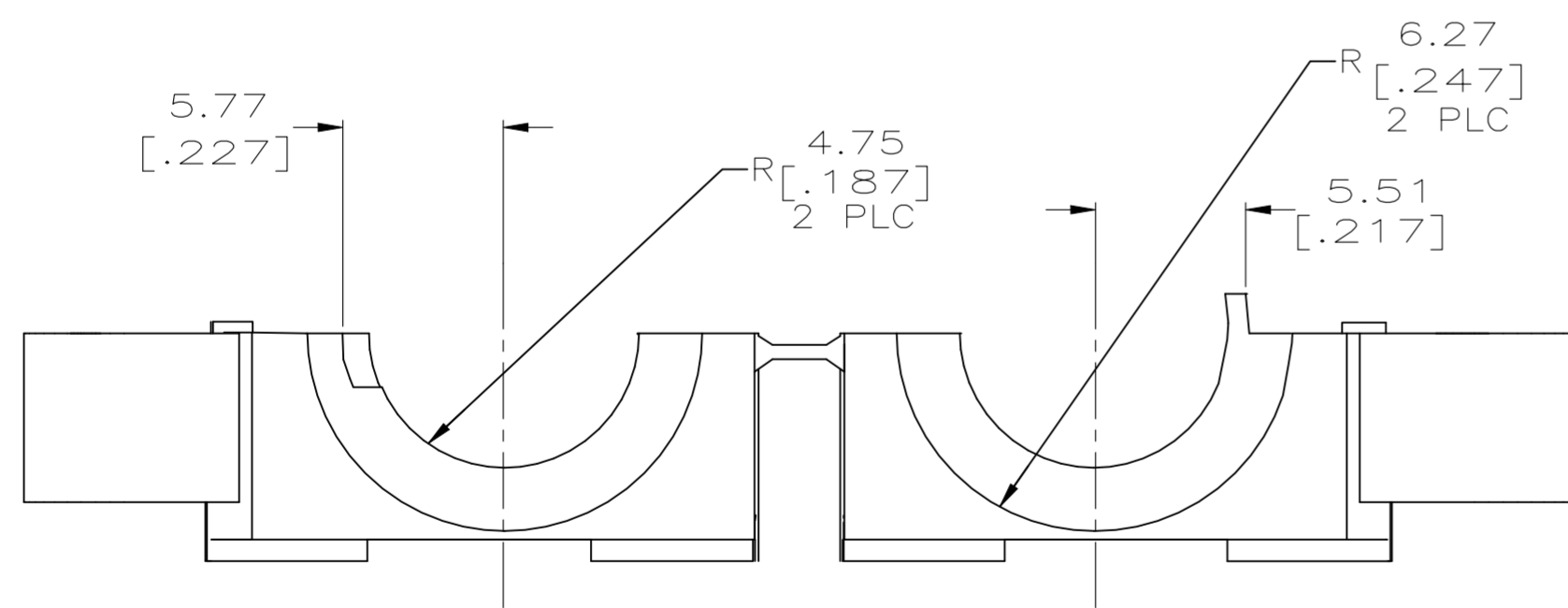
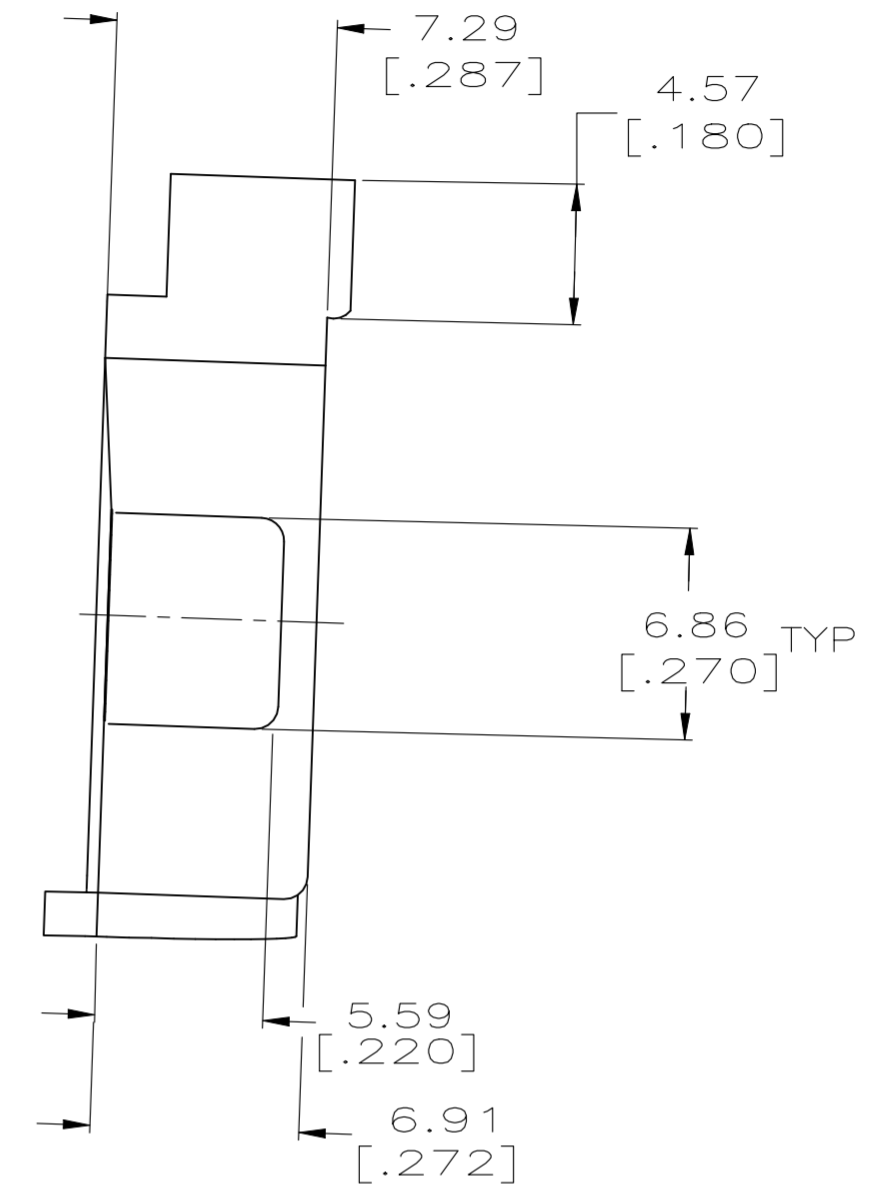
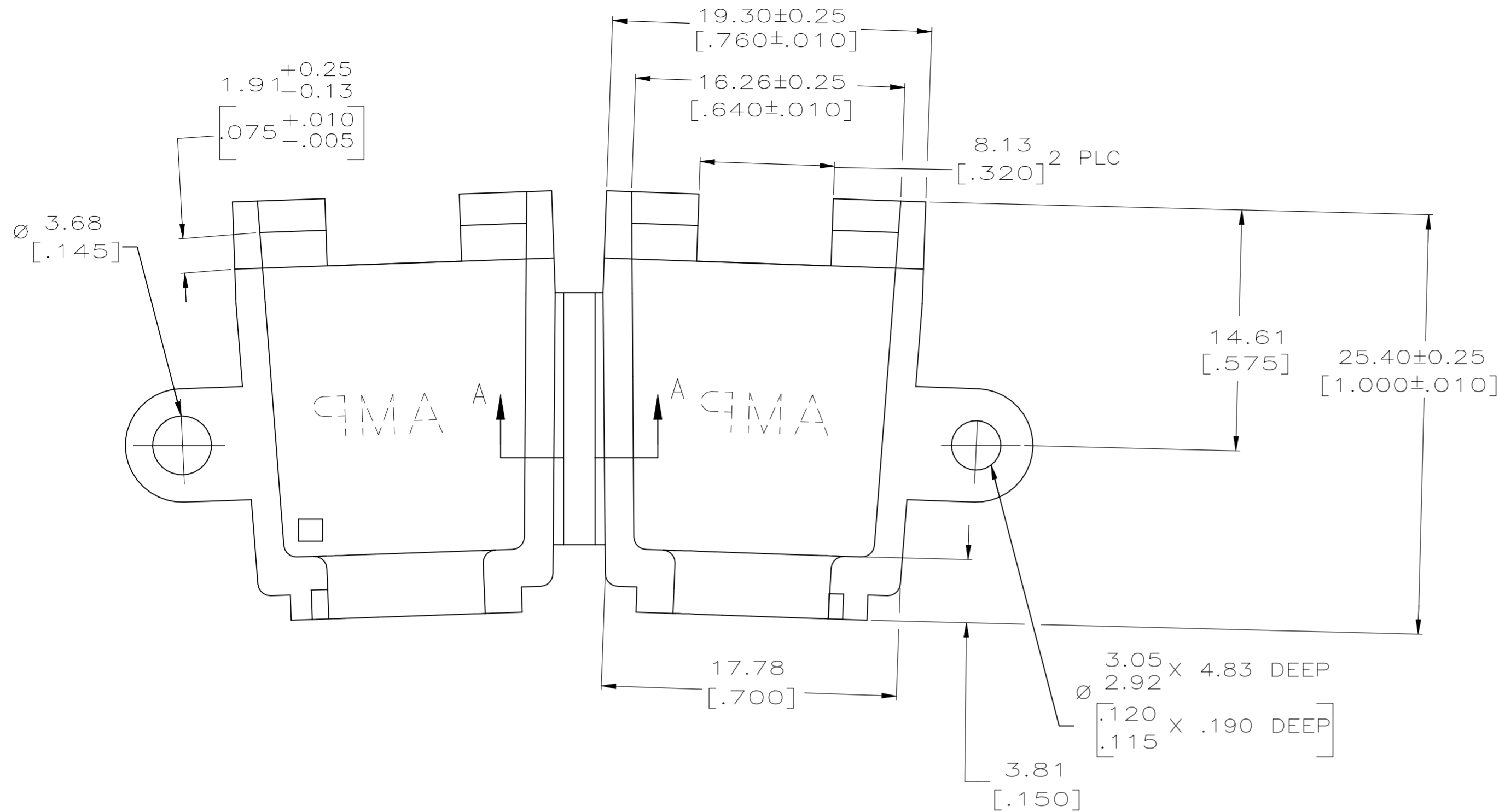
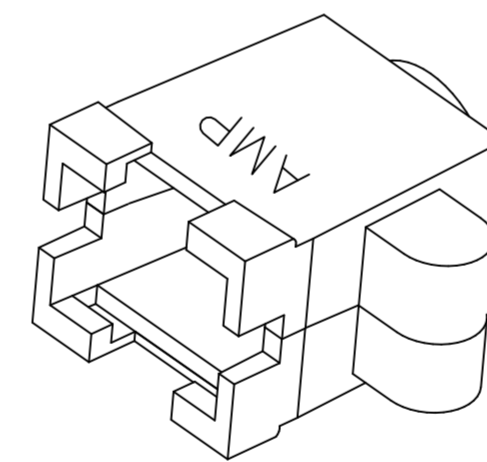


REVISIONS					
P	LTR	DESCRIPTION	DATE	DWN	APVD
L		ECO-21-006913	04OCT2021	RK	MZ



SECTION A-A
SCALE 10:1



3-DIMENSIONAL MODEL
NTS

1. REQUIRES A #6 PAN HEAD TYPE "B" SELF TAPPING PAN HEAD SCREW, 9.53 [.375] LONG.
2. DIMENSIONS IN BRACKETS ARE IN INCHES.
3. HOUSING MATERIAL: PA66, BLACK, UL 94 V-0 RATED
4. HOUSING MATERIAL: PA66, BLACK, UL 94 V-2 RATED

4	1-350373-9
3	350373-1
MATERIAL	PART NO

THIS DRAWING IS A CONTROLLED DOCUMENT.		DWN	K. SALMON	5-3-93
DIMENSIONS: mm[INCHES]		CHK	R. SWING	5-3-93
TOLERANCES UNLESS OTHERWISE SPECIFIED:		APVD	W. LONG	-
0 PLC	± -	PRODUCT SPEC	NAME	
1 PLC	± -	APPLICATION SPEC	STRAIN RELIEF, HINGED, 6 POSITION	
2 PLC	± 0.13[.005]	WEIGHT	-	-
3 PLC	± -	SCALE	A2	00779
4 PLC	± -	CUSTOMER DRAWING	C=350373	350373-1
ANGLES	± -	SCALE	4:1	SHEET 1 OF 1
FINISH	-	REV	L	

单击下面可查看定价，库存，交付和生命周期等信息

[>>TE Connectivity\(泰科\)](#)